



**BUILDING CODE COMPLIANCE OFFICE (BCCO)
PRODUCT CONTROL DIVISION**

**MIAMI-DADE COUNTY, FLORIDA
METRO-DADE FLAGLER BUILDING
140 WEST FLAGLER STREET, SUITE 1603
MIAMI, FLORIDA 33130-1563
(305) 375-2901 FAX (305) 375-2908
www.buildingcodeonline.com**

NOTICE OF ACCEPTANCE (NOA)

**NR Architectural Products
4348 Westroads Drive
West Palm Beach, FL.32407**

SCOPE:

This NOA is being issued under the applicable rules and regulations governing the use of construction materials. The documentation submitted has been reviewed by Miami-Dade County Product Control Division and accepted by the Board of Rules and Appeals (BORA) to be used in Miami Dade County and other areas where allowed by the Authority Having Jurisdiction (AHJ).

This NOA shall not be valid after the expiration date stated below. The Miami-Dade County Product Control Division (In Miami Dade County) and/or the AHJ (in areas other than Miami Dade County) reserve the right to have this product or material tested for quality assurance purposes. If this product or material fails to perform in the accepted manner, the manufacturer will incur the expense of such testing and the AHJ may immediately revoke, modify, or suspend the use of such product or material within their jurisdiction. BORA reserves the right to revoke this acceptance, if it is determined by Miami-Dade County Product Control Division that this product or material fails to meet the requirements of the applicable building code.

This product is approved as described herein, and has been designed to comply with the Florida Building Code, including High Velocity Hurricane Zone of the Florida Building Code.

DESCRIPTION: Series "6001" Aluminum Sliding Glass Doors -LMI

APPROVAL DOCUMENT: Drawing No. **07-84**, titled "series 6001 Alum Sliding Glass Doors-LMI", sheets 1 through 7 of 7, dated 10-18-07 and last revised on Feb 20, 2008, prepared by Al-Farooq Corp., signed and sealed by Dr. Humayoun Farooq, P.E., bearing the Miami-Dade County Product Control Approval stamp with the Notice of Acceptance number and Approval date by the Miami-Dade County Product Control Division.

MISSILE IMPACT RATING: Large and Small Missile Impact Resistant

LABELING: Each unit shall bear a permanent label with the manufacturer's name or logo, city, state and following statement: "Miami-Dade County Product Control Approved", unless otherwise noted herein.

RENEWAL of this NOA shall be considered after a renewal application has been filed and there has been no change in the applicable building code negatively affecting the performance of this product.

TERMINATION of this NOA will occur after the expiration date or if there has been a revision or change in the materials, use, and/or manufacture of the product or process. Misuse of this NOA as an endorsement of any product, for sales, advertising or any other purposes shall automatically terminate this NOA. Failure to comply with any section of this NOA shall be cause for termination and removal of NOA.

ADVERTISEMENT: The NOA number preceded by the words Miami-Dade County, Florida, and followed by the expiration date may be displayed in advertising literature. If any portion of the NOA is displayed, then it shall be done in its entirety.

INSPECTION: A copy of this entire NOA shall be provided to the user by the manufacturer or its distributors and shall be available for inspection at the job site at the request of the Building Official.

This NOA consists of this page 1 and evidence page E-1, as well as approval document mentioned above. The submitted documentation was reviewed by **Ishaq I. Chanda, P.E.**

**NOA No 07-1219.16
Expiration Date: April 03, 2013
Approval Date: April 03, 2008**



3/10/18

NOTICE OF ACCEPTANCE: EVIDENCE SUBMITTED

A. DRAWINGS

1. Manufacturer's die drawings and sections.
2. Drawing No. Drawing No. **07-84**, titled "series 6001 Alum Sliding Glass Doors-LMI", sheets 1 through 7 of 7, dated 10-18-07 and last revised on Feb 20, 2008, prepared by Al-Farooq Corp., signed and sealed by Dr. Humayoun Farooq, P.E.

B. TESTS

1. Test reports on 1) Air Infiltration Test, per FBC, TAS 202-94
2) Uniform Static Air Pressure Test, Loading per FBC, TAS 202-94
3) Water Resistance Test, per FBC, TAS 202-94
4) Forced Entry Resistant Test per FBC, TAS 202-94
5) Large Missile Impact Test, per FBC, TAS 201-94
6) Cyclic Wind Pressure Loading, per FBC, TAS 203-94

Along with marked-up drawings and installation diagram of an alum sliding Glass door, prepared by Hurricane Testing Laboratory, LLC, Test Report No. 0242-0517-07(LM) dated 10/17/07, signed and sealed by Vinu J. Abraham, P.E.

C. CALCULATIONS

1. Anchor verification calculations and structural analysis and comparative analysis, dated 11-27-2007, prepared by Al-Farooq Corp., signed and sealed by Dr. Humayoun Farooq, P.E.
2. Glazing complies w/ ASTM E-1300-98 & -02

D. QUALITY ASSURANCE BY:

1. Miami-Dade County Building Code Compliance Office (BCCO)

E. MATERIAL CERTIFICATIONS

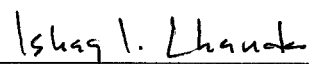
1. Notice of Acceptance No. **07-1116.04** issued to E.I. Dupont De Nemours & CO., Inc. for "DuPont SentryGlas ® Plus", expiring on 01/14/2012.

F. STATEMENTS

1. Statement letter of conformance and "No financial interest", dated 10/30/07, issued by Al-Farooq Corp., signed and sealed by Dr. Humayoun Farooq, P.E.
2. Addendum letter dated 02/20/08 issued by Hurricane Testing Lab.
3. Laboratory compliance statements, part of above referenced test reports.

G. OTHER

1. None.



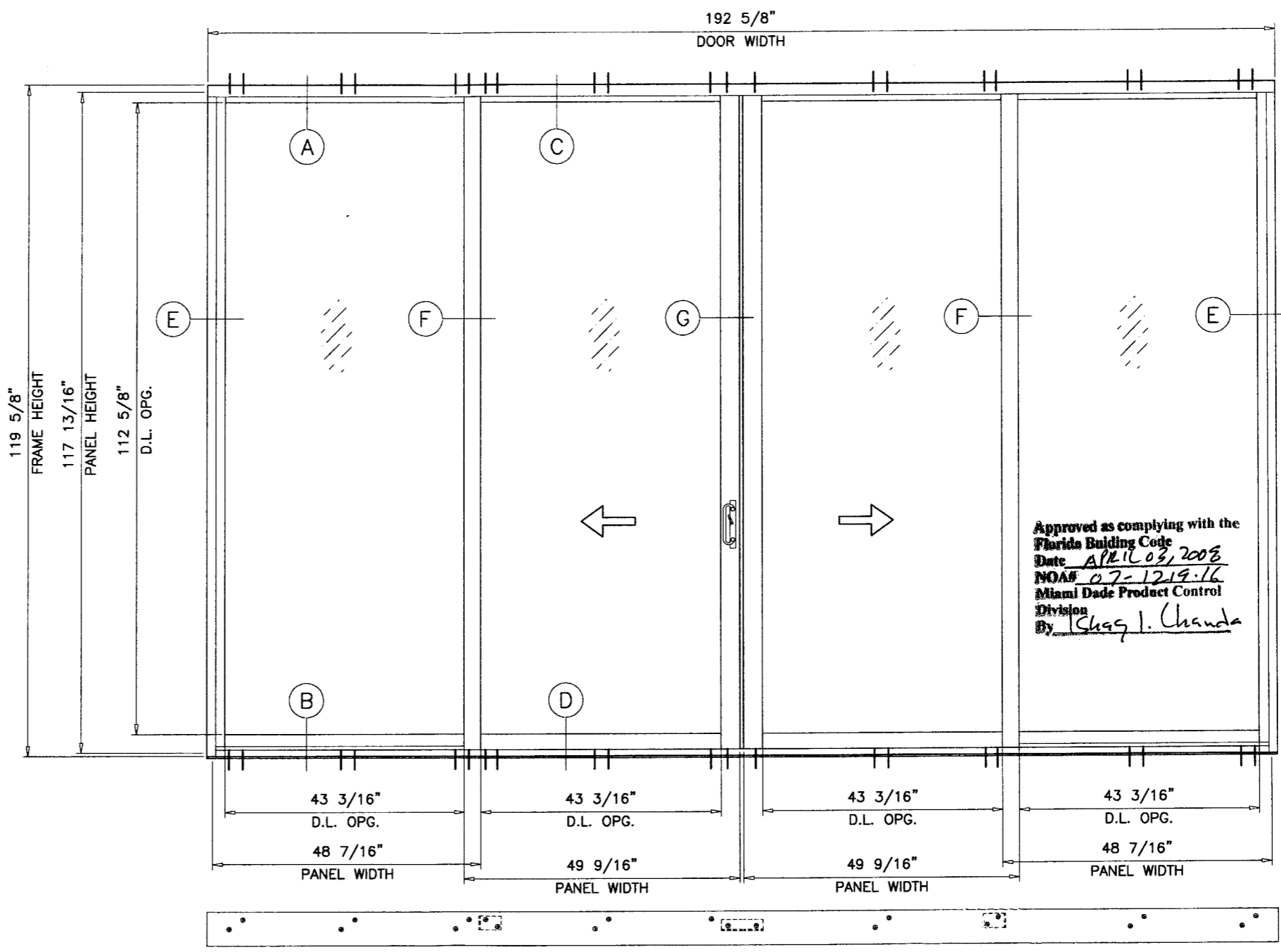
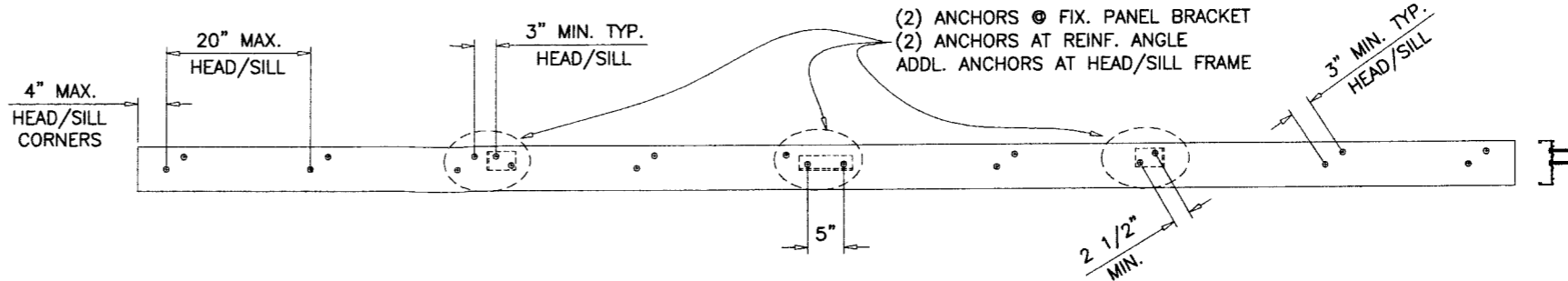
Ishaq I. Chanda, P.E.

Product Control Examiner

NOA No 07-1219.16

Expiration Date: April 03, 2013

Approval Date: April 03, 2008



DOORS GLAZED WITH LAMINATED GLASS RATED FOR LARGE MISSILE IMPACT AND REQUIRE NO SHUTTERS.

SERIES-6001 ALUMINUM SLIDING GLASS DOOR

DESIGN LOAD RATING FOR DOORS TO BE AS PER CHART SHOWN ON SHEET 2.

THIS PRODUCT HAS BEEN DESIGNED AND TESTED TO COMPLY WITH THE REQUIREMENTS OF THE FLORIDA BUILDING CODE 2004 EDITION INCLUDING HIGH VELOCITY HURRICANE ZONE (HVHZ).

1BY OR 2BY WOOD BUCKS BY OTHERS, MUST BE ANCHORED PROPERLY TO TRANSFER LOADS TO THE STRUCTURE.

ANCHORS SHALL BE AS LISTED, SPACED AS SHOWN ON DETAILS, ANCHORS EMBEDMENT TO BASE MATERIAL SHALL BE BEYOND WALL DRESSING OR STUCCO. ANCHORING OR LOADING CONDITIONS NOT SHOWN IN THESE DETAILS ARE NOT PART OF THIS APPROVAL.

A LOAD DURATION INCREASE IN ALLOWABLE STRESS IS USED IN DESIGN OF ANCHORS INTO WOOD ONLY.

MATERIALS INCLUDING BUT NOT LIMITED TO STEEL/METAL SCREWS, THAT COME INTO CONTACT WITH OTHER DISSIMILAR MATERIALS SHALL MEET THE REQUIREMENTS OF 2004 FLORIDA BLDG. CODE SECTION 2003.8.4.

TYPICAL ELEVATION
TESTED UNIT

LAMINATED GLASS
LARGE MISSILE IMPACT

UNANCHORED JAMBS COMPLY WITH DEFLECTION OF L/180 AND ALLOWABLE STRESS LIMITATION

Engr. DR. HIJMAYOUN FAROOQ
STRUCTURES
FLA. PE # 16557
C.A.N. 3538

FEB 21 2008

Approved as complying with the
Florida Building Code
Date APR 11 03, 2008
NOAH 07-1219-16
Miami Dade Product Control
Division
By Chag I. Chanda

af c
AL-FAROOQ CORPORATION
ENGINEERS & PRODUCT DEVELOPMENT
1235 S.W. 87 AVE
MIAMI, FLORIDA 33174
TEL. (305) 264-8100 FAX. (305) 262-6978
COMP-ANL\W07-84NR

SERIES-6001 ALUM SLIDING GLASS DOOR (L.M.I.)
NR ARCHITECTURAL PRODUCTS
4348 WESTROADS DRIVE
WEST PALM BEACH, FL. 33407
TEL. (561) 844-1121 FAX. (561) 844-6131

no	date	description	by	REV. PER BCCO COMMENTS
A	02.15.08			

date: 10-18-07
scale: 1/2"=1'-0"
dr. by: HAMID
chk. by:

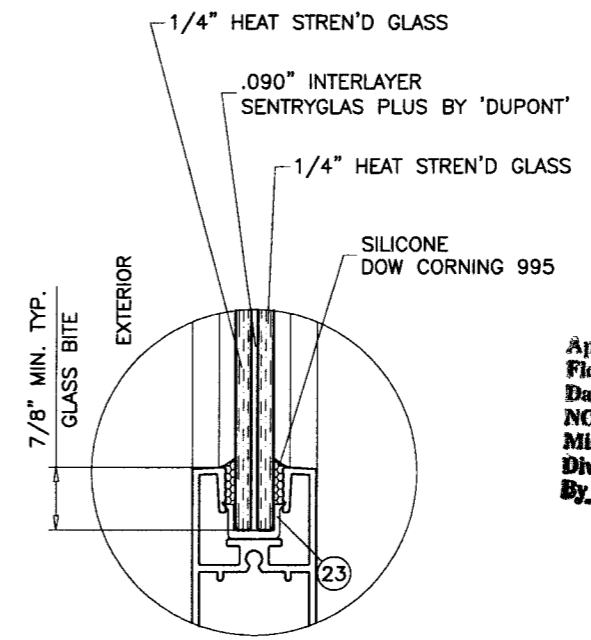
drawing no.
W07-84
sheet 1 of 7

DESIGN LOAD CAPACITY - PSF											
PANEL WIDTH NOMINAL INCHES	DOOR HEIGHT INCHES	ANCHORS TYPE 'A'			ANCHORS TYPE 'B'			ANCHORS TYPE 'C'			
		2 ANCHORS	3 ANCHORS	4 ANCHORS	2 ANCHORS	3 ANCHORS	4 ANCHORS	2 ANCHORS	3 ANCHORS	4 ANCHORS	
		EXT. (+) INT. (-)	EXT. (+) INT. (-)	EXT. (+) INT. (-)	EXT. (+) INT. (-)	EXT. (+) INT. (-)	EXT. (+) INT. (-)	EXT. (+) INT. (-)	EXT. (+) INT. (-)	EXT. (+) INT. (-)	
36	80	100.0	100.0	100.0	100.0	100.0	100.0	100.0	100.0	100.0	
42		97.4	100.0	100.0	100.0	100.0	100.0	100.0	100.0	100.0	
48		89.8	100.0	100.0	100.0	100.0	100.0	100.0	100.0	100.0	
54		84.3	100.0	100.0	100.0	100.0	100.0	100.0	100.0	100.0	
60		80.4	100.0	100.0	100.0	100.0	100.0	100.0	100.0	100.0	
36	84	100.0	100.0	100.0	100.0	100.0	100.0	100.0	100.0	100.0	
42		91.2	100.0	100.0	100.0	100.0	100.0	100.0	100.0	100.0	
48		83.8	100.0	100.0	100.0	100.0	100.0	100.0	100.0	100.0	
54		78.4	100.0	100.0	99.8	100.0	100.0	100.0	100.0	100.0	
60		74.5	100.0	100.0	94.8	100.0	100.0	100.0	100.0	100.0	
36	90	93.1	100.0	100.0	100.0	100.0	100.0	100.0	100.0	100.0	
42		83.3	100.0	100.0	100.0	100.0	100.0	100.0	100.0	100.0	
48		76.2	100.0	100.0	97.0	100.0	100.0	100.0	100.0	100.0	
54		70.9	100.0	100.0	90.3	100.0	100.0	100.0	100.0	100.0	
60		67.0	100.0	100.0	85.4	100.0	100.0	100.0	100.0	100.0	
36	96	85.9	100.0	100.0	100.0	100.0	100.0	100.0	100.0	100.0	
42		76.6	100.0	100.0	97.6	100.0	100.0	100.0	100.0	100.0	
48		69.8	100.0	100.0	88.9	100.0	100.0	100.0	100.0	100.0	
54		64.8	97.2	100.0	82.5	100.0	100.0	100.0	100.0	100.0	
60		60.9	91.4	100.0	77.6	100.0	100.0	96.0	100.0	100.0	
36	102	79.8	100.0	100.0	100.0	100.0	100.0	100.0	100.0	100.0	
42		70.9	100.0	100.0	90.3	100.0	100.0	100.0	100.0	100.0	
48		64.5	96.7	100.0	82.1	100.0	100.0	100.0	100.0	100.0	
54		59.6	89.4	100.0	75.9	100.0	100.0	93.9	100.0	100.0	
36		108	74.5	100.0	100.0	94.8	100.0	100.0	100.0	100.0	100.0
42	66.0		99.1	100.0	84.1	100.0	100.0	100.0	100.0	100.0	
48	59.9		89.8	100.0	76.2	100.0	100.0	94.3	100.0	100.0	
36	114		69.8	100.0	100.0	88.9	100.0	100.0	100.0	100.0	100.0
42			61.8	92.7	100.0	78.7	100.0	100.0	97.3	100.0	100.0
48		55.9	83.8	100.0	71.1	100.0	100.0	88.0	100.0	100.0	
36		120	65.7	98.6	100.0	83.7	100.0	100.0	100.0	100.0	100.0
42			58.0	87.1	100.0	73.9	100.0	100.0	91.4	100.0	100.0
48	52.4		78.6	100.0	66.7	100.0	100.0	82.5	100.0	100.0	

NOTE:
GLASS CAPACITIES ON THIS SHEET ARE
BASED ON ASTM E1300-02 (3 SEC. GUSTS)
AND FLORIDA BUILDING COMMISSION
DECLARATORY STATEMENT DCA05-DEC-219

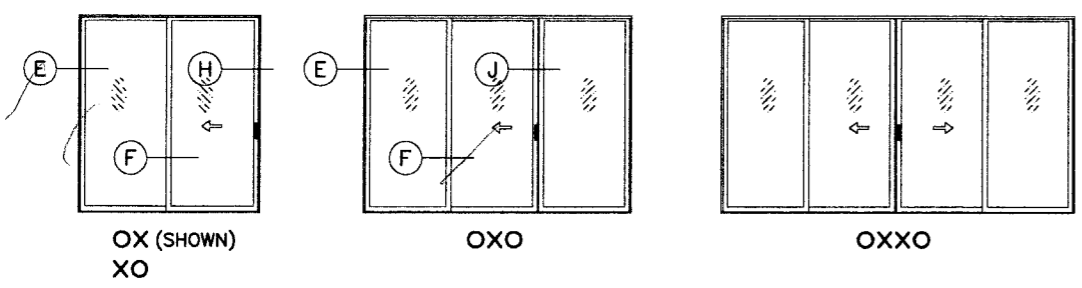
$$\text{PANEL WIDTH NOMINAL} = \frac{\text{DOOR WIDTH}}{\text{NUMBER OF PANELS}}$$

D.L. OPENING
D.L.O HEIGHT = PANEL HEIGHT - 5.1875"
D.L.O. WIDTH FIX. PANEL = PANEL WIDTH - 5.250"
D.L.O. WIDTH MOV. PANEL = PANEL WIDTH - 6.375"



Approved as complying with the
Florida Building Code
Date APRIL 03, 2008
NOA# 07-1219-16
Miami Dade Product Control
Division
By Shag I. Uande

9/16" OVERALL LAMINATED GLASS
GLAZING DETAIL



APPROVED CONFIGURATIONS

Engr: DR. HUSMAYOUN FAROOQ
STRUCTURES
FLA. PE # 16557
C.A.N. 3538

FEB 21 2008

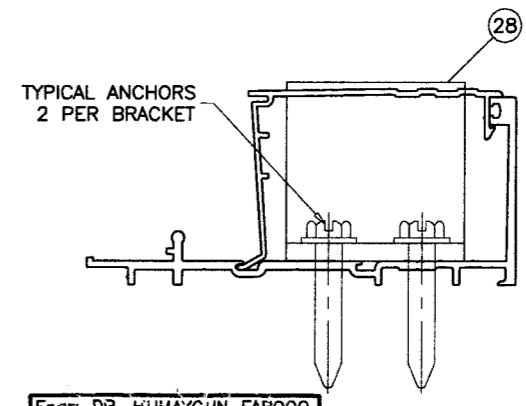
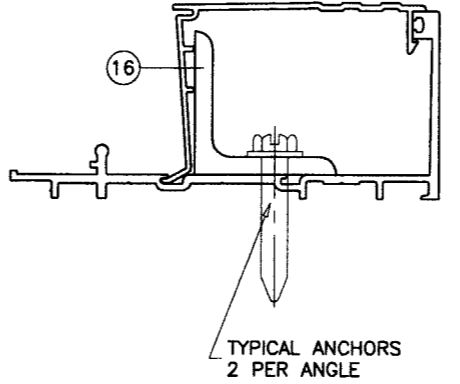
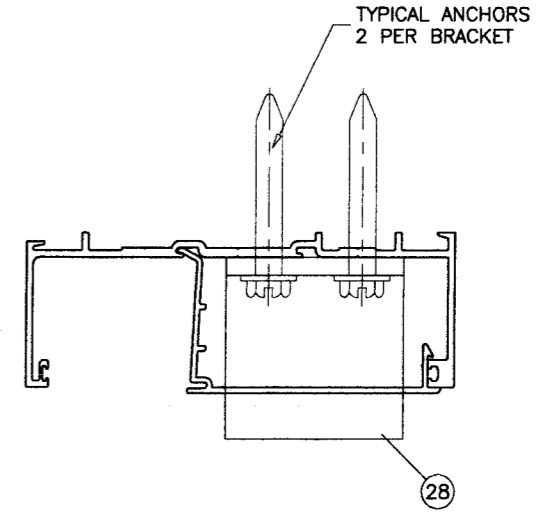
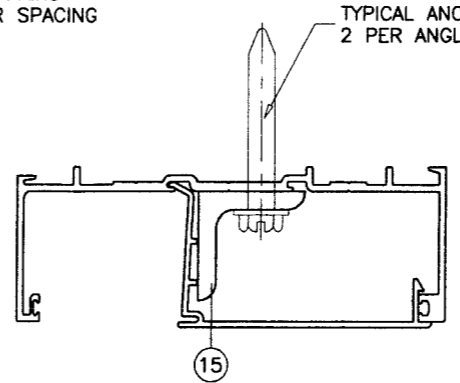
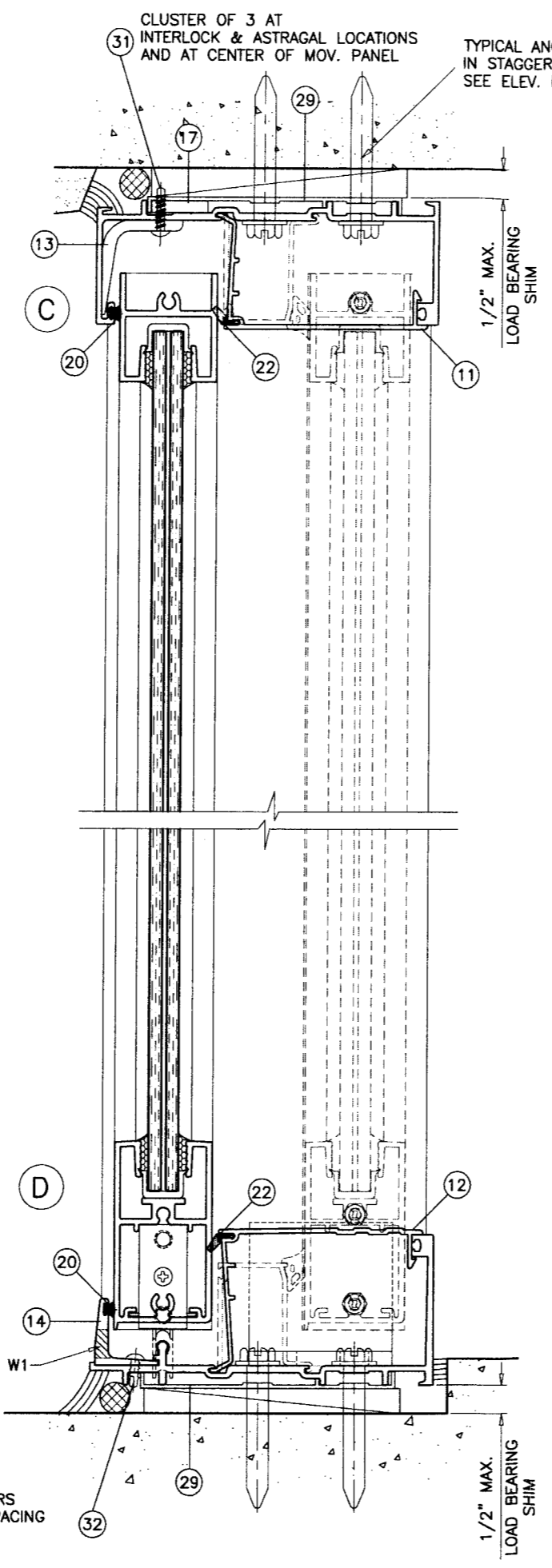
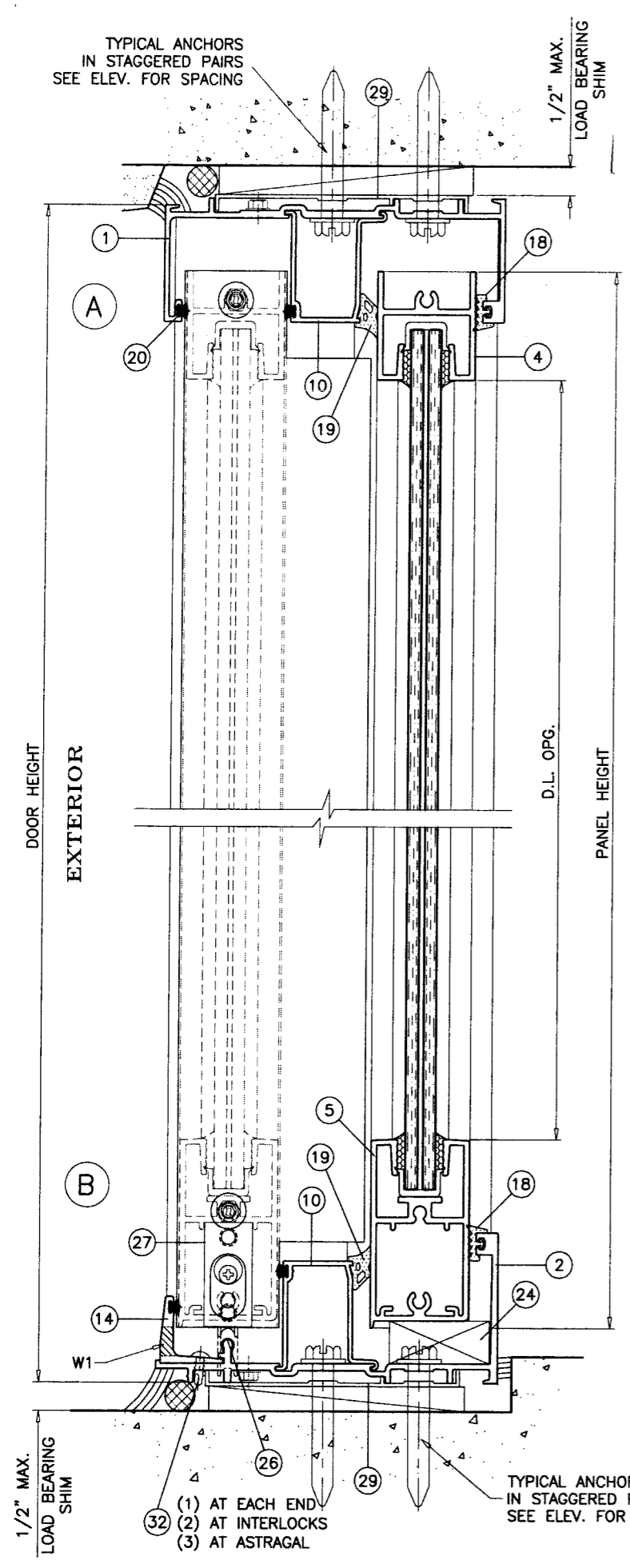
af c
AL-FAROOQ CORPORATION
ENGINEERS & PRODUCT DEVELOPMENT
1235 S.W. 87 AVE
MIAMI, FLORIDA 33174
TEL. (305) 264-8100 FAX. (305) 262-6978
COMP-ANL\W07-84NR

SERIES-6001 ALUM SLIDING GLASS DOOR (L.M.I.)
NR ARCHITECTURAL PRODUCTS
4348 WESTROADS DRIVE
WEST PALM BEACH, FL. 33407
TEL. (561) 844-1121 FAX. (561) 844-6131

no	date	description	REV. PER	COMMENTS
A	02.15.08			

date: 10-18-07
scale: 3/8" = 1"
dr. by: HAMID
chk. by:

drawing no.
W07-84
sheet 2 of 7



Eng: DR. HUMAYGUN FAROOQ
 STRUCTURES
 FLA. PE # 16557
 C.A.N. 3538
 FEB 21 2008

Approved as complying with the
 Florida Building Code
 Date APRIL 03, 2008
 NOA# 07-1219-11
 Miami Dade Product Control
 Division
 By Isaac J. Lhand

af c
AL-FAROOQ CORPORATION
 ENGINEERS & PRODUCT DEVELOPMENT
 1235 S.W. 87 AVE
 MIAMI, FLORIDA 33174
 TEL. (305) 264-8100 FAX. (305) 262-6978
 COMP-ANL\W07-84NR

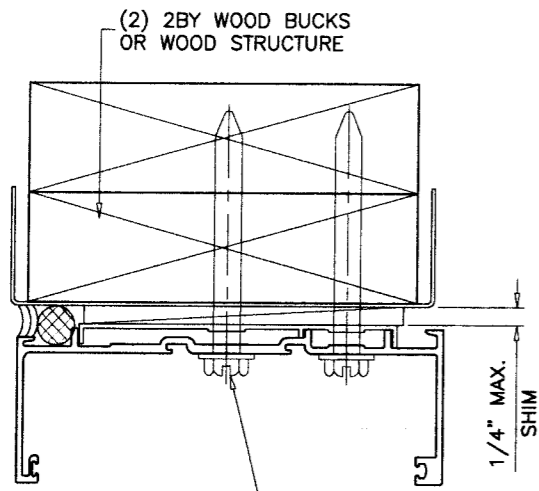
SERIES-6001 ALUM SLIDING GLASS DOOR (L.M.I.)
NR ARCHITECTURAL PRODUCTS
 4348 WESTROADS DRIVE
 WEST PALM BEACH, FL. 33407
 TEL. (561) 844-1121 FAX. (561) 844-6131

Revisions:

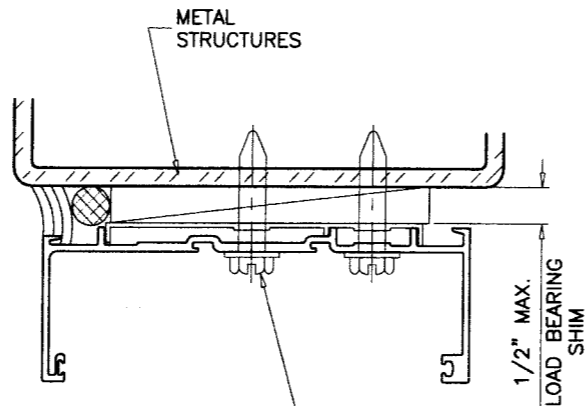
no	date	by	description
A	02.15.08		REV. PER BCCO COMMENTS

date: 10-18-07
 scale: 3/8" = 1"
 dr. by: HAMID
 chk. by:

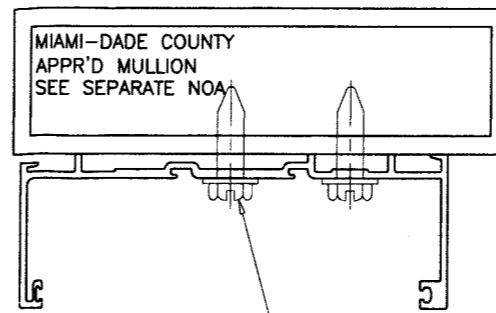
drawing no.
W07-84
 sheet 3 of 7



TYPICAL ANCHORS
IN STAGGERED PAIRS
SEE ELEV. FOR SPACING



TYPICAL ANCHORS
IN STAGGERED PAIRS
SEE ELEV. FOR SPACING



TYPICAL ANCHORS
IN STAGGERED PAIRS
SEE ELEV. FOR SPACING

WOOD BUCKS AND METAL STRUCTURES NOT BY N.R. WDW.
MUST SUPPORT LOADS IMPOSED BY GLAZING SYSTEM AND
TRANSFER THEM TO THE BUILDING STRUCTURE.

TYPICAL ANCHORS: SEE ELEV. FOR SPACING

TYPE 'A'- 3/8" DIA. LAG SCREWS

INTO WOOD STRUCTURES
WITH 2-1/4" MIN. PENETRATION INTO WOOD

TYPE 'B'- 3/8" DIA. POWERS WEDGE-BOLT ANCHOR

DIRECTLY INTO CONCRETE ($f_c' = 3000$ PSI MIN.)
WITH 1-1/2" MIN. EMBED INTO CONC.

TYPE 'C'- 3/8" DIA. SCREWS GRADE 5

INTO METAL STRUCTURES
STEEL : 1/4" THK. MIN. ($F_y = 36$ KSI MIN.)
ALUMINUM : 1/4" THK. MIN. (6063-T5 MIN.)
(STEEL IN CONTACT WITH ALUMINUM TO BE PLATED OR PAINTED)

ANCHOR EDGE DISTANCES

INTO CONCRETE = 3" MIN.
INTO WOOD STRUCTURE = 1-1/2" MIN.
INTO METAL STRUCTURE = 1" MIN.

SEALANTS:

ALL FRAME CORNERS AND JOINTS SEALED WITH
DOW-795 OR TREMCO SPECTREM 2 SILICONE SEALANT.

WEEPHOLES:

W1 = 1-1/2" X 1/2" WEEP SLOTS
(1) AT CENTER OF EACH PANEL
(1) AT EACH SIDE OF INTERLOCK
(1) AT ASTRAGAL STILE

Approved as complying with the
Florida Building Code
Date APRIL 03, 2008
NOA# 07-1219-16
Miami Dade Product Control
Division
By Iskag I. Chande

Engr: DR. HUMAYOUN FAROOQ
STRUCTURES
FLA. PE # 16557
C.A.N. 3538

FEB 21 2008

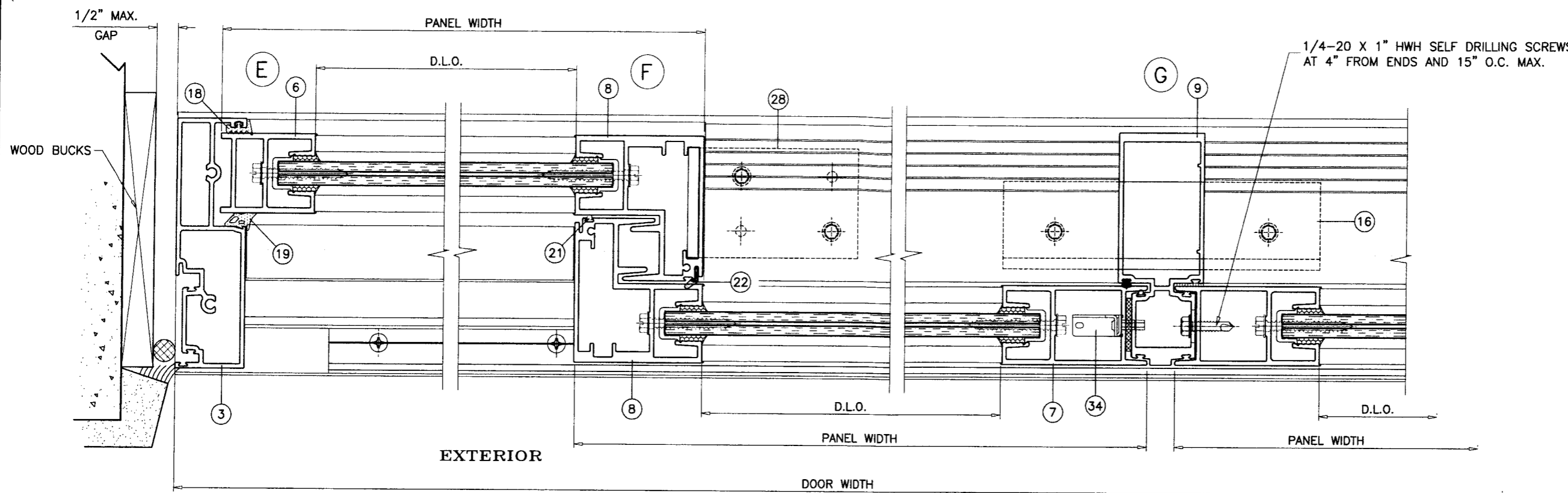
af c
AL-FAROOQ CORPORATION
ENGINEERS & PRODUCT DEVELOPMENT
1235 S.W. 87 AVE
MIAMI, FLORIDA 33174
TEL. (305) 264-8100 FAX. (305) 262-6978
COMP-ANL\W07-84NR

SERIES-6001 ALUM SLIDING GLASS DOOR (L.M.I.)
NR ARCHITECTURAL PRODUCTS
4348 WESTROADS DRIVE
WEST PALM BEACH, FL. 33407
TEL. (561) 844-1121 FAX. (561) 844-6131

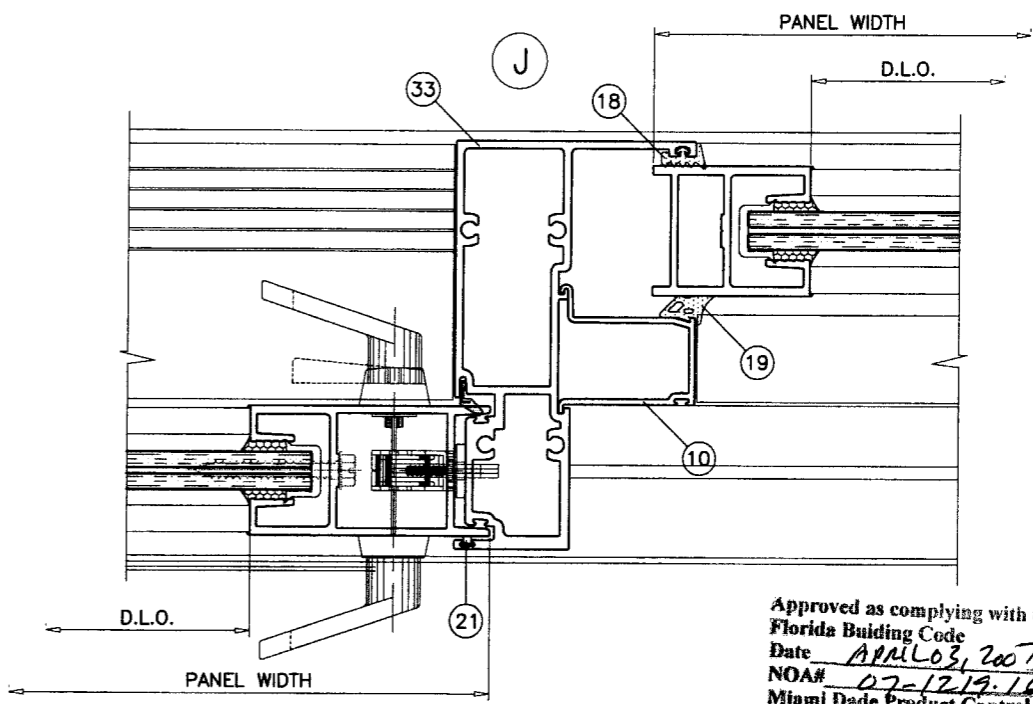
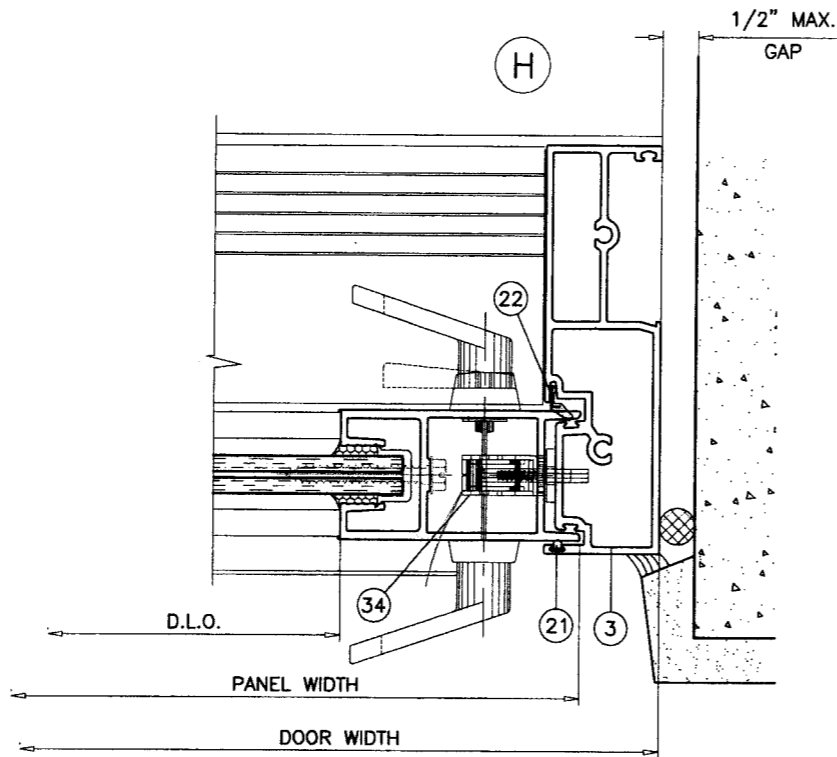
no	date	description	REV. PER	COMMENTS
A	02.15.08			

date: 10-18-07
scale: 3/8" = 1"
dr. by: HAMID
chk. by:

drawing no.
W07-84
sheet 4 of 7



1/4-20 X 1" HWH SELF DRILLING SCREWS
AT 4" FROM ENDS AND 15" O.C. MAX.



Approved as complying with the
Florida Building Code
Date April 03, 2007
NOA# 07-1219-16
Miami Dade Product Control
Division
By Ghag I. Khan

Engr: DR. HUMAYOON FAROOQ
STRUCTURES
FLA. PE # 16557
C.A.N. 3538

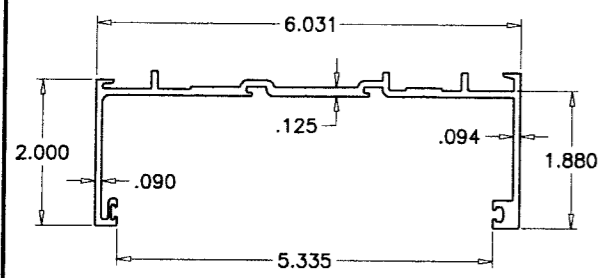
[Signature]
FEB 21 2008

afC
AL-FAROOQ CORPORATION
ENGINEERS & PRODUCT DEVELOPMENT
1235 S.W. 87 AVE
MIAMI, FLORIDA 33174
TEL. (305) 264-8100 FAX. (305) 262-6978
COMP-ANL\W07-84NR

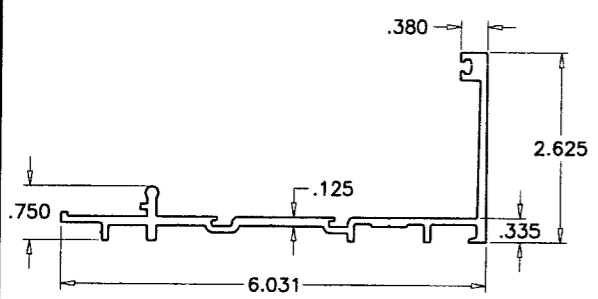
SERIES-6001 ALUM SLIDING GLASS DOOR (L.M.I.)
NR ARCHITECTURAL PRODUCTS
4348 WESTROADS DRIVE
WEST PALM BEACH, FL. 33407
TEL. (561) 844-1121 FAX. (561) 844-6131

no	date	by	description
A	02.15.08	REV. PER	BCCO COMMENTS

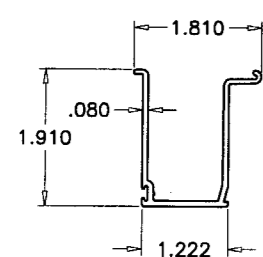
date: 10-18-07	scale: 3/8" = 1"	dr. by: HAMID	chk. by:
drawing no. W07-84			
sheet 5 of 7			



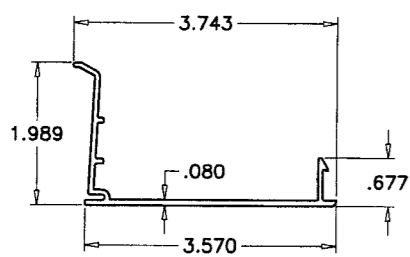
① FRAME HEAD



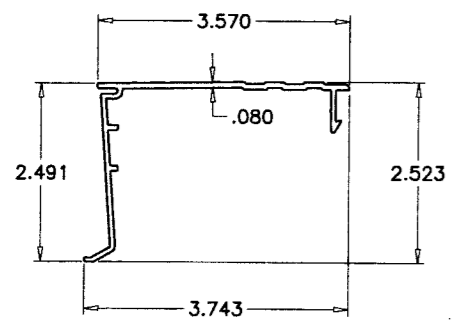
② FRAME SILL



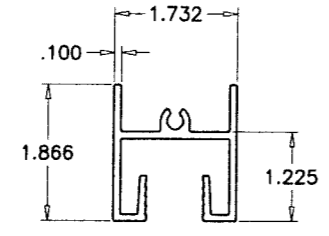
⑩ FIX. PANEL STOP



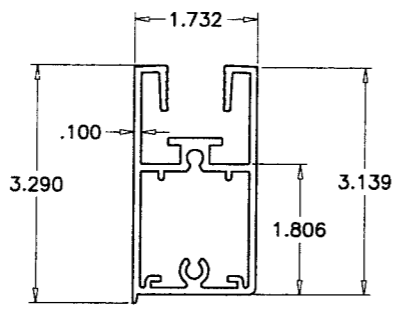
⑪ HEAD TRIM



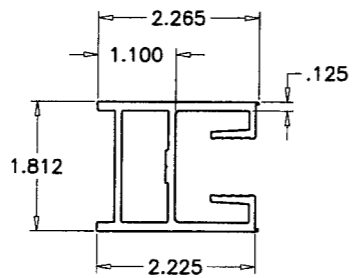
⑫ SILL THRESHOLD TRIM



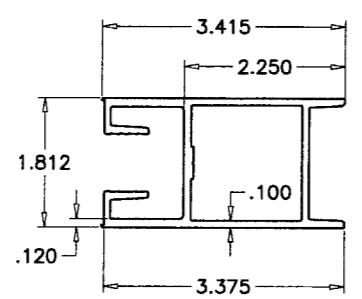
④ PANEL TOP RAIL



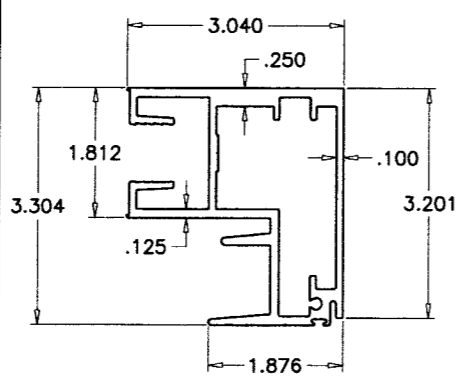
⑤ PANEL BOTTOM RAIL



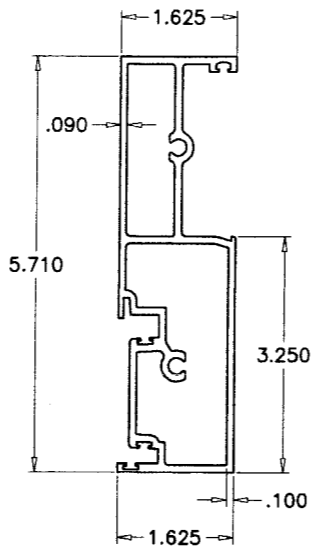
⑥ FIX. PANEL JAMB STILE



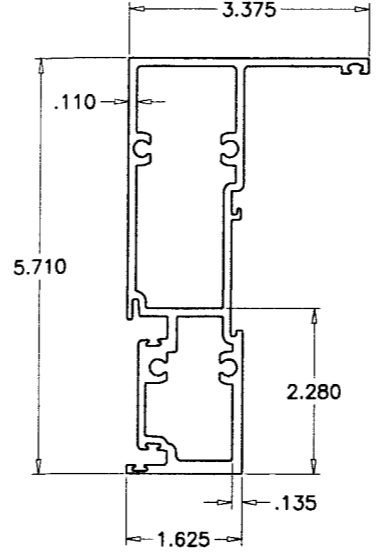
⑦ OPERATING PANEL JAMB STILE



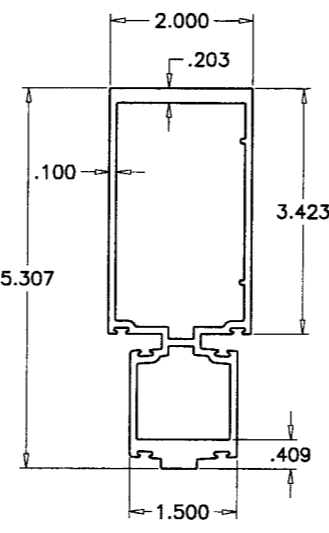
⑧ INTERLOCK STILE



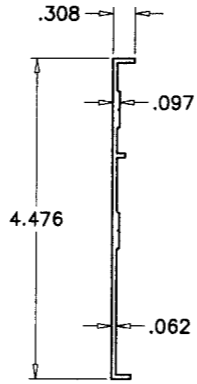
③ FRAME JAMB



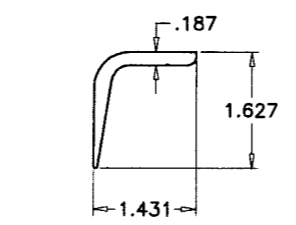
③③ OXO LOCK STILE



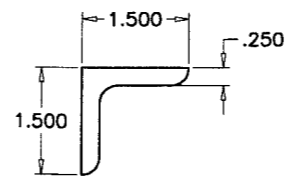
⑨ ASTRAGAL



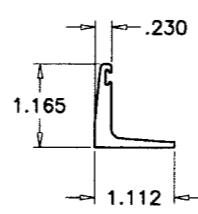
②⑨ SHEAR CLIP



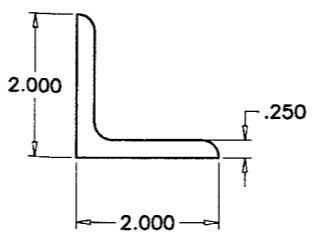
⑬ HEAD ANTI-BLOWOUT CLIP



⑮ HEAD ANGLE



⑭ SILL ANTI-BLOWOUT CLIP



⑯ SILL ANGLE

Engr: DR. HUMAYOON FAROOQ
STRUCTURES
FLA. PE # 16557
C.A.N. 3538

[Handwritten signature]

FEB 21 2008

af c
AL-FAROOQ CORPORATION
ENGINEERS & PRODUCT DEVELOPMENT
1235 S.W. 87 AVE
MIAMI, FLORIDA 33174
TEL. (305) 264-8100 FAX. (305) 262-6978
COMP-ANL\W07-84NR

SERIES-6001 ALUM SLIDING GLASS DOOR (L.M.I.)
NR ARCHITECTURAL PRODUCTS
4348 WESTROADS DRIVE
WEST PALM BEACH, FL. 33407
TEL. (561) 844-1121 FAX. (561) 844-6131

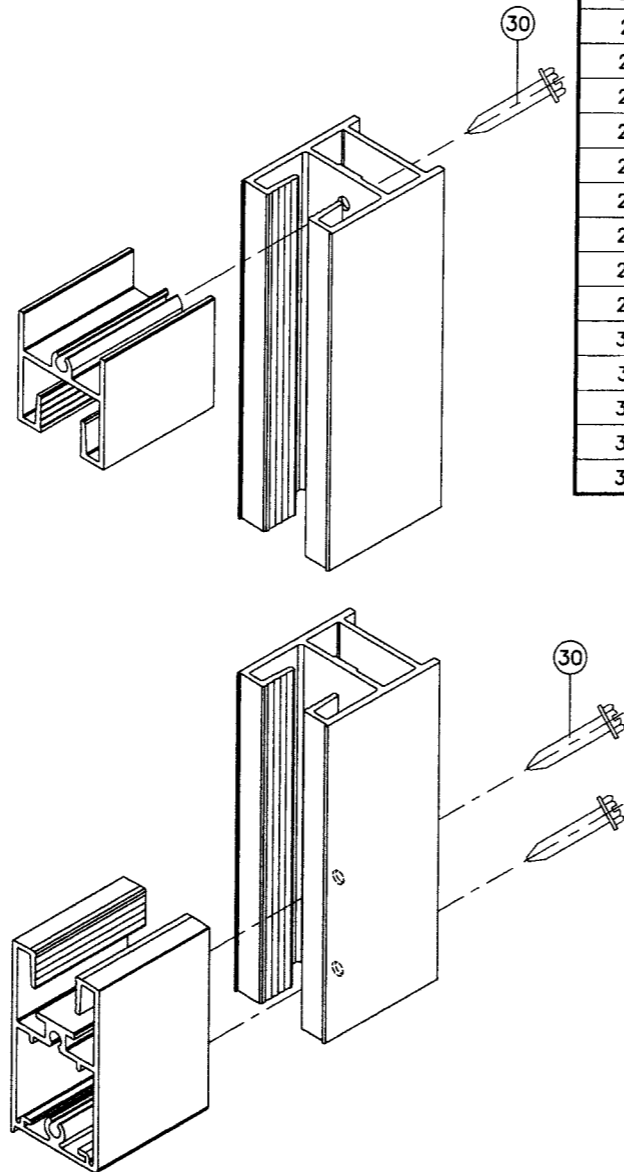
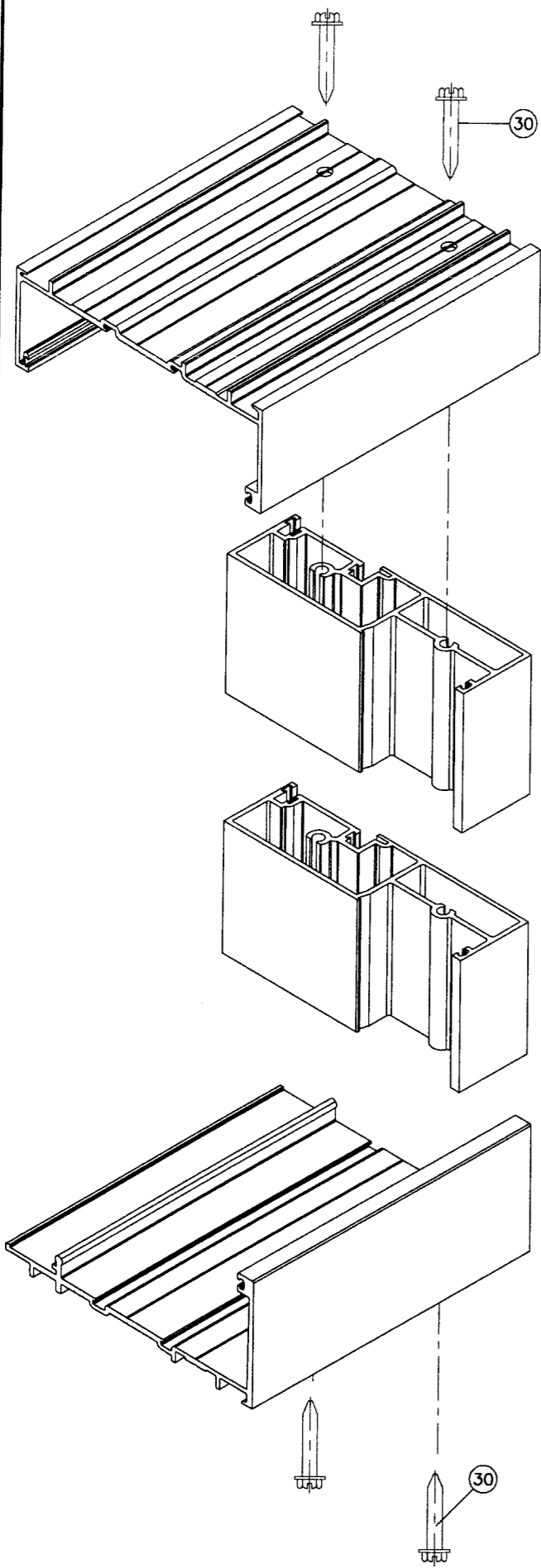
no	date	by	description
A	02.15.08		NO CHANGE THIS SHEET

Date: APR 03, 2008
NOA# 02-1219-16
Miami Dade Product Control
Division
By: [Signature]

date: 10-18-07
scale: 3/8" = 1"
dr. by: HAMID
chk. by:

drawing no.
W07-84

sheet 6 of 7



ITEM #	PART #	QUANTITY	DESCRIPTION	MATERIAL	MANF./SUPPLIER/REMARKS
1	SD-001	1	FRAME HEAD	6005-T5	-
2	SD-002	1	FRAME SILL	6005-T5	-
3	SD-003	1	FRAME JAMB	6005-T5	-
4	SD-006	2/ PANEL	TOP RAIL	6005-T5	-
5	SD-007	2/ PANEL	BOTTOM RAIL	6005-T5	-
6	SD-008	AS REQD.	FIX. PANEL JAMB STILE	6005-T5	-
7	SD-010	AS REQD.	OPERATING PANEL JAMB STILE	6005-T5	-
8	SD-009	AS REQD.	INTERLOCK STILE	6005-T5	-
9	SD-005	AS REQD.	ASTRAGAL STILE	6005-T5	-
10	SD-011	AS REQD.	FIX. PANEL STOP	6005-T5	-
11	SD-013	-	HEAD TRIM	6005-T5	-
12	SD-012	-	SILL THRESHOLD TRIM	6005-T5	-
13	SD-014	1	HEAD ANTI-BLOWOUT CLIP	6005-T5	AT MOV. PANELS ONLY
14	SD-015	1	SILL ANTI-BLOWOUT CLIP	6005-T5	LENGTH = FRAME WIDTH - 9"
15	NR-A1	-	HEAD REINF. ANGLE	STEEL	7-3/8" LONG
16	NR-A2	-	SILL REINF. ANGLE	STEEL	7-3/8" LONG
17	NR-A3	-	BACK UP PLATE	ALUM	1 X 4 X 1/4"
18	NR-G8	AS REQD.	PRESET GASKET	EPDM SPONGE	TR-15094E
19	NR-G9	AS REQD.	WEDGE GASKET	EPDM 70 DURO	TR-0436E
20	NR-G10	AS REQD.	FINPILE W'STRIPPING (.187W X .260H)	-	-
21	NR-G11	AS REQD.	BULB GASKET	VINYL	Q200T190 Q-LON
22	NR-G12	AS REQD.	FINGER GASKET	-	QEZD 250 Q-LON
23	NR-G14	AS REQD.	GLAZING GASKET (TRIMMED)	70 DURO	TR-15971W
24	NR-G15	AS REQD.	FIX. PANEL SETTING BLOCK	EPDM 80 DURO	4" LONG
25	NR-G16	AS REQD.	DOOR STOP	-	-
26	NR-A4	-	TRACK COVER	ST/ST	-
27	NR-A5	2/ MOV. PANEL	DUAL TANDEM ROLLER ASSEMBLY	ST/ST	DELTA
28	NR-A6	-	FIX. PANEL ANGLE BRACKET	ALUMINUM	3 X 4 X 1/4" X 2-1/2" LONG
29	NR-A7	AS REQD.	SHEAR CLIP CONTINUOUS	6005-T5	-
30	NR-F4	AS REQD.	FRAME/PANEL ASSEMBLY SCREWS	-	1/4-20 X 1-1/2" HWH TC
31	NR-F5	-	HEAD ANTI-BLOWOUT CLIP FASTENERS	-	1/4-20 X 3/4" HWH MS
32	NR-F6	-	SILL ANTI-BLOWOUT CLIP FASTENERS	-	#12 X 1/4" X 1/2" PHP SMS
33	SD-004	AS REQD.	OXO PANEL LOCK STILE	6005-T5	-
34	-	AS REQD.	MULTI POINT LOCK	ST. STEEL	AMESBURY

Approved as complying with the
 Florida Building Code
 Date APRIL 03, 2008
 NOA# 07-1219-16
 Miami Dade Product Control
 Division
 By Shaqi L. Chan

Engr. DR. HUMAYOUN FAROOQ
 STRUCTURES
 FLA. PE # 16557
 C.A.N. 3538
 FEB 21 2008

af c
AL-FAROOQ CORPORATION
 ENGINEERS & PRODUCT DEVELOPMENT
 1235 S.W. 87 AVE
 MIAMI, FLORIDA 33174
 TEL. (305) 264-8100 FAX. (305) 262-6978
 COMP - ANL \ W07 - 84NR

SERIES-6001 ALUM SLIDING GLASS DOOR (L.M.I.)
NR ARCHITECTURAL PRODUCTS
 4348 WESTROADS DRIVE
 WEST PALM BEACH, FL. 33407
 TEL. (561) 844-1121 FAX. (561) 844-6131

date: 10-18-07	scale: 3/8" = 1"	dr. by: HAMID	chk. by:
drawing no. W07-84			
sheet 7 of 7			

no	date	by	description
A	02.15.08	REV. PER	BCCO COMMENTS