



BUILDING AND NEIGHBORHOOD COMPLIANCE DEPARTMENT (BNC)
BOARD AND CODE ADMINISTRATION DIVISION

MIAMI-DADE COUNTY, FLORIDA
PRODUCT CONTROL SECTION
11805 SW 26th Street, Room 208
Miami, Florida 33175-2474
T (786) 315-2590 F (786) 315-2599

www.miamidade.gov/building

NOTICE OF ACCEPTANCE (NOA)

N. R. Architectural Products, Inc.
4348 Westroads Drive
West Palm Beach, FL 33407

SCOPE:

This NOA is being issued under the applicable rules and regulations governing the use of construction materials. The documentation submitted has been reviewed by Miami-Dade County Product Control Section and accepted by the Board of Rules and Appeals (BORA) to be used in Miami-Dade County and other areas where allowed by the Authority Having Jurisdiction (AHJ).

This NOA shall not be valid after the expiration date stated below. The Miami-Dade County Product Control Section (In Miami-Dade County) and/or the AHJ (in areas other than Miami-Dade County) reserve the right to have this product or material tested for quality assurance purposes. If this product or material fails to perform in the accepted manner, the manufacturer will incur the expense of such testing and the AHJ may immediately revoke, modify, or suspend the use of such product or material within their jurisdiction. BORA reserves the right to revoke this acceptance, if it is determined by Miami-Dade County Product Control Section that this product or material fails to meet the requirements of the applicable building code. This product is approved as described herein, and has been designed to comply with the Florida Building Code, including the High Velocity Hurricane Zone.

DESCRIPTION: Series "Point Support Glass" Aluminum Curtain Wall System – S.M.I.

APPROVAL DOCUMENT: Drawing No. AD10-26, titled "Point Support Glass System (S.M.I.)", sheets 1 through 10 of 10, dated 09/30/10 with the latest revision dated 02/09/11, prepared by MCY Engineering, Inc., signed and sealed by Yiping Wang, P. E., bearing the Miami-Dade County Product Control Approval stamp with the Notice of Acceptance number and Approval date by the Miami-Dade County Product Control Section.

MISSILE IMPACT RATING: Small Missile Impact Resistant.

LABELING: Each unit shall bear a permanent label with the manufacturer's name or logo, city, state and following statement: "Miami-Dade County Product Control Approved", unless otherwise noted herein.

RENEWAL of this NOA shall be considered after a renewal application has been filed and there has been no change in the applicable building code negatively affecting the performance of this product.

TERMINATION of this NOA will occur after the expiration date or if there has been a revision or change in the materials, use, and/or manufacture of the product or process. Misuse of this NOA as an endorsement of any product, for sales, advertising or any other purposes shall automatically terminate this NOA. Failure to comply with any section of this NOA shall be cause for termination and removal of NOA.

ADVERTISEMENT: The NOA number preceded by the words Miami-Dade County, Florida, and followed by the expiration date may be displayed in advertising literature. If any portion of the NOA is displayed, then it shall be done in its entirety.

INSPECTION: A copy of this entire NOA shall be provided to the user by the manufacturer or its distributors and shall be available for inspection at the job site at the request of the Building Official. This NOA consists of this page 1, evidence page E-1, as well as approval document mentioned above. The submitted documentation was reviewed by **Jaime D. Gascon, P. E.**



J. Gascon
2/17/11

NOA No. 10-1013.12
Expiration Date: March 10, 2016
Approval Date: March 10, 2011
Page 1

NOTICE OF ACCEPTANCE: EVIDENCE SUBMITTED

A. DRAWINGS

1. Manufacturer's die drawings and sections.
2. Drawing No **AD10-26**, titled "Point Support Glass System (S.M.I.)", sheets 1 through 10 of 10, dated 09/30/10 with the latest revision dated 02/09/11, prepared by MCY Engineering, Inc., signed and sealed by Yiping Wang, P. E.

B. TESTS

1. Test reports on:
 - 1) Air Infiltration Test, per FBC, TAS 202-94
 - 2) Uniform Static Air Pressure Test, Loading per FBC TAS 202-94
 - 3) Water Resistance Test, per FBC, TAS 202-94
 - 4) Small Missile Impact Test per FBC, TAS 201-94
 - 5) Cyclic Wind Pressure Loading per FBC, TAS 203-94
 - 6) Forced Entry Test, per FBC 2411 3.2.1, TAS 202-94along with marked-up drawings and installation diagram of Point Support Glass System, prepared by Hurricane Test Laboratory, LLC, Test Report No. **HTL-0242-0104-10**, dated 03/25/2010, signed and sealed by Vinu J. Abraham, P. E.

C. CALCULATIONS

1. Anchor verification calculations and structural analysis, complying with FBC-2007, prepared by MCY Engineering, Inc., dated 10/06/10, signed and sealed by Yiping Wang, P. E.
Complies with ASTM E1300-04

D. QUALITY ASSURANCE

1. Miami-Dade Building and Neighborhood Compliance Department (BNC).

E. MATERIAL CERTIFICATIONS


1. Notice of Acceptance No. **10-0413.04** issued to E.I. DuPont DeNemours & Co., Inc. for their "**DuPont Sentry Glass® Interlayer**" dated 05/26/2010, expiring on 01/14/12.

F. STATEMENTS

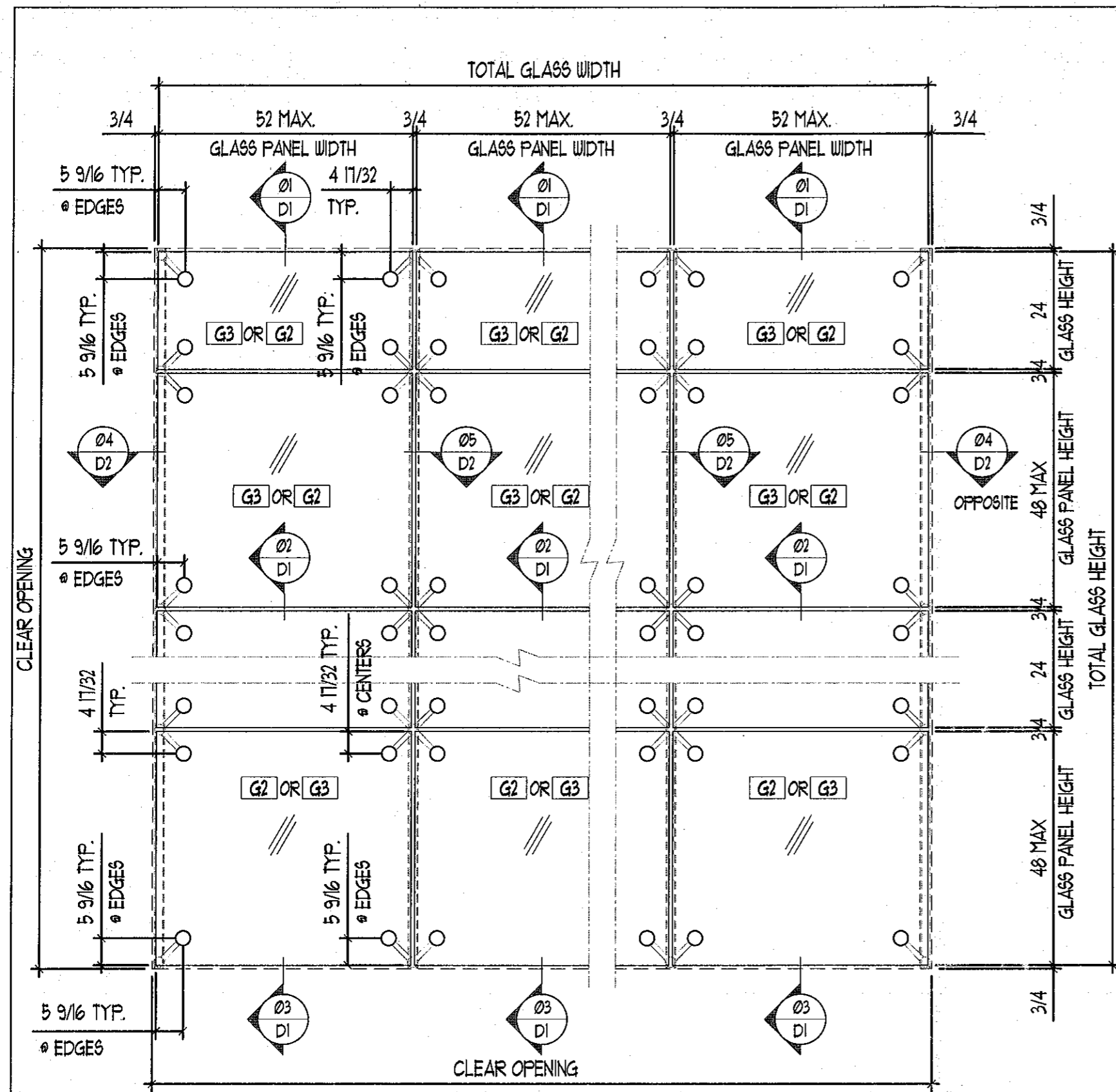
1. Statement letter of conformance, no financial interest and compliance with the FBC 2007, dated September 28, 2010, signed and sealed by Yiping Wang, P. E.
2. Laboratory compliance letter for Test Report No. **HTL-0242-0104-10**, issued by Hurricane Test Laboratory, LLC, dated 03/25/2010, signed and sealed by Vinu J. Abraham, P. E.

G. OTHERS

1. None.



Jaime D. Gascon, P. E.
Product Control Section Supervisor
NOA No. 10-1013.12
Expiration Date: March 10, 2016
Approval Date: March 10, 2011



TYPICAL ELEVATION-FOUR (4) POINT SUPPORTED GLASS
 DESIGN LOAD: +105 / -105 PSF

GENERAL NOTES:

- THIS PRODUCT HAS BEEN DESIGNED AND TESTED TO COMPLY WITH THE REQUIREMENTS OF THE FLORIDA BUILDING CODE 2007 EDITION INCLUDING HIGH VELOCITY HURRICANE ZONE (HVHZ).
- FOUR (4) OR SIX (6) POINT SUPPORT GLASS SYSTEM RATED FOR SMALL MISSILE IMPACT AND SHUTTERS ARE NOT REQUIRED FOR INSTALLATION 30 FEET ABOVE GROUND LEVEL.
- THESE POINT SUPPORT GLASS SYSTEM ARE APPROVED FOR AIR AND WATER INFILTRATION.
- CODE REQUIREMENTS FOR SAFEGUARDS MUST BE OBSERVED.
- ANCHORING OR LOADING CONDITIONS NOT SHOWN IN THESE DETAILS ARE NOT PART OF THIS APPROVAL.
- MATERIALS INCLUDING BUT NOT LIMITED TO STEEL/METAL SCREWS THAT COME INTO CONTACT WITH OTHER DISSIMILAR MATERIALS SHALL MEET THE REQUIREMENTS OF 2007 FBC SECTION 2003.8.4.
- SUPPORTING STRUCTURES NOT BY NR ARCHITECTURAL PRODUCTS MUST SUPPORT LOADS IMPOSED BY POINT SUPPORT GLASS SYSTEM AND TRANSFER THEM TO THE BUILDING STRUCTURE.
- SUPPORTING STEEL STRUCTURE DESIGN AND ANCHORS SHALL BE CAPABLE OF RESISTING LOADS IMPOSED BY CURTAIN WALL UNDER MAXIMUM DESIGN LOADS AND BE APPROVED BY STRUCTURAL ENGINEER OF RECORDS (EOR).
- GLASS CAPACITY ARE BASED ON ASTM E1300-04 (3 SEC. GUEST).
- ALL DIMENSION UNIT NOT SPECIFIED SHOULD BE IN INCHES.

Approved as complying with the
 Florida Building Code
 Date 03/10/2011
 NOA# 10-1013.12
 Miami Dade Product Control
 By [Signature]

YIPING WANG, P.E.
 FLORIDA REGISTRATION
 PE #55983
 C.A.N. 28677

FEB 04 2011

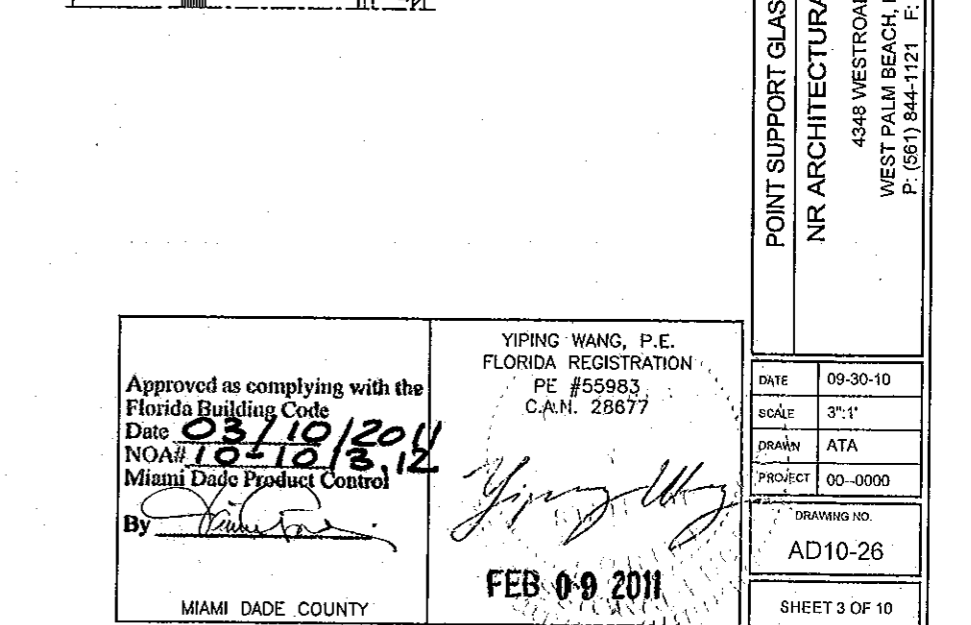
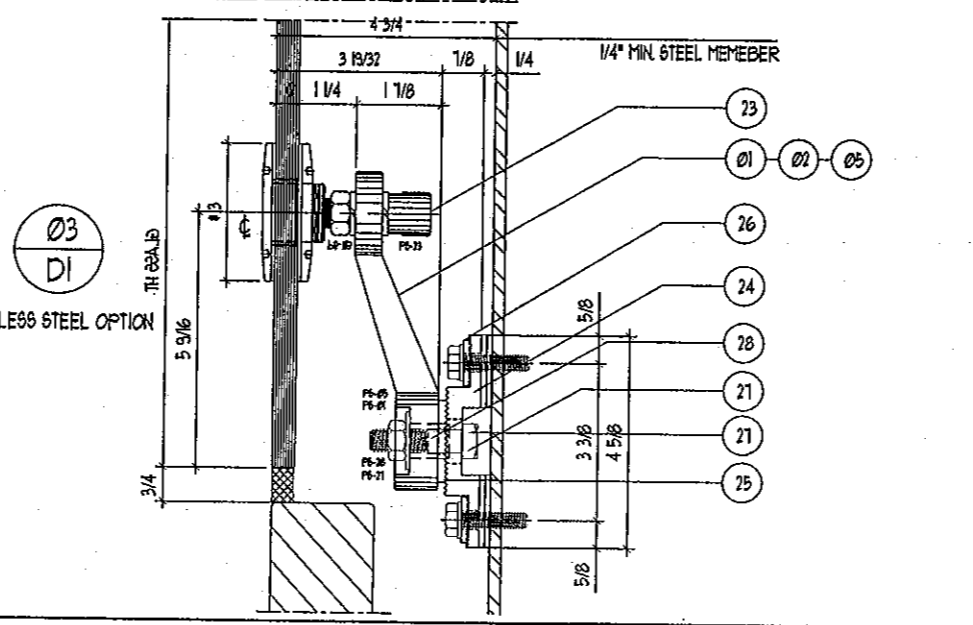
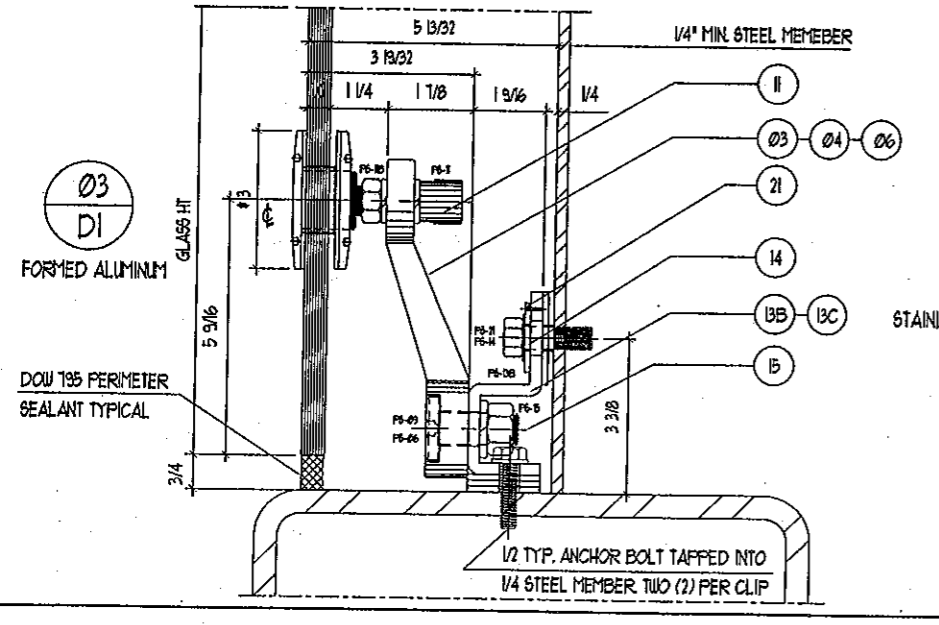
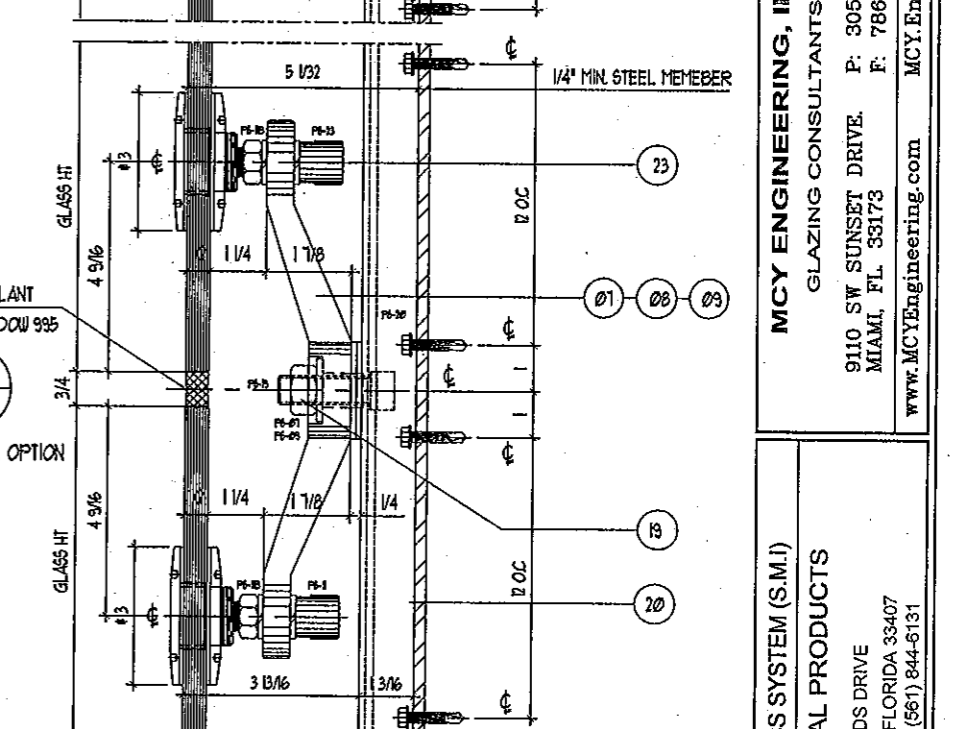
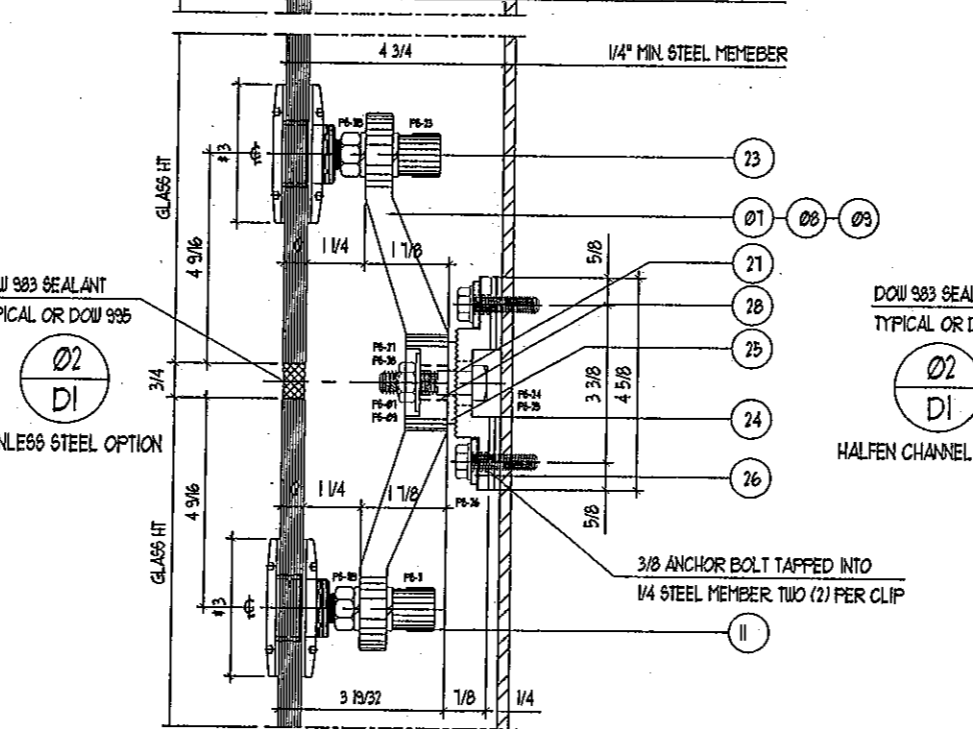
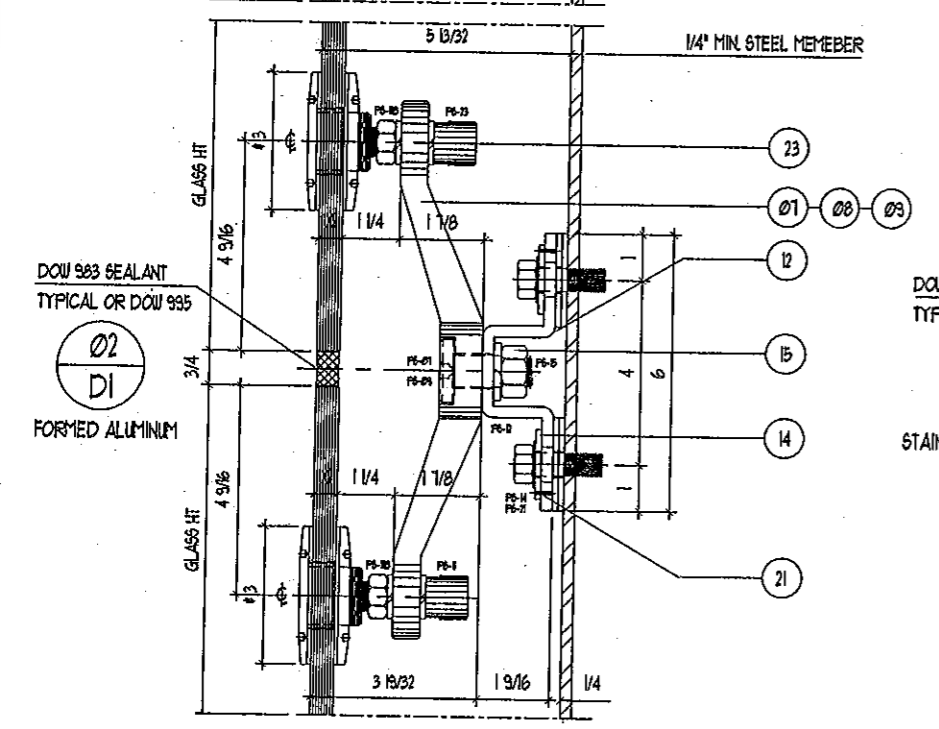
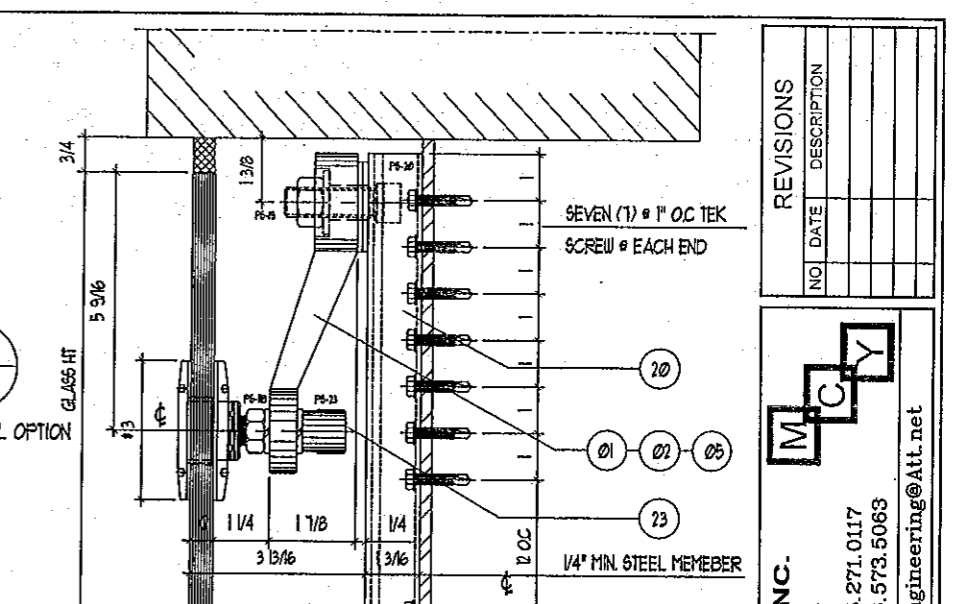
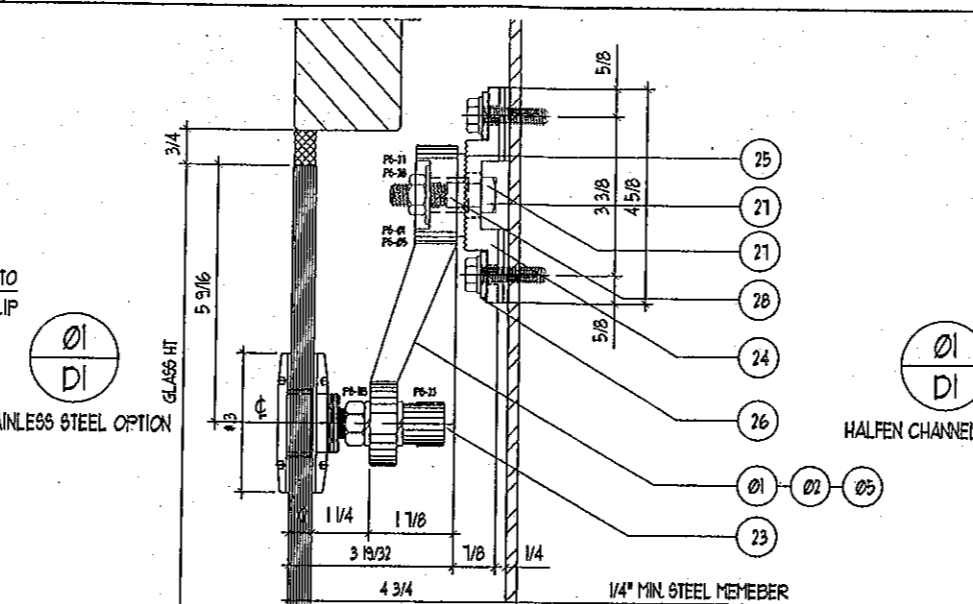
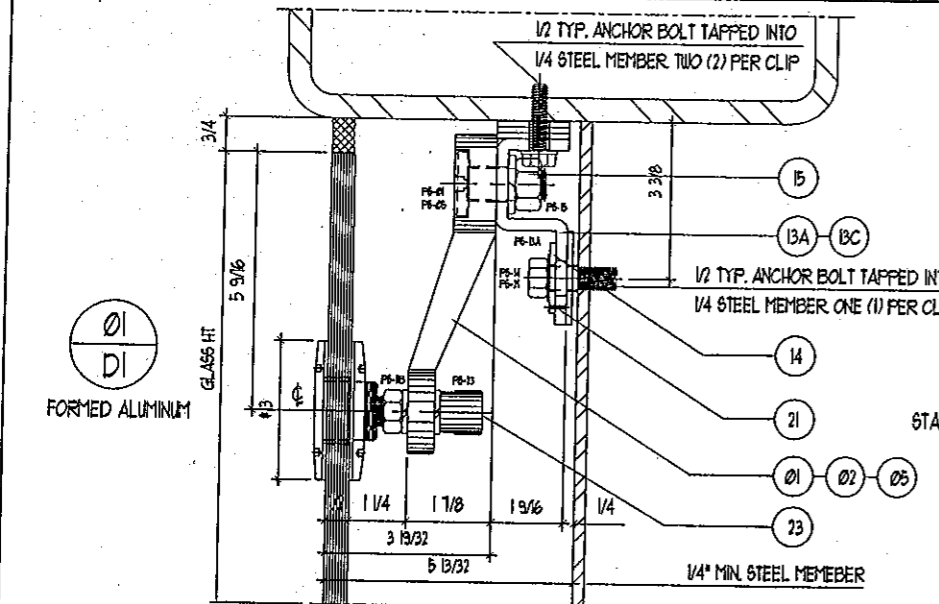
MIAMI DADE COUNTY

REVISIONS	
NO.	DATE DESCRIPTION

MCY	
MCY ENGINEERING, INC.	
GLAZING CONSULTANTS	
9110 SW SUNSET DRIVE. P: 305.271.0117 MIAMI, FL 33173 F: 786.573.5063	
www.MCYEngineering.com MCY.Engineering@Att.net	

POINT SUPPORT GLASS SYSTEM (S.M.I.)	
NR ARCHITECTURAL PRODUCTS	
4348 WESTROADS DRIVE WEST PALM BEACH, FLORIDA 33407 P: (561) 844-1121 F: (561) 844-6131	

DATE	09/30/10
SCALE	AS SHOWN
DRAWN	ATA
PROJECT	00-0000
DRAWING NO.	
AD10-26	
SHEET 1 OF 10	



REVISIONS	
NO.	DESCRIPTION

MCY

MCY ENGINEERING, INC.
GLAZING CONSULTANTS
9110 SW SUNSET DRIVE, MIAMI, FL 33173
P: 305.271.0117 F: 786.573.5063
www.MCYEngineering.com MCY.Engineering@Att.net

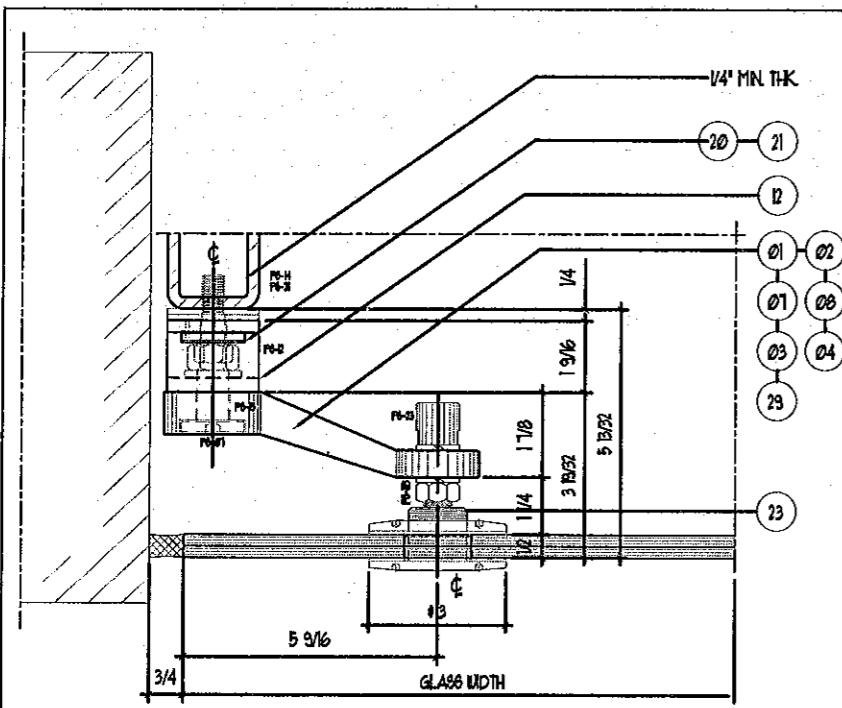
POINT SUPPORT GLASS SYSTEM (S.M.I.)
NR ARCHITECTURAL PRODUCTS
4348 WESTROADS DRIVE
WEST PALM BEACH, FLORIDA 33407
P: (561) 844-1121 F: (561) 844-6131

Approved as complying with the Florida Building Code
Date **03/10/2011**
NOA# **10-10-13-12**
Miami Dade Product Control
By *[Signature]*

YIPING WANG, P.E.
FLORIDA REGISTRATION
PE #55983
C.A.N. 28677

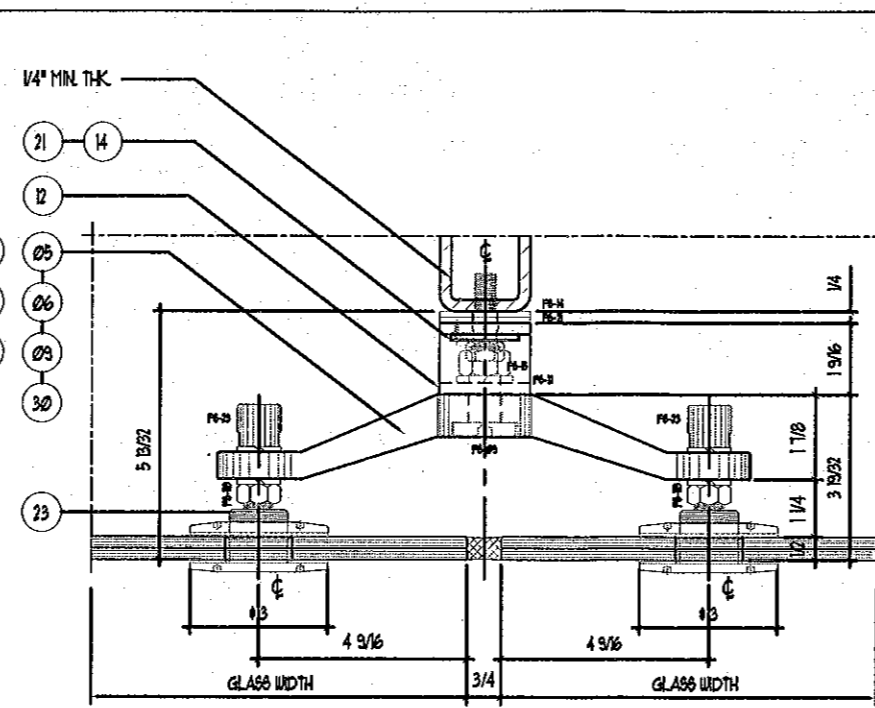
FEB 09 2011

DATE	09-30-10
SCALE	3/4"=1'
DRAWN	ATA
PROJECT	00-0000
DRAWING NO.	AD10-26
SHEET 3 OF 10	



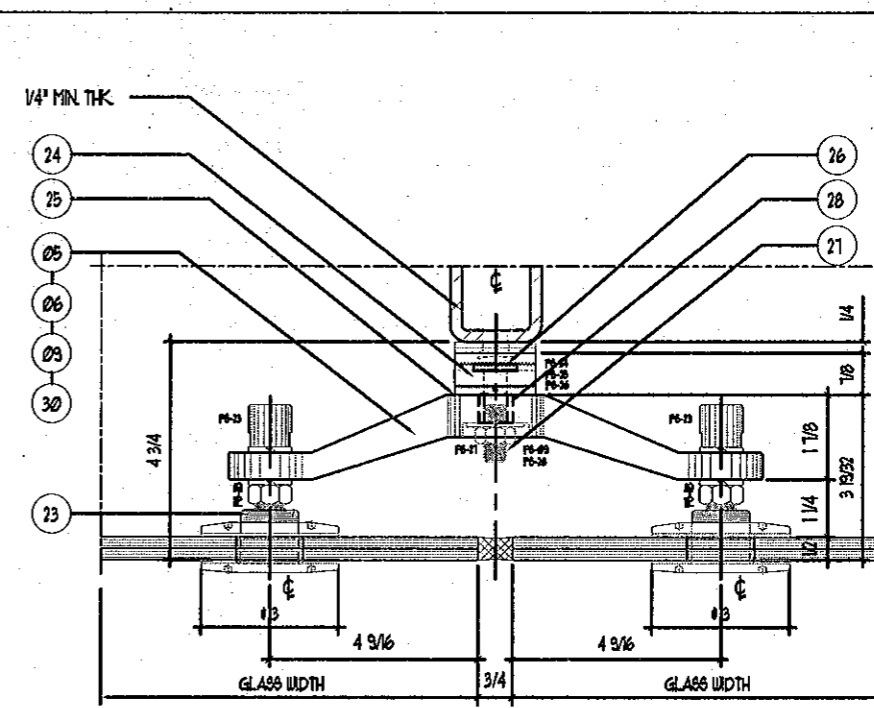
Ø4
D2

FORMED ALUMINUM



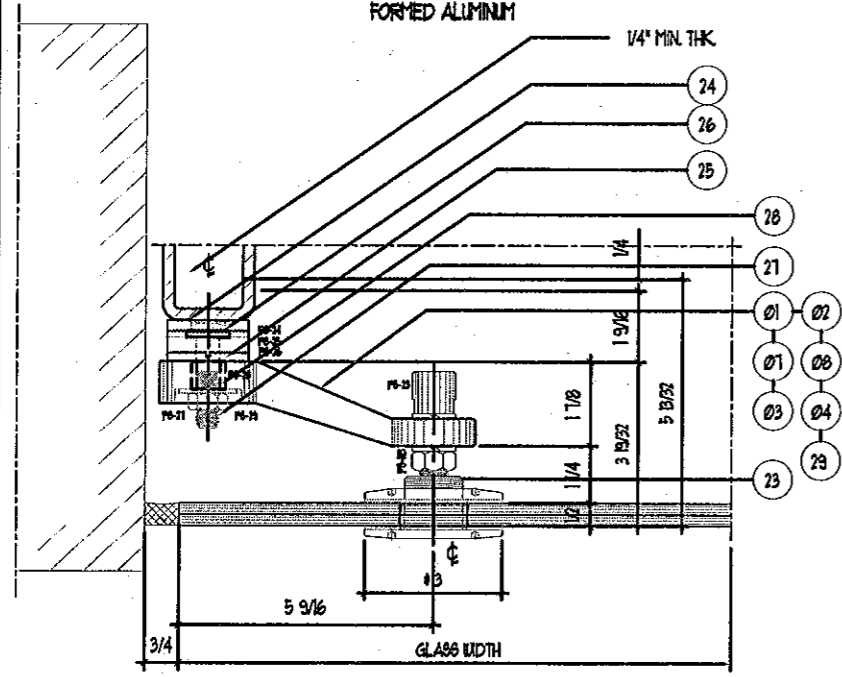
Ø5
D2

FORMED ALUMINUM



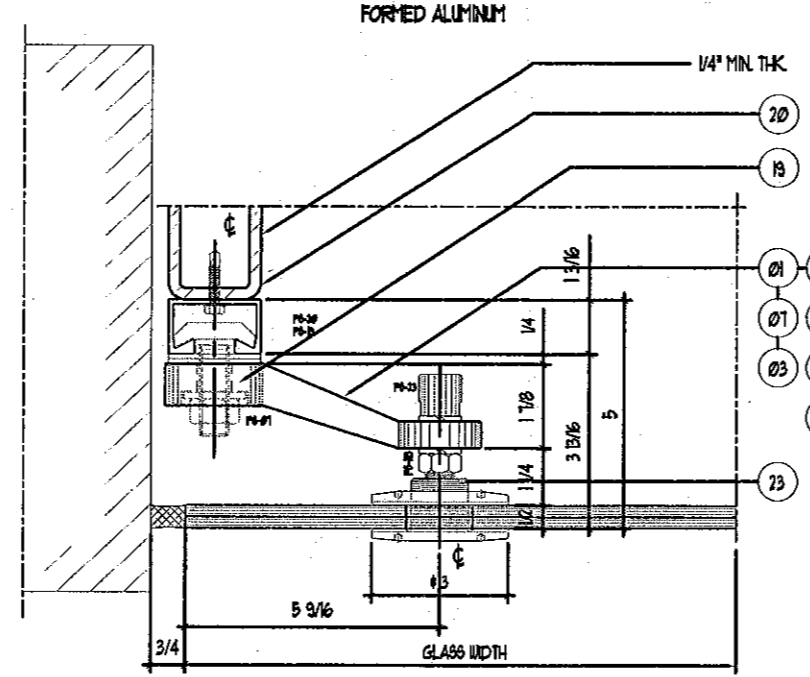
Ø5
D2

STAINLESS STEEL OPTION



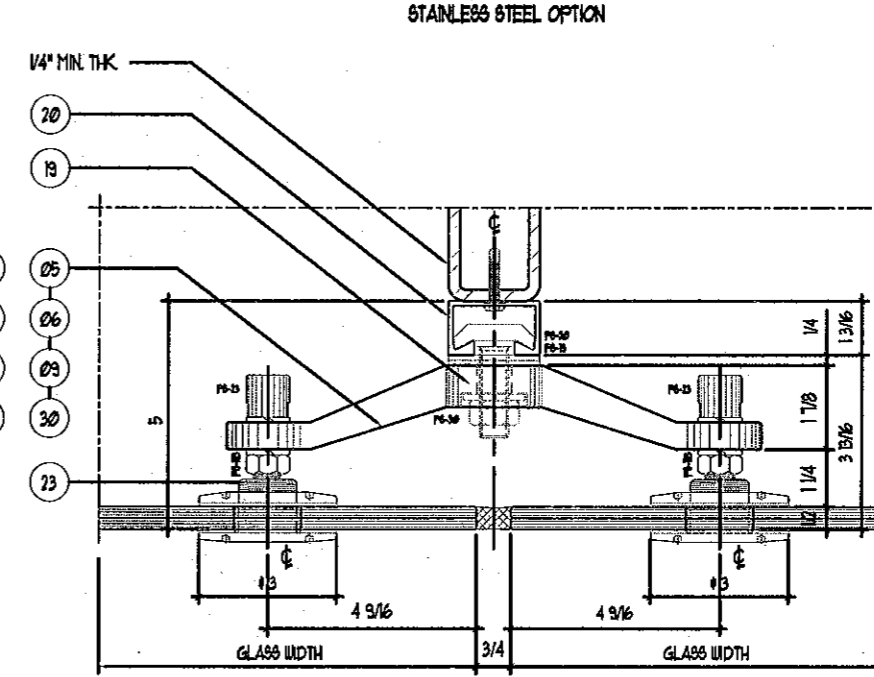
Ø4
D2

STAINLESS STEEL OPTION



Ø4
D2

HALFEN CHANNEL OPTION



Ø5
D2

HALFEN CHANNEL OPTION

Approved as complying with the Florida Building Code
 Date 03/10/2011
 NOA# 10-10/3,12
 Miami Dade Product Control
 By *[Signature]*
 MIAMI DADE COUNTY

YIPING WANG, P.E.
 FLORIDA REGISTRATION
 PE #55983
 C.A.N. 28677
[Signature]
 FEB 04 2011

REVISIONS	
NO.	DATE DESCRIPTION

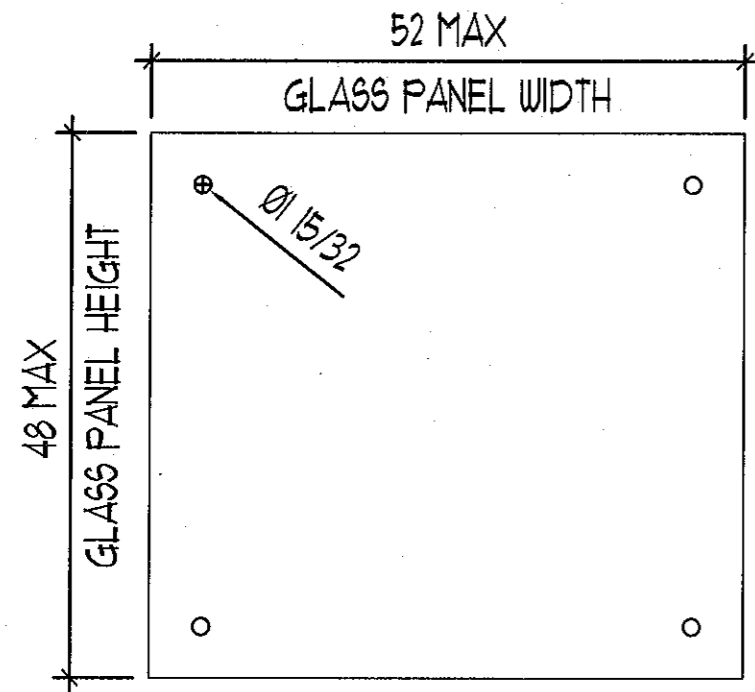
MCY

MCY ENGINEERING, INC.
 GLAZING CONSULTANTS
 9110 SW SUNSET DRIVE, P: 305.271.0117
 MIAMI, FL 33173 F: 786.573.5063
 www.MCYEngineering.com MCY.Engineering@att.net

POINT SUPPORT GLASS SYSTEM (S.M.I.)
 NR ARCHITECTURAL PRODUCTS
 4348 WESTROADS DRIVE
 WEST PALM BEACH, FLORIDA 33407
 P: (561) 844-1121 F: (561) 844-6131

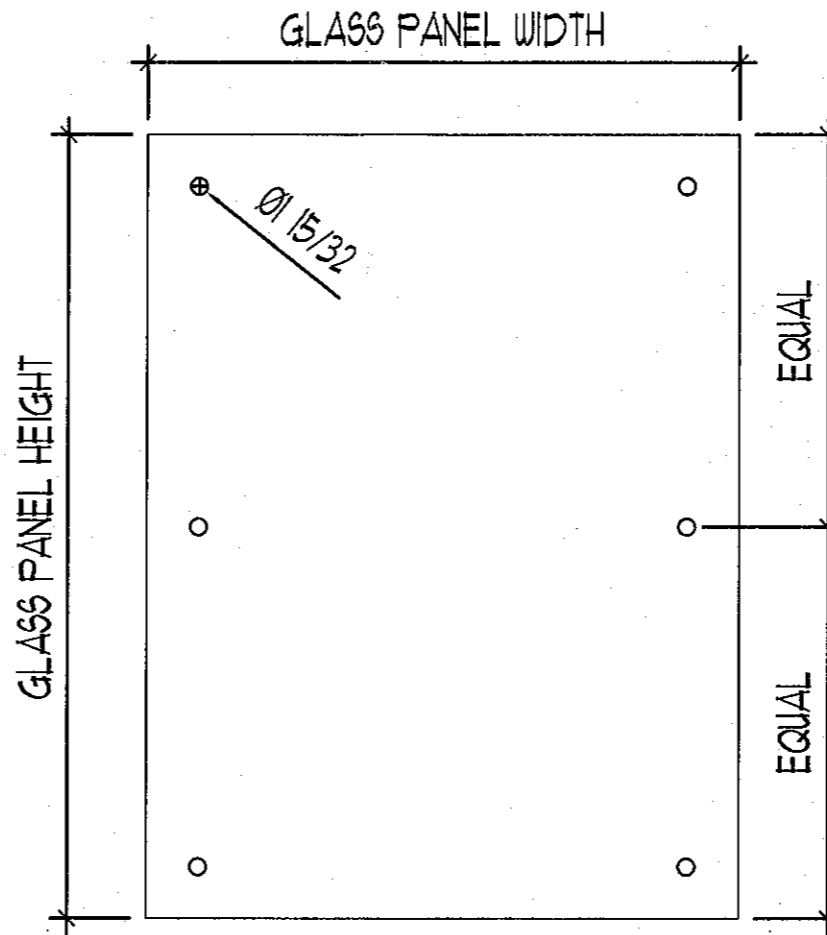
DATE	09-30-10
SCALE	3":1'
DRAWN	ATA
PROJECT	00-0000
DRAWING NO.	AD10-26
SHEET	4 OF 10

GLASS CONFIG.: FOUR (4) POINT SUPPORT



TYPICAL GLASS ELEVATION

GLASS CONFIG.: SIX (6) POINT SUPPORT



TYPICAL GLASS ELEVATION

SIX (6) POINT SUPPORT GLASS DESIGN LOAD CHART

WIDTH-IN	HEIGHT-IN	DP (PSF)
41-1/2"	60"	105.0
36"	62"	105.0
42"	62"	100.0

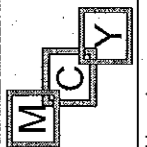
Approved as complying with the Florida Building Code
 Date 03/10/2011
 NOA# 10-10/3.12
 Miami Dade Product Control
 By *[Signature]*

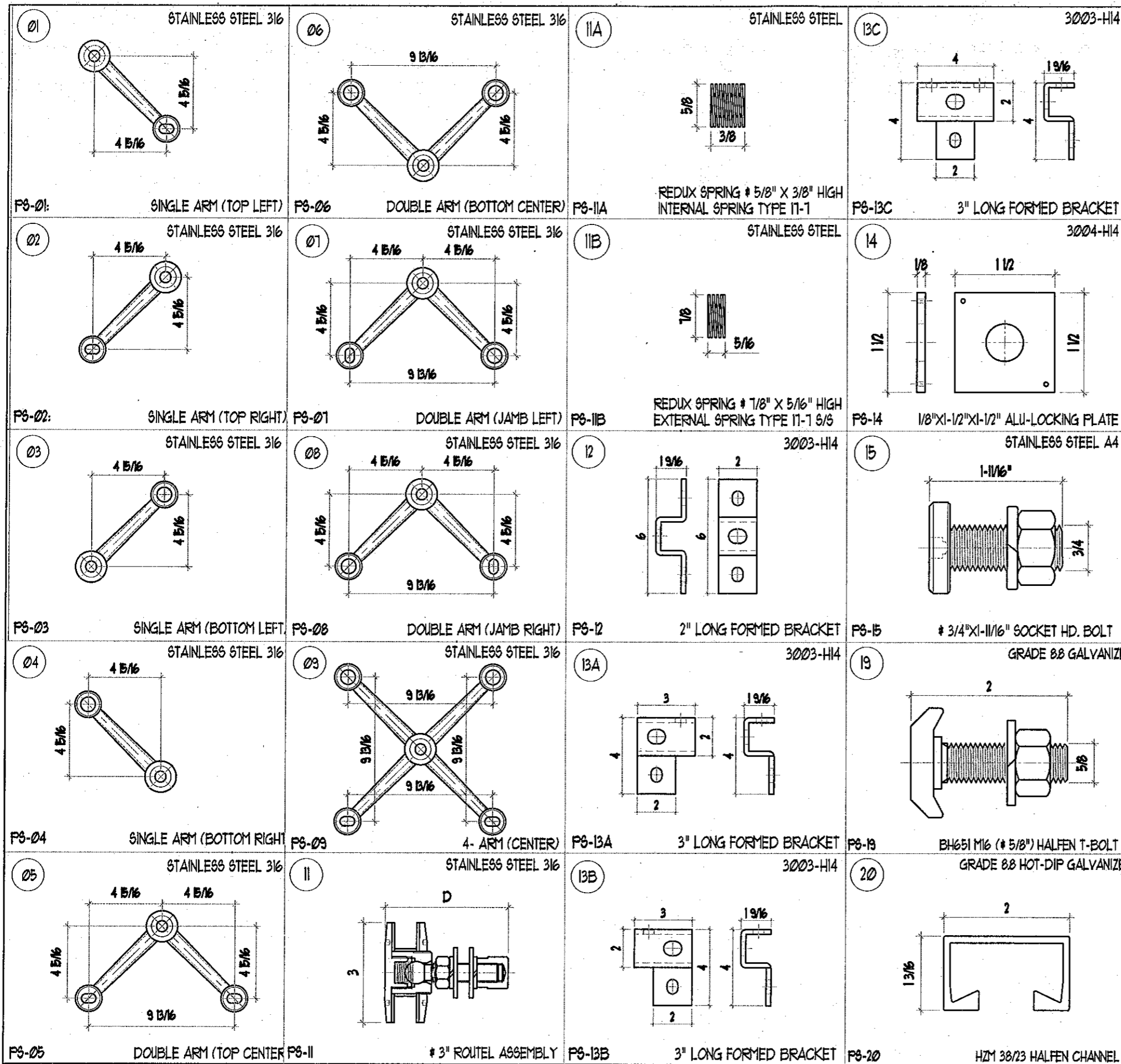
YIPING WANG, P.E.
 FLORIDA REGISTRATION
 PE #55983
 C.A.N. 28677

[Signature]

FEB 04 2011

MIAMI DADE COUNTY

REVISIONS	
NO.	DATE DESCRIPTION
	
MCY ENGINEERING, INC. GLAZING CONSULTANTS 9110 SW SUNSET DRIVE. P: 305.271.0117 MIAMI, FL 33173 F: 786.573.5063 www.MCYEngineering.com MCY.Engineering@Att.net	
POINT SUPPORT GLASS SYSTEM (S.M.I.) NR ARCHITECTURAL PRODUCTS 4348 WESTROADS DRIVE WEST PALM BEACH, FLORIDA 33407 P: (561) 844-1121 F: (561) 844-6131	
DATE	09-30-10
SCALE	3/4"=1'
DRAWN	ATA
PROJECT	00--0000
DRAWING NO.	
AD10-26	
SHEET 5 OF 10	



BILL OF MATERIALS:

ITEM #	PART #	DESCRIPTION	MATERIAL
01	P6-01	TOP LEFT 1-ARM SPIDER	STAINLESS STEEL 316
02	P6-02	TOP RIGHT 1-ARM SPIDER	STAINLESS STEEL 316
03	P6-03	BOTTOM LEFT 1-ARM SPIDER	STAINLESS STEEL 316
04	P6-04	BOTTOM RIGHT 1-RM SPIDER	STAINLESS STEEL 316
05	P6-05	TOP CENTER 2-ARM SPIDER	STAINLESS STEEL 316
06	P6-06	BOTTOM CENTER 2-ARM SPIDER	STAINLESS STEEL 316
07	P6-07	LEFT JAMB 2-ARM SPIDER	STAINLESS STEEL 316
08	P6-08	RIGHT JAMB 2-ARM SPIDER	STAINLESS STEEL 316
09	P6-09	CENTER 4-ARM SPIDER	STAINLESS STEEL 316
11	P6-11	# 3" SPIDER ROUTEL	STAINLESS STEEL 316
11A	P6-11A	REDUX SPRING # 5/8" X 3/8" HIGH INTERNAL SPRING TYPE 11-1	STAINLESS STEEL
11B	P6-11B	REDUX SPRING # 7/8" X 5/16" HIGH EXTERNAL SPRING TYPE 11-1	STAINLESS STEEL
12	P6-12	1/4" THK-2"x6" FORMED BRACKET	3003-H14 ALUMINUM
13A	P6-13A	1/4" THK-3"x4" FORMED BRACKET	3003-H14 ALUMINUM
13B	P6-13B	1/4" THK-3"x4" FORMED BRACKET	3003-H14 ALUMINUM
13C	P6-13C	1/4" THK-3"x4" FORMED BRACKET	3003-H14 ALUMINUM
14	P6-14	1/8" THK-ALU-LOCKING PLATE	3003-H14 ALUMINUM
15	P6-15	# 3/4"x1-11/16" SOCKET HD. BOLT	STAINLESS STEEL A4
19	P6-19	BH651 M16 (# 5/8") HALFEN BOLT	GRADE 8.8 GALV.
20	P6-20	HZ1 38/23 HALFEN CHANNEL	GRADE 8.8 GALV.

REVISIONS	
NO.	DATE

MCY ENGINEERING, INC.
 GLAZING CONSULTANTS
 9110 SW SUNSET DRIVE, P: 305.271.0117
 MIAMI, FL 33173 F: 786.573.5063
 www.MCYEngineering.com MCY.Engineering@att.net

POINT SUPPORT GLASS SYSTEM (S.M.I.)
NR ARCHITECTURAL PRODUCTS
 4348 WESTROADS DRIVE
 WEST PALM BEACH, FLORIDA 33407
 P: (561) 844-1121 F: (561) 844-6131

DATE	09-30-10
SCALE	3/4"=1'
DRAWN	ATA
PROJECT	00-0000
DRAWING NO.	AD10-26
SHEET	6 OF 10

Approved as complying with the Florida Building Code
 Date 03/10/2011
 NOA# 10-1013.12
 Miami Dade Product Control
 By [Signature]

YIPING WANG, P.E.
 FLORIDA REGISTRATION
 PE #55983
 C.A.N. 28677

[Signature]

FEB 04 2011

MIAMI DADE COUNTY

BILL OF MATERIALS:

ITEM #	PART #	DESCRIPTION	MATERIAL
21	P6-21	# 1/16" X 3/8" LG. DRIVE PIN	S/S (C43 ROCKWELL HARDNESS)
23	P6-23	# 3" SPIDER ROUTEL	STAINLESS STEEL 316
24	P6-24	ANCHOR BASE FITTING	STAINLESS STEEL 316
25	P6-25	ANCHOR BASE FITTING PLATE	STAINLESS STEEL 316
26	P6-26	ANCHOR BASE FITTING PLATE	STAINLESS STEEL 316
27	P6-27	# 1/2"-13X2" SQHMB FITTING BOLT	STAINLESS STEEL 316
28	P6-28	# 23/32" OD X # 1/2" ID X 2 1/32" LG. SPIDER BUSHING	STAINLESS STEEL 316
29	P6-29	JAMB CENTER 1-ARM SPIDER	STAINLESS STEEL 316
30	P6-30	CENTER 2-ARM SPIDER	STAINLESS STEEL 316

REVISIONS	
NO.	DATE DESCRIPTION

MCY

MCY ENGINEERING, INC.
GLAZING CONSULTANTS
9110 SW SUNSET DRIVE. P: 305.271.0117
MIAMI, FL 33173 F: 786.573.5063
www.MCYEngineering.com MCY.Engineering@att.net

POINT SUPPORT GLASS SYSTEM (S.M.I.)
NR ARCHITECTURAL PRODUCTS
4348 WESTROADS DRIVE
WEST PALM BEACH, FLORIDA 33407
P: (561) 844-1121 F: (561) 844-6131

Approved as complying with the Florida Building Code
Date 03/10/2011
NOA# 10-1013-12
Miami Dade Product Control
By *[Signature]*

YIPING WANG, P.E.
FLORIDA REGISTRATION
PE #55983
C.A.N. 28677
[Signature]
FEB 04 2011

DATE	09-30-10
SCALE	3/4"=1'
DRAWN	ATA
PROJECT	00-0000
DRAWING NO. AD10-26	
SHEET 7 OF 10	

MIAMI DADE COUNTY

21 STAINLESS STEEL (C43 ROCKWELL HARDNESS)

P6-21 # 1/16" X 3/8" LG. SLOTTED DRIVE PIN

27 STAINLESS STEEL 316

P6-27 # 1/2"-13X2" SQHMB BASE FITTING BOLT

23 STAINLESS STEEL 316

P6-23 # 3" ROUTEL ASSEMBLY

28 STAINLESS STEEL

P6-28 # 23/32" OD X # 1/2" ID X 2 1/32" LONG SPIDER BUSHING

24 STAINLESS STEEL 316

P6-24 ANCHOR BASE FITTING

29 STAINLESS STEEL 316

P6-29 SINGLE ARM (JAMB CENTER)

25 STAINLESS STEEL 316

P6-25 ANCHOR BASE FITTING PLATE

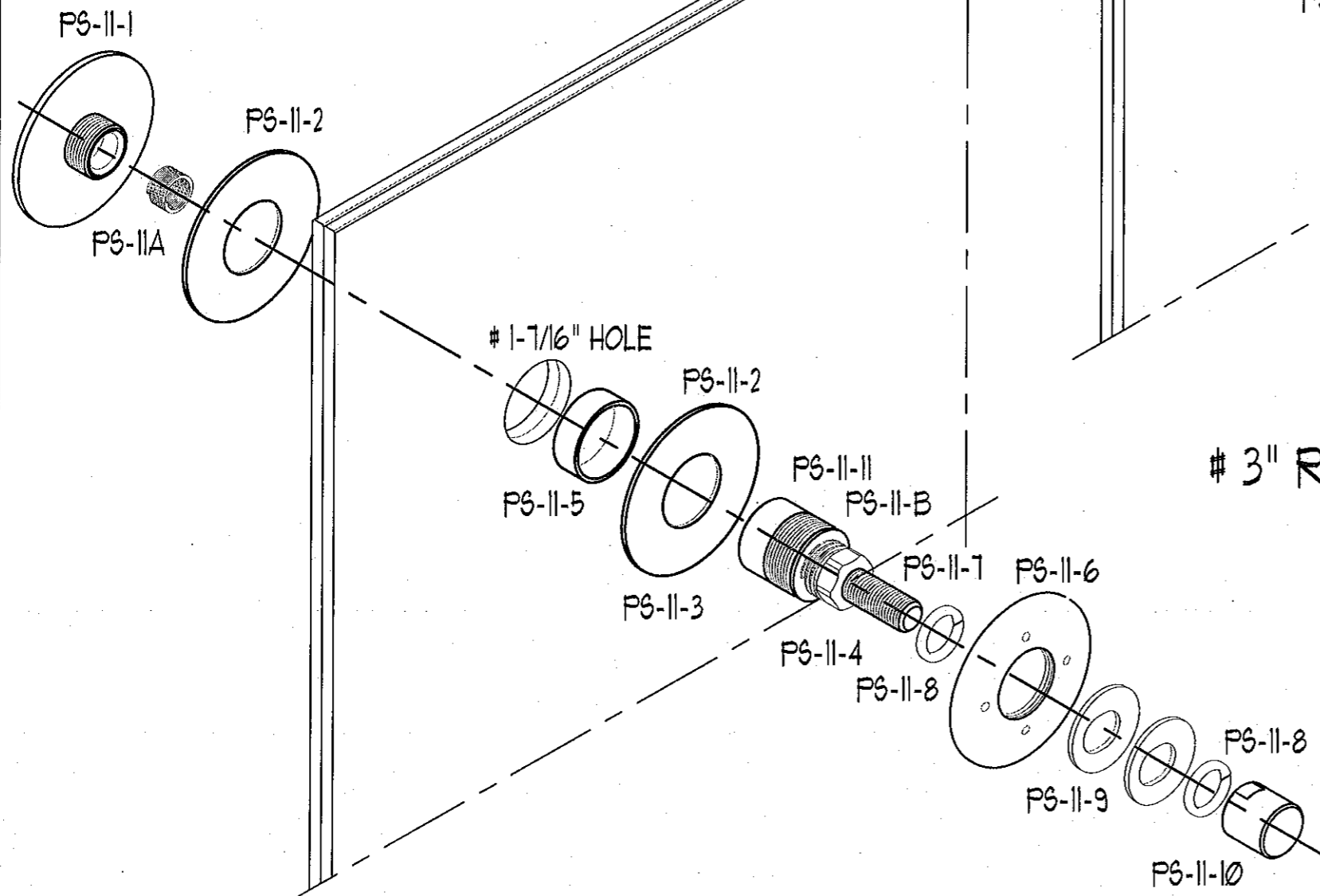
30 STAINLESS STEEL 316

P6-30 DOUBLE ARM (CENTER)

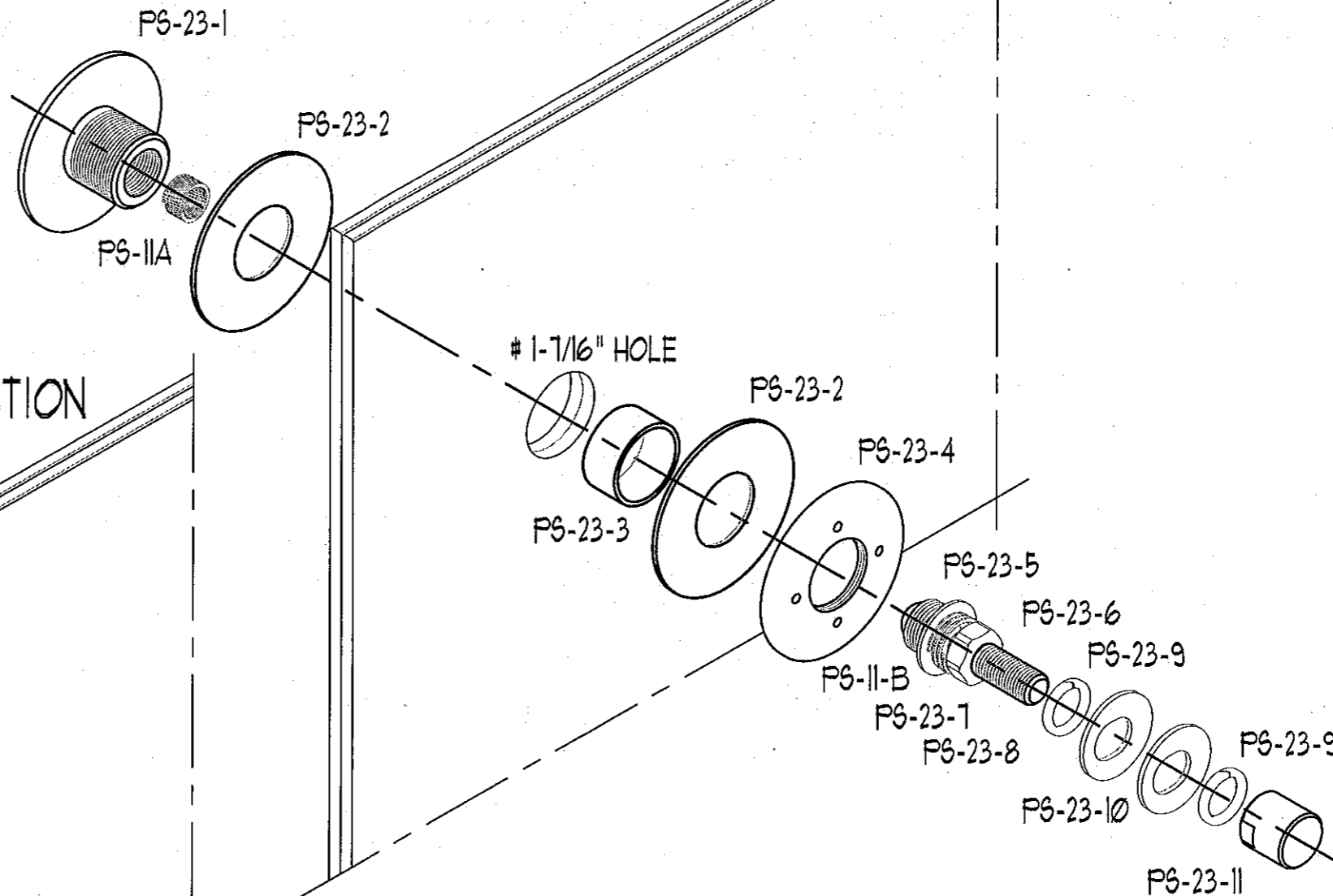
26 STAINLESS STEEL 316

P6-26 ANCHOR BASE FITTING PLATE

3" ROUTEL (PS-II) TO GLASS CONNECTION



3" ROUTEL (PS-23) TO GLASS CONNECTION



Approved as complying with the Florida Building Code
 Date: 03/10/2011
 NOA#: 10-1013-12
 Miami Dade Product Control
 By: *[Signature]*

YIPING WANG, P.E.
 FLORIDA REGISTRATION
 PE #55983
 C.A.N. 28677

FEB 04 2011

MIAMI DADE COUNTY

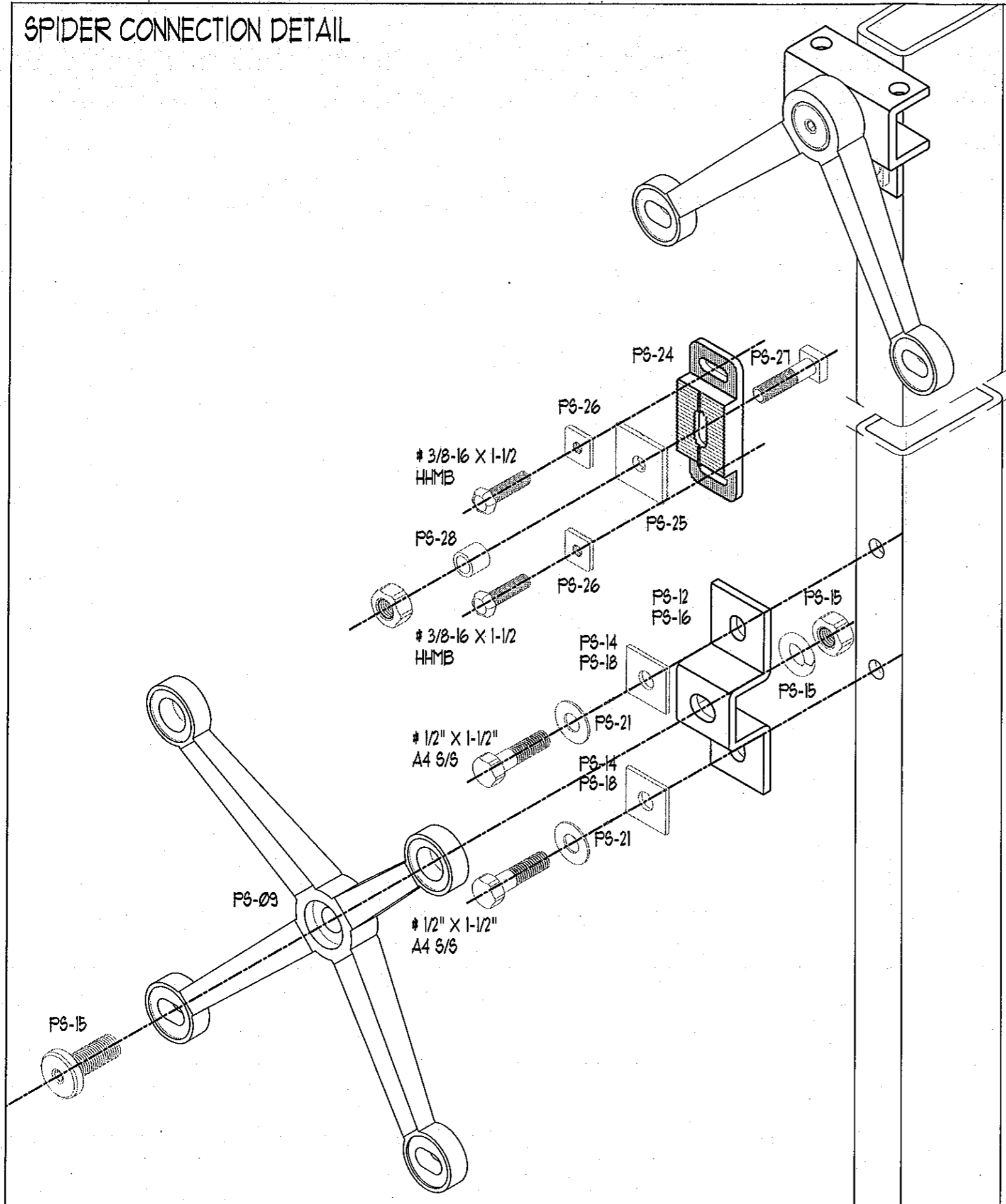
REVISIONS	
NO.	DATE

MCY ENGINEERING, INC.
 GLAZING CONSULTANTS
 9110 SW SUNSET DRIVE
 MIAMI, FL 33173
 P: 305.271.0117
 F: 786.573.5063
 www.MCYEngineering.com
 MCY.Engineering@Att.net

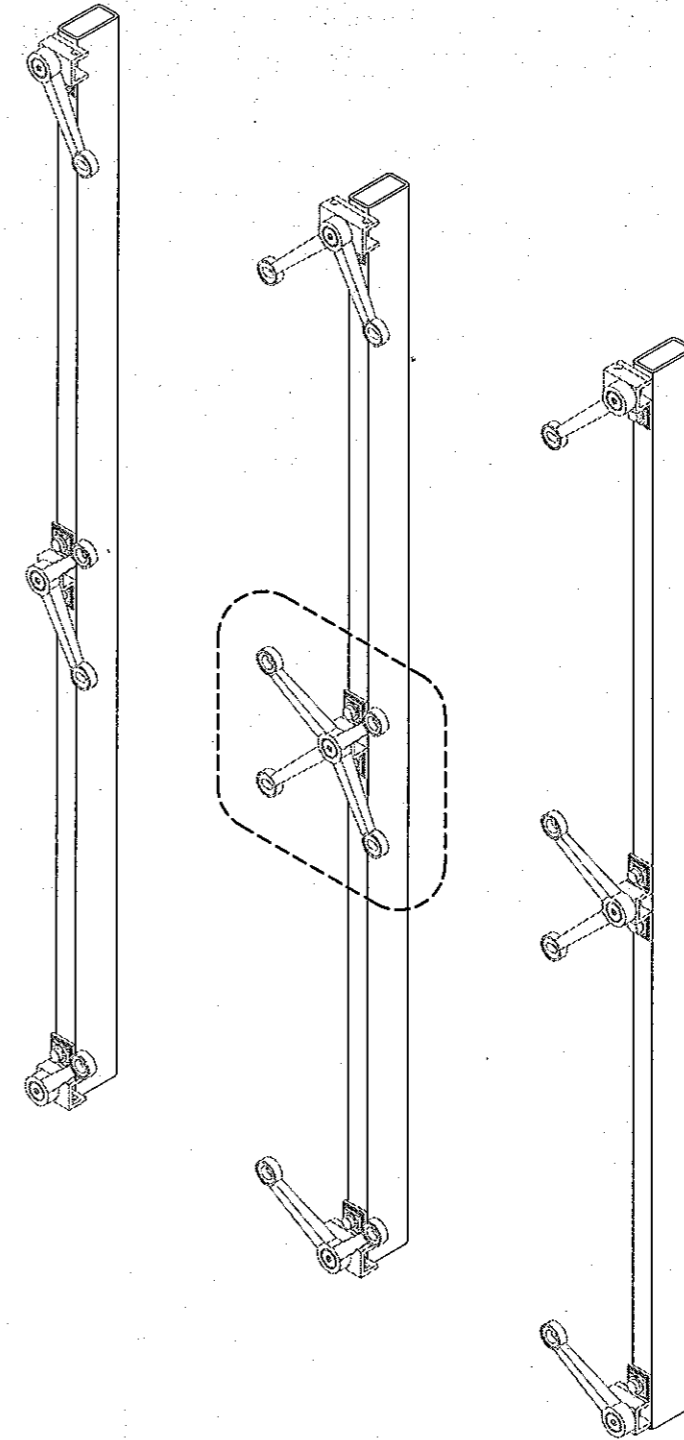
POINT SUPPORT GLASS SYSTEM (S.M.I.)
 NR ARCHITECTURAL PRODUCTS
 4348 WESTROADS DRIVE
 WEST PALM BEACH, FLORIDA 33407
 P: (561) 844-1121 F: (561) 844-6131

DATE	09-30-10
SCALE	3/4"=1'
DRAWN	ATA
PROJECT	00-0000
DRAWING NO.	AD10-26
SHEET	8 OF 10

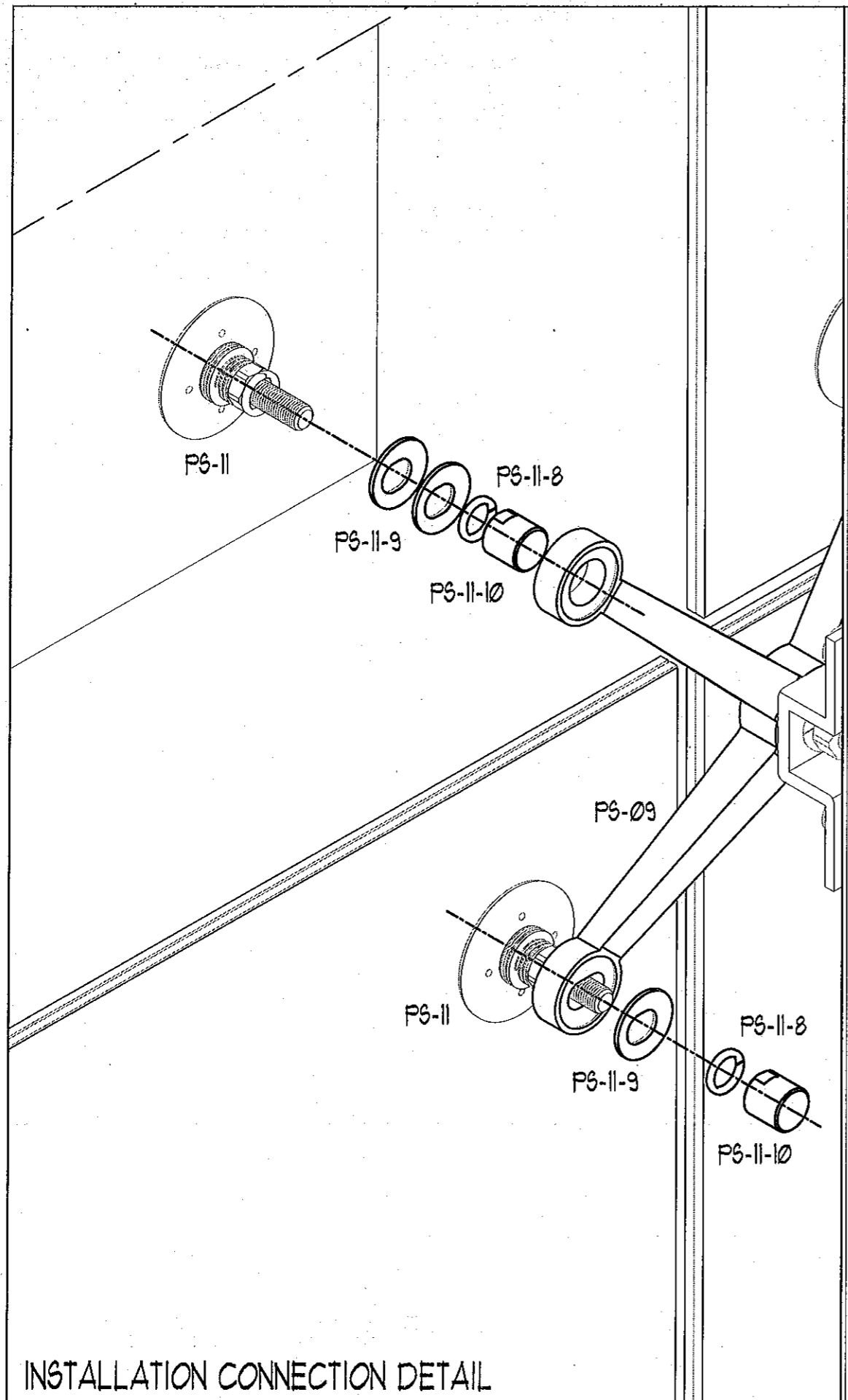
SPIDER CONNECTION DETAIL



SPIDER TO SUBSTRATE CONNECTION

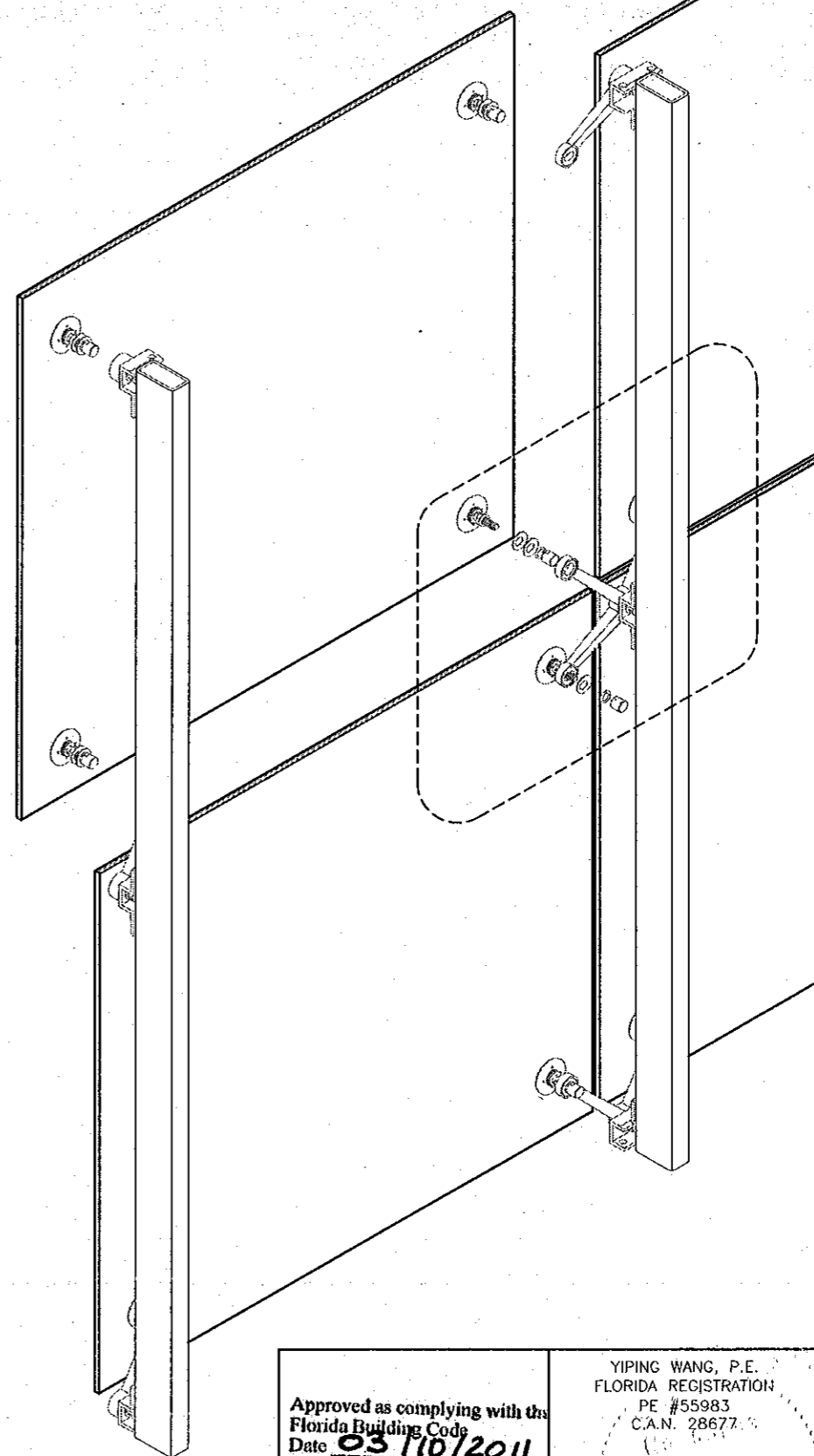


Approved as complying with the Florida Building Code Date 03/10/2011 NOA# 10-1013-12 Miami Dade Product Control By <i>[Signature]</i> MIAMI DADE COUNTY	YIPING WANG, P.E. FLORIDA REGISTRATION PE #55983 C.A.N. 28677												
	FEB 04 2011												
POINT SUPPORT GLASS SYSTEM (S.M.I.) NR ARCHITECTURAL PRODUCTS 4348 WESTROADS DRIVE WEST PALM BEACH, FLORIDA 33407 P: (561) 844-1121 F: (561) 844-6131	REVISIONS <table border="1"> <thead> <tr> <th>NO.</th> <th>DATE</th> <th>DESCRIPTION</th> </tr> </thead> <tbody> <tr> <td> </td> <td> </td> <td> </td> </tr> <tr> <td> </td> <td> </td> <td> </td> </tr> <tr> <td> </td> <td> </td> <td> </td> </tr> </tbody> </table>	NO.	DATE	DESCRIPTION									
NO.	DATE	DESCRIPTION											
MCY ENGINEERING, INC. GLAZING CONSULTANTS 9110 SW SUNSET DRIVE. P: 305.271.0117 MIAMI, FL 33173 F: 786.573.5063 www.MCYEngineering.com MCY.Engineering@Att.net	DRAWING NO. AD10-26 SHEET 9 OF 10												



INSTALLATION CONNECTION DETAIL

GLASS INSTALLATION



Approved as complying with the
 Florida Building Code
 Date **03/10/2011**
 NOA# **10-1013.12**
 Miami Dade Product Control
 By *[Signature]*

YIPING WANG, P.E.
 FLORIDA REGISTRATION
 PE #55983
 C.A.N. 28677
FEB 04 2011

<p>MCY ENGINEERING, INC. GLAZING CONSULTANTS 9110 SW SUNSET DRIVE. P: 305.271.0117 MIAMI, FL. 33173 F: 786.573.5063 www.MCYEngineering.com MCY.Engineering@Att.net</p>		<p>REVISIONS</p> <table border="1"> <thead> <tr> <th>NO.</th> <th>DATE</th> <th>DESCRIPTION</th> </tr> </thead> <tbody> <tr> <td> </td> <td> </td> <td> </td> </tr> <tr> <td> </td> <td> </td> <td> </td> </tr> <tr> <td> </td> <td> </td> <td> </td> </tr> </tbody> </table>		NO.	DATE	DESCRIPTION									
NO.	DATE	DESCRIPTION													
<p>POINT SUPPORT GLASS SYSTEM (S.M.I.) NR ARCHITECTURAL PRODUCTS 4348 WESTROADS DRIVE WEST PALM BEACH, FLORIDA 33407 P: (561) 844-1121 F: (561) 844-6131</p>		<p>DATE: 09-30-10 SCALE: 3/4"=1' DRAWN: ATA PROJECT: 00-0000</p>													
<p>DRAWING NO. AD10-26</p>		<p>SHEET 10 OF 10</p>													