



BUILDING AND NEIGHBORHOOD COMPLIANCE DEPARTMENT (BNC)
BOARD AND CODE ADMINISTRATION DIVISION

MIAMI-DADE COUNTY, FLORIDA
PRODUCT CONTROL SECTION
11805 SW 26th Street, Room 208
Miami, Florida 33175-2474
T (786) 315-2590 F (786) 315-2599

www.miamidade.gov/building

NOTICE OF ACCEPTANCE (NOA)

N. R. Architectural Products, Inc.
4348 Westroads Drive
West Palm Beach, FL 33407

SCOPE:

This NOA is being issued under the applicable rules and regulations governing the use of construction materials. The documentation submitted has been reviewed by Miami-Dade County Product Control Section and accepted by the Board of Rules and Appeals (BORA) to be used in Miami-Dade County and other areas where allowed by the Authority Having Jurisdiction (AHJ).

This NOA shall not be valid after the expiration date stated below. The Miami-Dade County Product Control Section (In Miami-Dade County) and/or the AHJ (in areas other than Miami-Dade County) reserve the right to have this product or material tested for quality assurance purposes. If this product or material fails to perform in the accepted manner, the manufacturer will incur the expense of such testing and the AHJ may immediately revoke, modify, or suspend the use of such product or material within their jurisdiction. BORA reserves the right to revoke this acceptance, if it is determined by Miami-Dade County Product Control Section that this product or material fails to meet the requirements of the applicable building code. This product is approved as described herein, and has been designed to comply with the Florida Building Code, including the High Velocity Hurricane Zone.

DESCRIPTION: Series "Point Support Glass" Aluminum Curtain Wall System – L.M.I.

APPROVAL DOCUMENT: Drawing No. AD10-25, titled "Point Support Glass System (L.M.I.)", sheets 1 through 10 of 10, dated 09/30/10 with the latest revision dated 02/09/11, prepared by MCY Engineering, Inc., signed and sealed by Yiping Wang, P. E., bearing the Miami-Dade County Product Control Approval stamp with the Notice of Acceptance number and Approval date by the Miami-Dade County Product Control Section.

MISSILE IMPACT RATING: Large and Small Missile Impact Resistant.

LABELING: Each unit shall bear a permanent label with the manufacturer's name or logo, city, state and following statement: "Miami-Dade County Product Control Approved", unless otherwise noted herein.

RENEWAL of this NOA shall be considered after a renewal application has been filed and there has been no change in the applicable building code negatively affecting the performance of this product.

TERMINATION of this NOA will occur after the expiration date or if there has been a revision or change in the materials, use, and/or manufacture of the product or process. Misuse of this NOA as an endorsement of any product, for sales, advertising or any other purposes shall automatically terminate this NOA. Failure to comply with any section of this NOA shall be cause for termination and removal of NOA.

ADVERTISEMENT: The NOA number preceded by the words Miami-Dade County, Florida, and followed by the expiration date may be displayed in advertising literature. If any portion of the NOA is displayed, then it shall be done in its entirety.

INSPECTION: A copy of this entire NOA shall be provided to the user by the manufacturer or its distributors and shall be available for inspection at the job site at the request of the Building Official. This NOA consists of this page 1, evidence page E-1, as well as approval document mentioned above. The submitted documentation was reviewed by **Jaime D. Gascon, P. E.**



J. Gascon
2/17/11

NOA No. 10-1013.11
Expiration Date: March 10, 2016
Approval Date: March 10, 2011
Page 1

NOTICE OF ACCEPTANCE: EVIDENCE SUBMITTED

A. DRAWINGS

1. Manufacturer's die drawings and sections.
2. Drawing No **AD10-25**, titled "Point Support Glass System (L.M.I.)", sheets 1 through 10 of 10, dated 09/30/10 with the latest revision dated 02/09/11, prepared by MCY Engineering, Inc., signed and sealed by Yiping Wang, P. E.

B. TESTS

1. Test reports on:
 - 1) Air Infiltration Test, per FBC, TAS 202-94
 - 2) Uniform Static Air Pressure Test, Loading per FBC TAS 202-94
 - 3) Water Resistance Test, per FBC, TAS 202-94
 - 4) Large Missile Impact Test per FBC, TAS 201-94
 - 5) Cyclic Wind Pressure Loading per FBC, TAS 203-94
 - 6) Forced Entry Test, per FBC 2411 3.2.1, TAS 202-94

along with marked-up drawings and installation diagram of Point Support Glass System, prepared by Hurricane Test Laboratory, LLC, Test Reports No.'s **HTL-0242-0201-10** and **HTL-0242-0607-10**, dated 07/23 and 03/25/2010, both signed and sealed by Vinu J. Abraham, P. E.

C. CALCULATIONS

1. Anchor verification calculations and structural analysis, complying with FBC-2007, prepared by MCY Engineering, Inc., dated 10/06/10, signed and sealed by Yiping Wang, P. E.
Complies with ASTM E1300-04

D. QUALITY ASSURANCE

1. Miami-Dade Building and Neighborhood Compliance Department (BNC).

E. MATERIAL CERTIFICATIONS

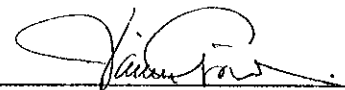
1. Notice of Acceptance No. **10-0413.04** issued to E.I. DuPont DeNemours & Co., Inc. for their "**DuPont Sentry Glass® Interlayer**" dated 05/26/2010, expiring on 01/14/12.

F. STATEMENTS

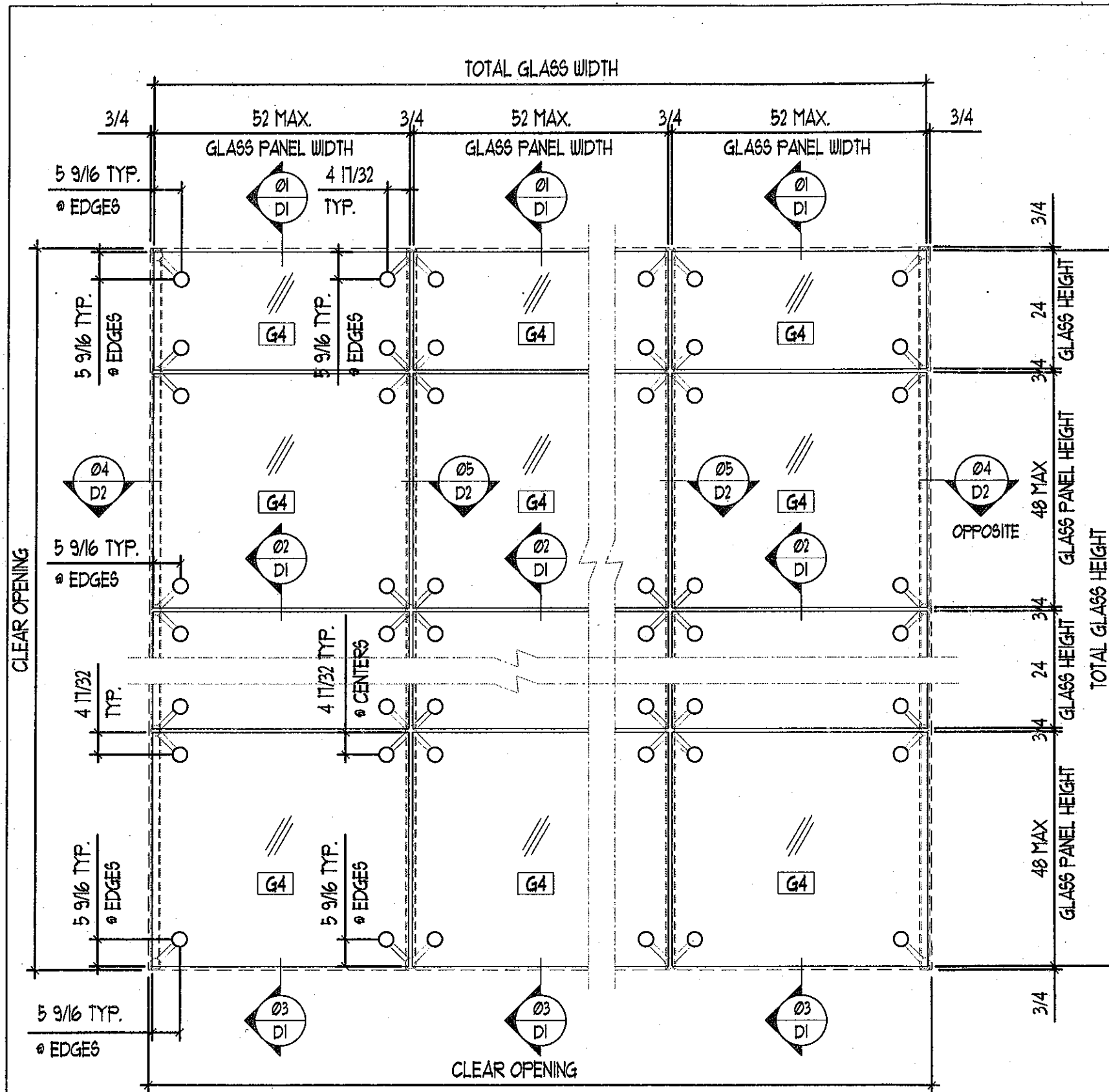
1. Statement letter of conformance, no financial interest and compliance with the FBC 2007, dated September 28, 2010, signed and sealed by Yiping Wang, P. E.
2. Laboratory compliance letter for Test Reports No.'s **HTL-0242-0201-10** and **HTL-0242-0607-10**, issued by Hurricane Test Laboratory, LLC, dated 07/23 and 03/25/2010, both signed and sealed by Vinu J. Abraham, P. E.

G. OTHERS

1. None.



Jaime D. Gascon, P. E.
Product Control Section Supervisor
NOA No. 10-1013.11
Expiration Date: March 10, 2016
Approval Date: March 10, 2011



TYPICAL ELEVATION-FOUR (4) POINT SUPPORTED GLASS
 DESIGN LOAD: +128.5 / -128.5 PSF

GENERAL NOTES:

- THIS PRODUCT HAS BEEN DESIGNED AND TESTED TO COMPLY WITH THE REQUIREMENTS OF THE FLORIDA BUILDING CODE 2007 EDITION INCLUDING HIGH VELOCITY HURRICANE ZONE (HVHZ).
- FOUR (4) OR SIX (6) POINT SUPPORT GLASS SYSTEM RATED FOR LARGE MISSILE IMPACT AND DO NOT REQUIRE SHUTTERS.
- THESE POINT SUPPORT GLASS SYSTEM ARE APPROVED FOR AIR AND WATER INFILTRATION.
- CODE REQUIREMENTS FOR SAFEGUARDS MUST BE OBSERVED.
- ANCHORING OR LOADING CONDITIONS NOT SHOWN IN THESE DETAILS ARE NOT PART OF THIS APPROVAL.
- MATERIALS INCLUDING BUT NOT LIMITED TO STEEL/METAL SCREWS THAT COME INTO CONTACT WITH OTHER DISSIMILAR MATERIALS SHALL MEET THE REQUIREMENTS OF 2007 FBC SECTION 2003.8.4.
- SUPPORTING STRUCTURES NOT BY NR ARCHITECTURAL PRODUCTS MUST SUPPORT LOADS IMPOSED BY POINT SUPPORT GLASS SYSTEM AND TRANSFER THEM TO THE BUILDING STRUCTURE.
- SUPPORTING STEEL STRUCTURE DESIGN AND ANCHORS SHALL BE CAPABLE OF RESISTING LOADS IMPOSED BY CURTAIN WALL UNDER MAXIMUM DESIGN LOADS AND BE APPROVED BY STRUCTURAL ENGINEER OF RECORDS (EOR).
- GLASS CAPACITY ARE BASED ON ASTM E1300-04 (3 SEC. GUEST).
- ALL DIMENSION UNIT NOT SPECIFIED SHOULD BE IN INCHES.

Approved as complying with the
 Florida Building Code
 Date **03/10/2011**
 NOA# **10-1013.11**
 Miami Dade Product Control
 By *[Signature]*

YIPING WANG, P.E.
 FLORIDA REGISTRATION
 PE #55983
 C.A.N. 28677

[Signature]
FEB 04 2011

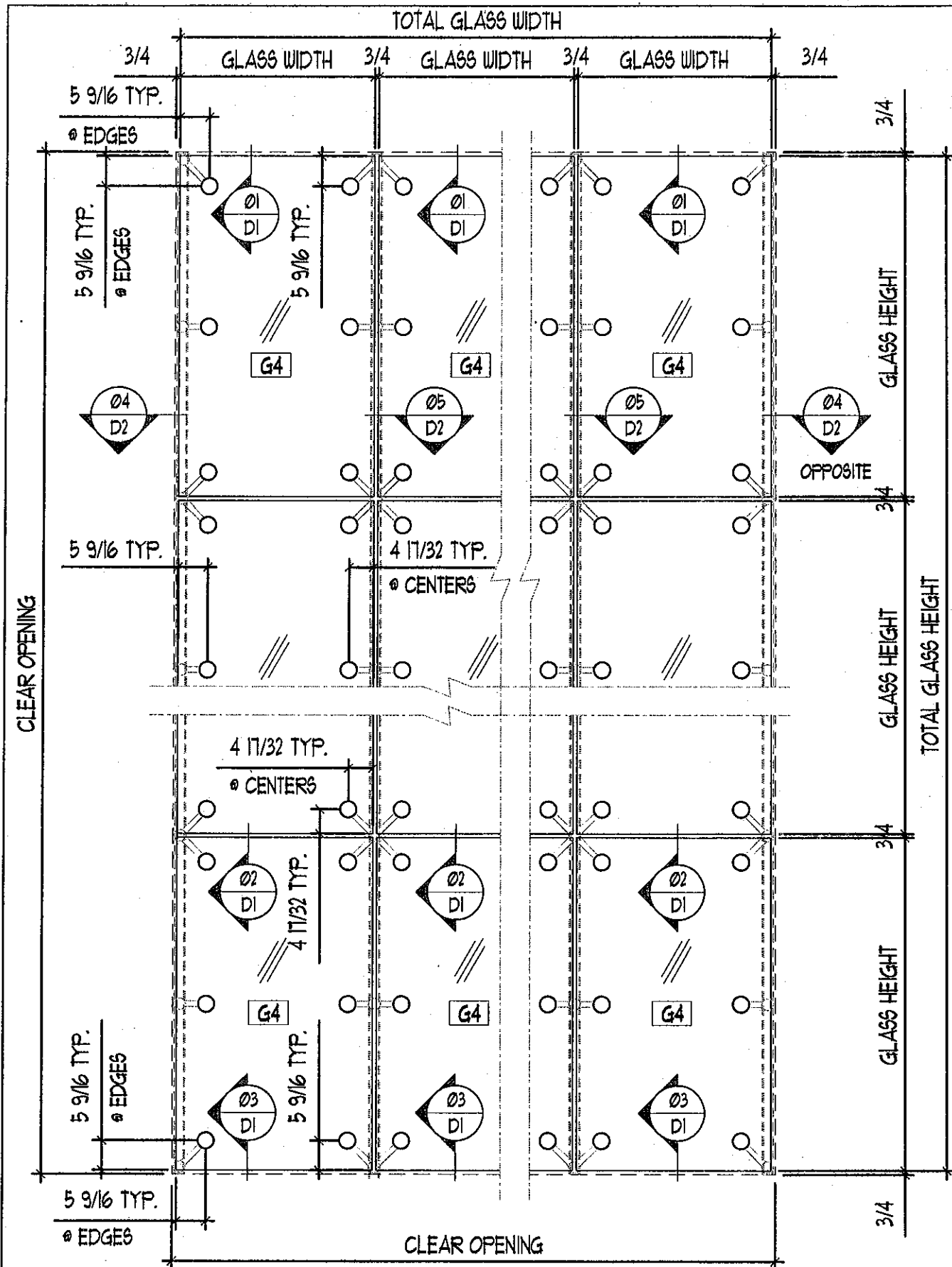
MIAMI DADE COUNTY

| NO. | DATE | DESCRIPTION |
|-----|------|-------------|
| | | |
| | | |
| | | |

MCY ENGINEERING, INC.
 GLAZING CONSULTANTS
 9110 SW SUNSET DRIVE. P: 305.271.0117
 MIAMI, FL 33173 F: 786.573.5063
 www.MCYEngineering.com MCY.Engineering@Att.net

POINT SUPPORT GLASS SYSTEM (L.M.I.)
 NR ARCHITECTURAL PRODUCTS
 4348 WESTROADS DRIVE
 WEST PALM BEACH, FLORIDA 33407
 P: (561) 844-1121 F: (561) 844-6131

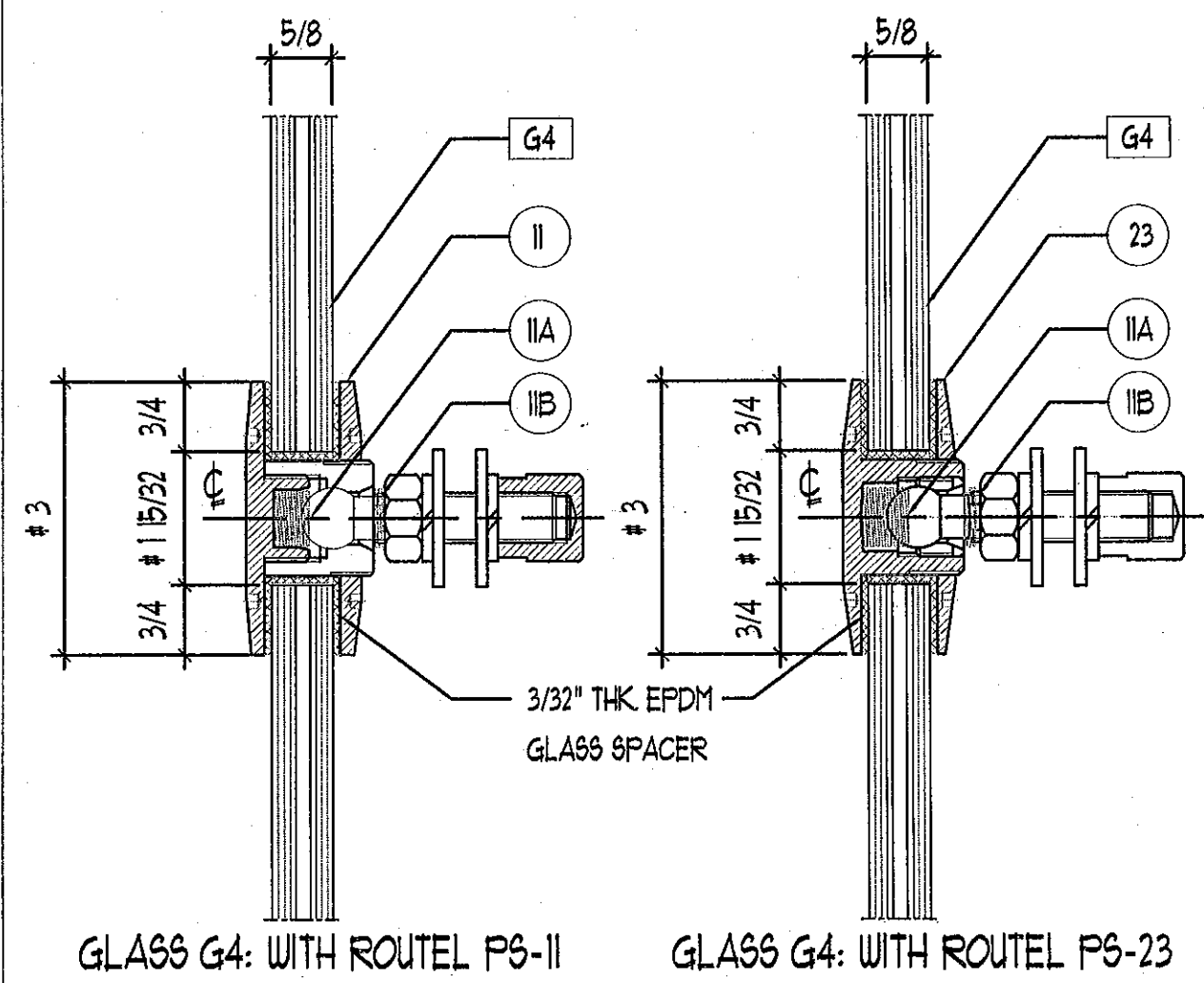
| | |
|---------------|----------|
| DATE | 09/30/10 |
| SCALE | AS SHOWN |
| DRAWN | ATA |
| PROJECT | 00-0000 |
| DRAWING NO. | AD10-25 |
| SHEET 1 OF 10 | |



TYPICAL ELEVATION-SIX (6) POINT SUPPORTED GLASS
 DESIGN LOAD: REFER TO SHEET 5 OF 10

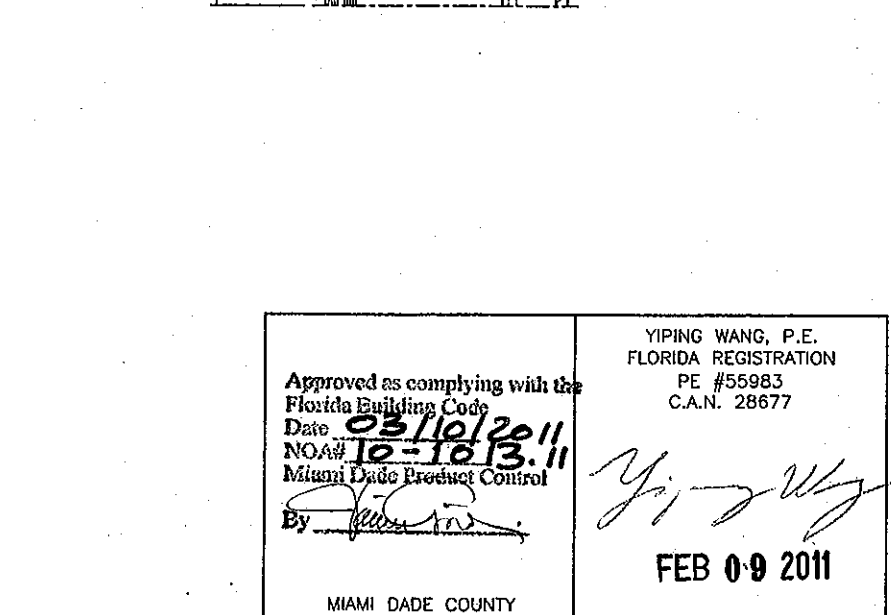
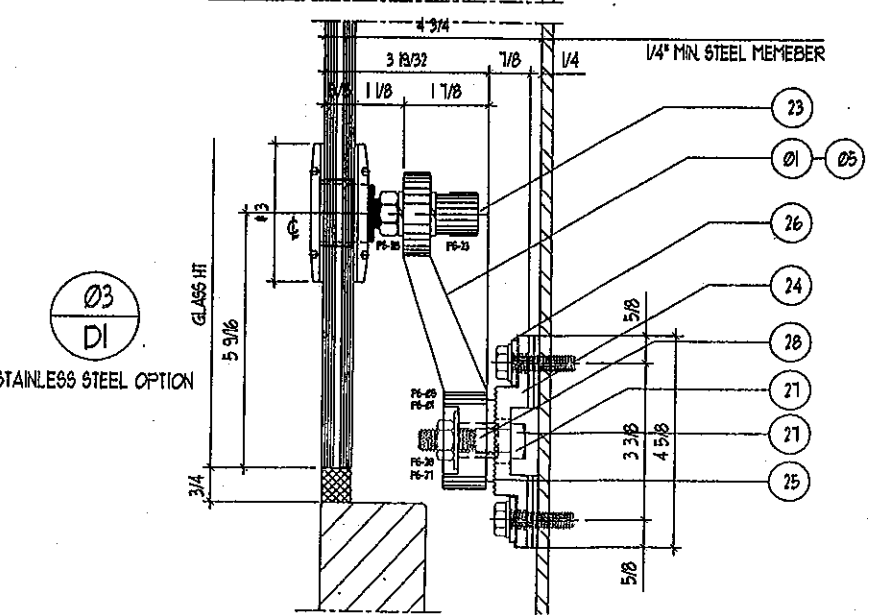
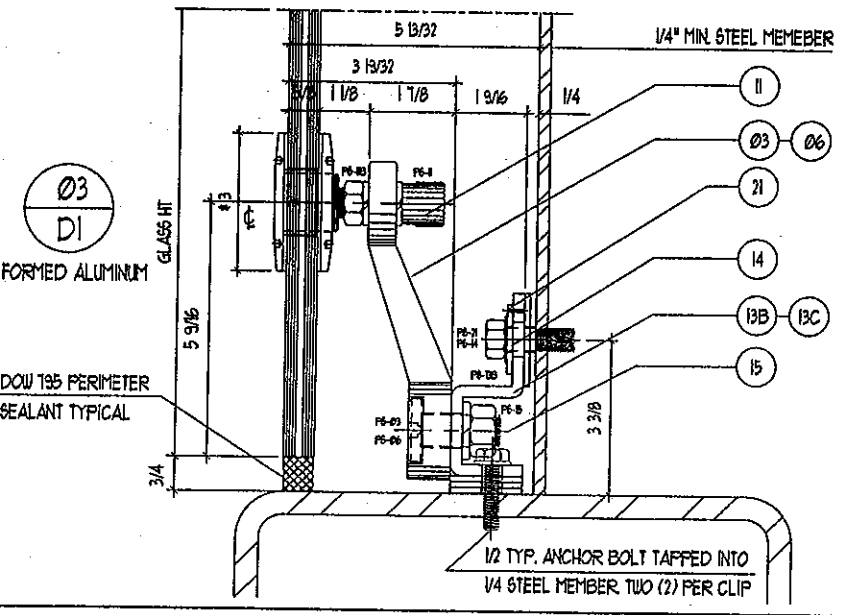
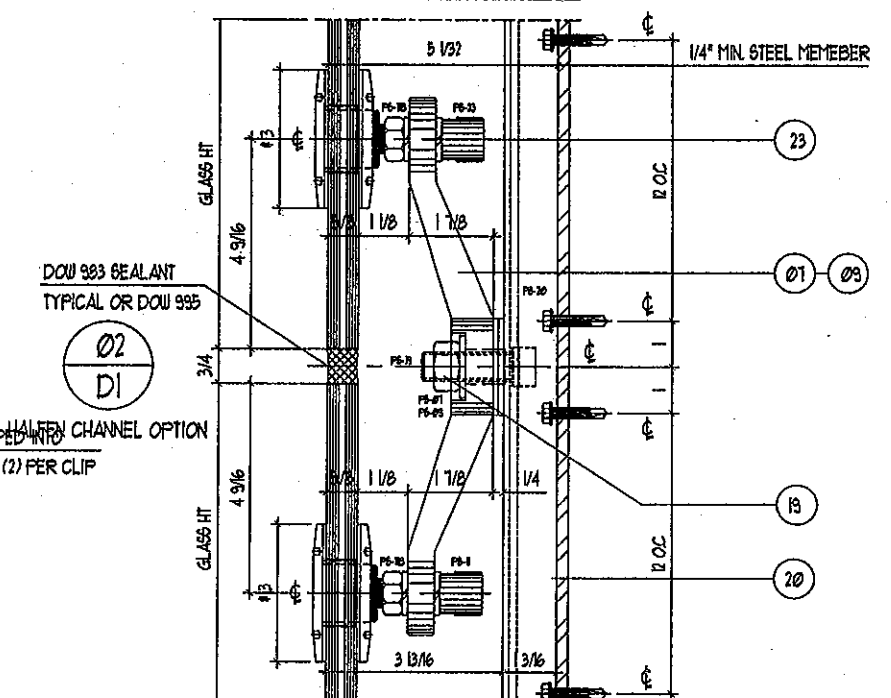
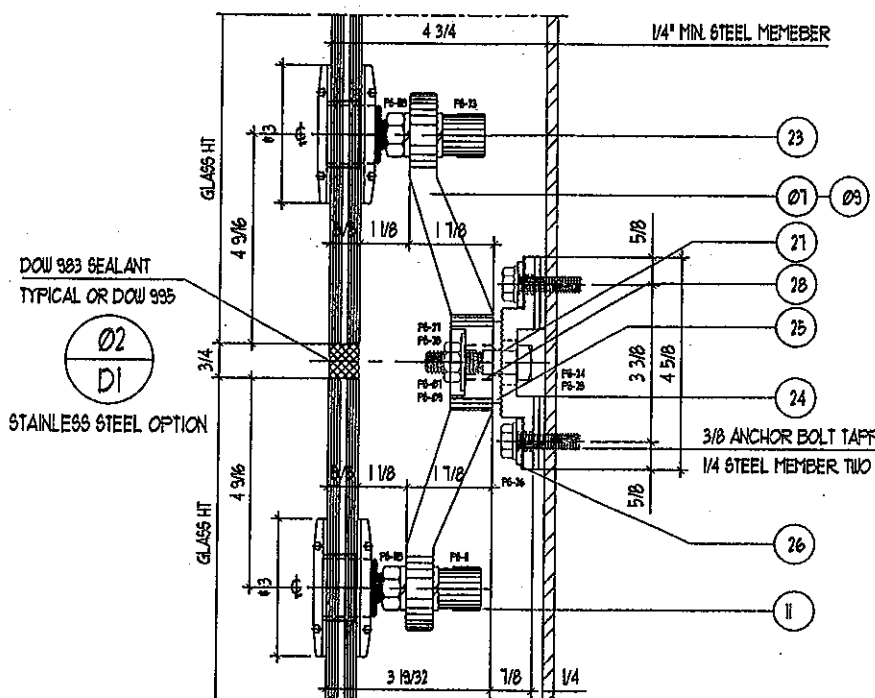
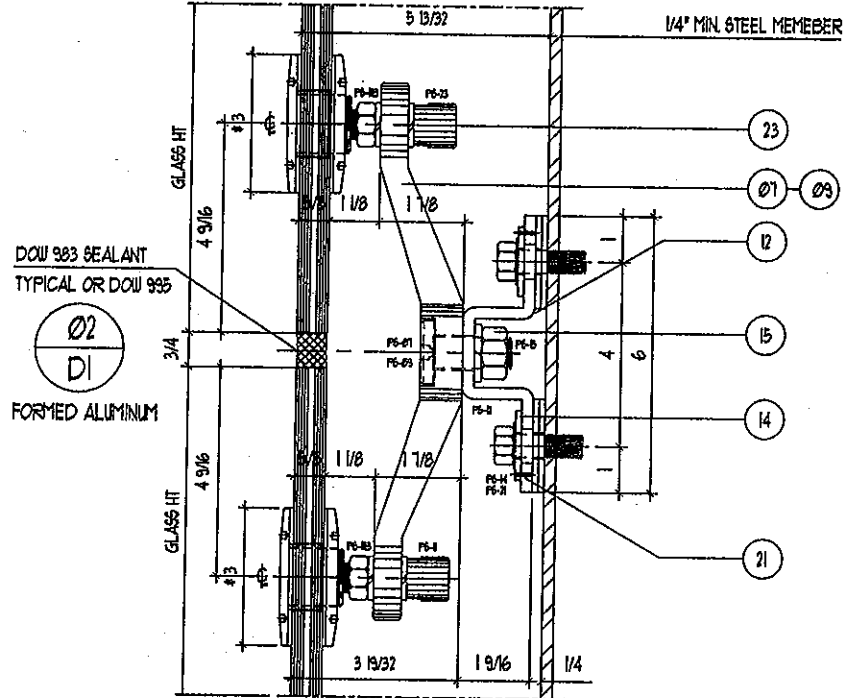
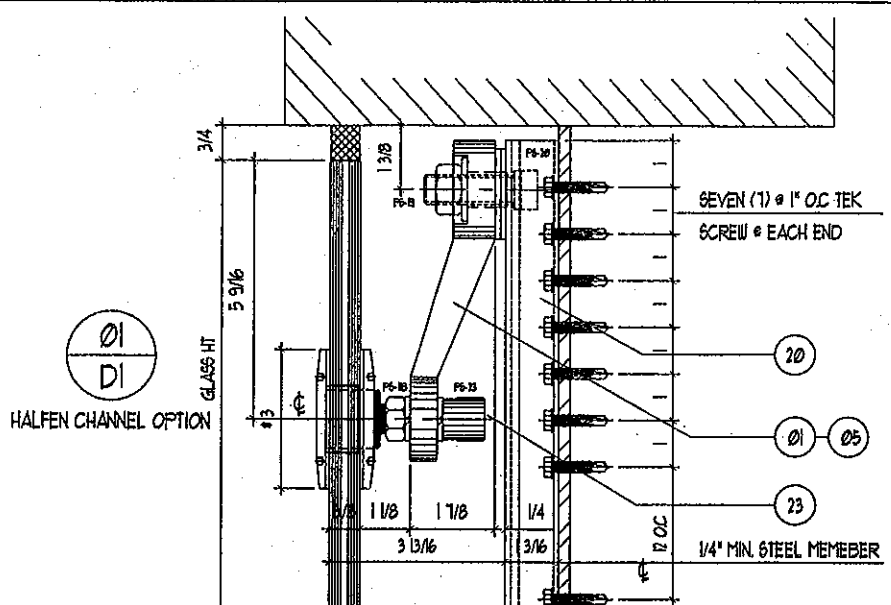
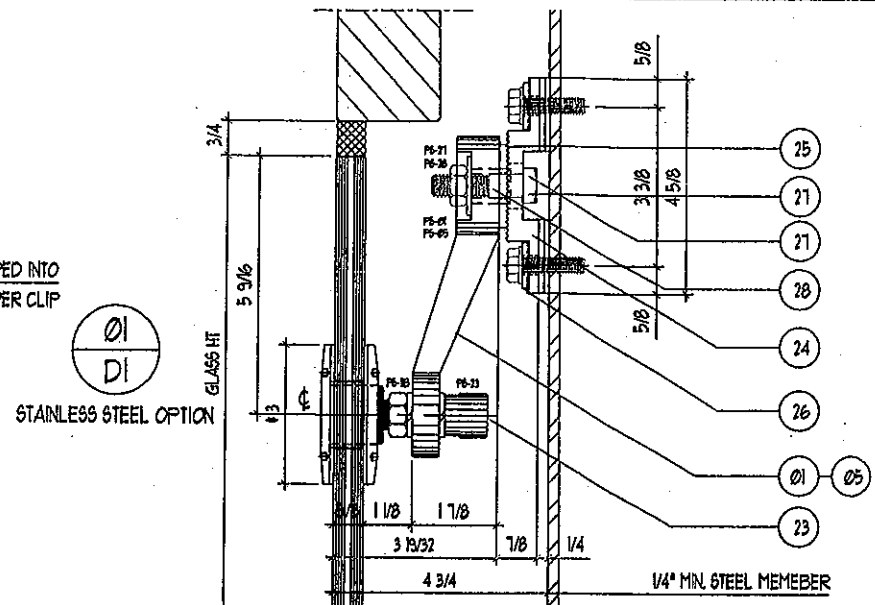
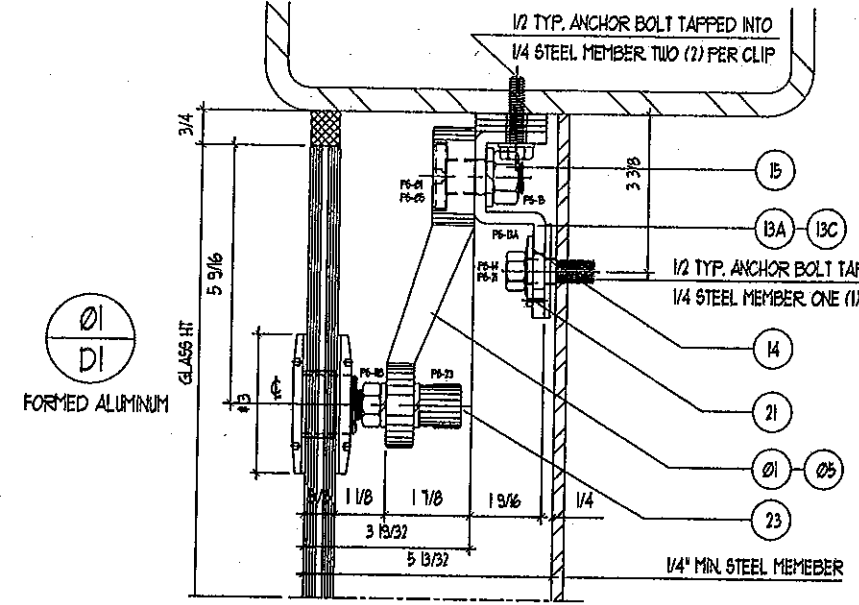
GLASS SPECS:

G4 15.98 (5/8") LAMINATED VISION GLASS
 5.1 (1/4") CLEAR TEMPERED + 0.180 DUPONT SENTRYGLAS
 IONOPLAST + 5.1 (1/4") CLEAR TEMPERED.



| | |
|-----------------------------------------------------------------------------------------------------------------------------------------------------------------------------------------|---------------------------------------------------------------------------------------------------------|
| Approved as complying with the Florida Building Code Date <u>03/10/2011</u> NOA# <u>10-1013.11</u> Miami Dade Product Control By <u>[Signature]</u> MIAMI DADE COUNTY | YIPING WANG, P.E. FLORIDA REGISTRATION PE #55983 C.A.N. 28677 |
| | DATE 04/09/10 SCALE AS SHOWN DRAWN ATA PROJECT 00-0000 DRAWING NO. AD10-25 SHEET 2 OF 10 |

| MCY ENGINEERING, INC. GLAZING CONSULTANTS 9110 SW SUNSET DRIVE, P: 305.271.0117 MIAMI, FL 33173 F: 786.573.5063 www.MCYEngineering.com MCY.Engineering@Att.net | | | | | | | | | | |
|--------------------------------------------------------------------------------------------------------------------------------------------------------------------------------------------------------------------------------------|------|-------------|------|-------------|--|--|--|--|--|--|
| POINT SUPPORT GLASS SYSTEM (L.M.I.) NR ARCHITECTURAL PRODUCTS 4348 WESTROADS DRIVE WEST PALM BEACH, FLORIDA 33407 P: (561) 844-1121 F: (561) 844-6131 | | | | | | | | | | |
| REVISIONS <table border="1"> <thead> <tr> <th>NO.</th> <th>DATE</th> <th>DESCRIPTION</th> </tr> </thead> <tbody> <tr> <td> </td> <td> </td> <td> </td> </tr> <tr> <td> </td> <td> </td> <td> </td> </tr> </tbody> </table> | | NO. | DATE | DESCRIPTION | | | | | | |
| NO. | DATE | DESCRIPTION | | | | | | | | |
| | | | | | | | | | | |
| | | | | | | | | | | |



Approved as complying with the
Florida Building Code
Date 03/10/2011
NOA# 10-1013.11
Miami Dade Product Control
By [Signature]

YIPING WANG, P.E.
FLORIDA REGISTRATION
PE #55983
C.A.N. 28677

MIAMI DADE COUNTY

FEB 09 2011

| REVISIONS | |
|-----------|-------------|
| NO. | DESCRIPTION |
| | |
| | |
| | |

MCY

MCY ENGINEERING, INC.
GLAZING CONSULTANTS

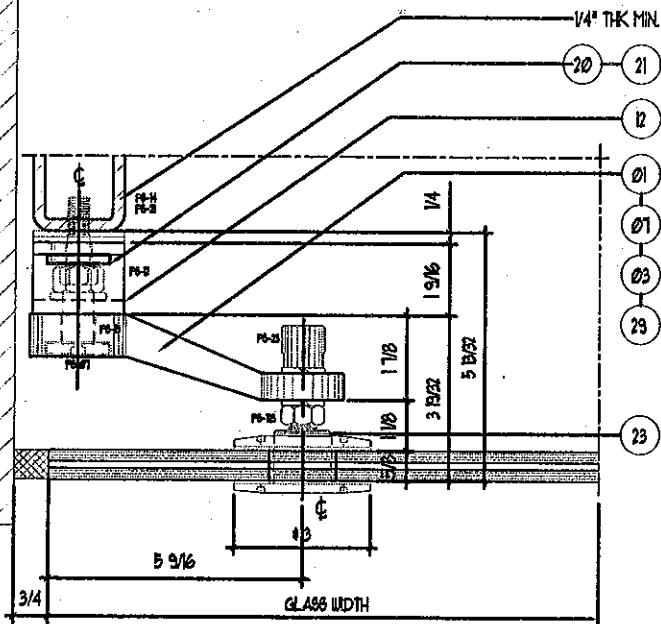
9110 SW SUNSET DRIVE. P: 305.271.0117
MIAMI, FL 33173 F: 786.573.5063

www.MCYEngineering.com MCY.Engineering@Att.net

POINT SUPPORT GLASS SYSTEM (L.M.I.)
NR ARCHITECTURAL PRODUCTS

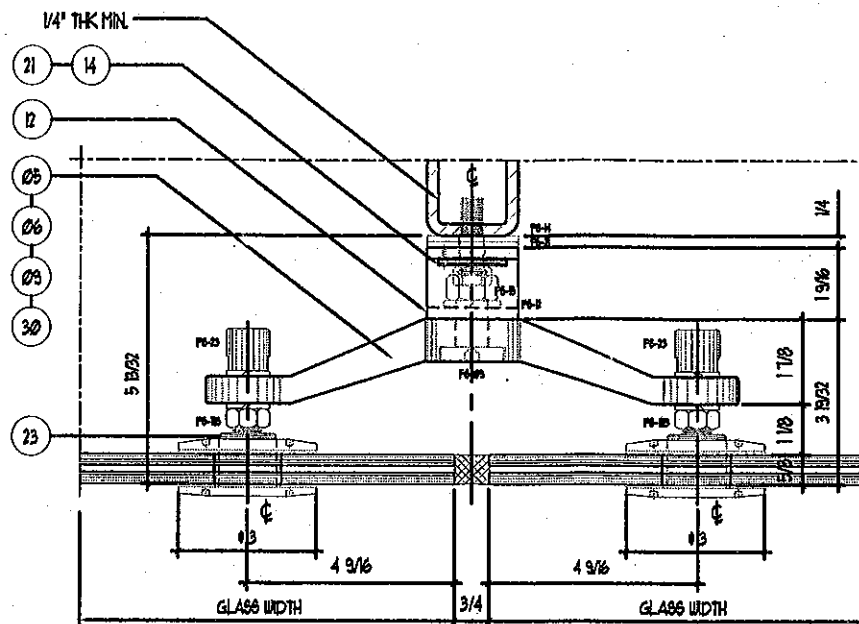
4348 WESTROADS DRIVE
WEST PALM BEACH, FLORIDA 33407
P: (561) 844-1121 F: (561) 844-6131

| | |
|---------------|----------|
| DATE | 09-30-10 |
| SCALE | 3":1" |
| DRAWN | ATA |
| PROJECT | 00-0000 |
| DRAWING NO. | AD10-25 |
| SHEET 3 OF 10 | |



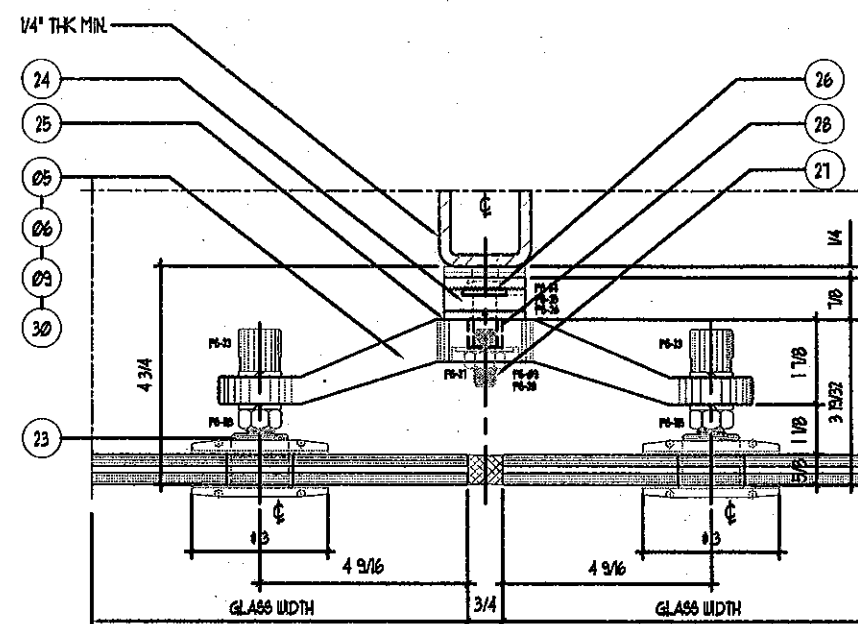
04
D2

FORMED ALUMINUM



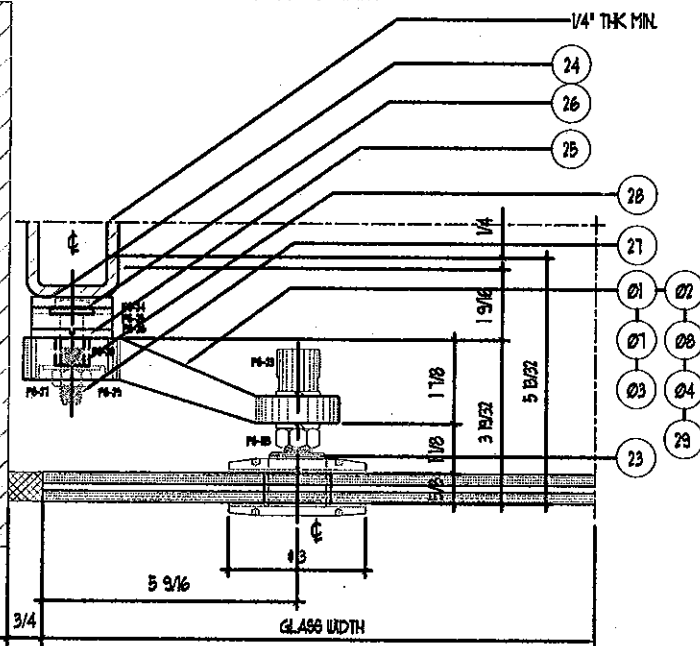
05
D2

FORMED ALUMINUM



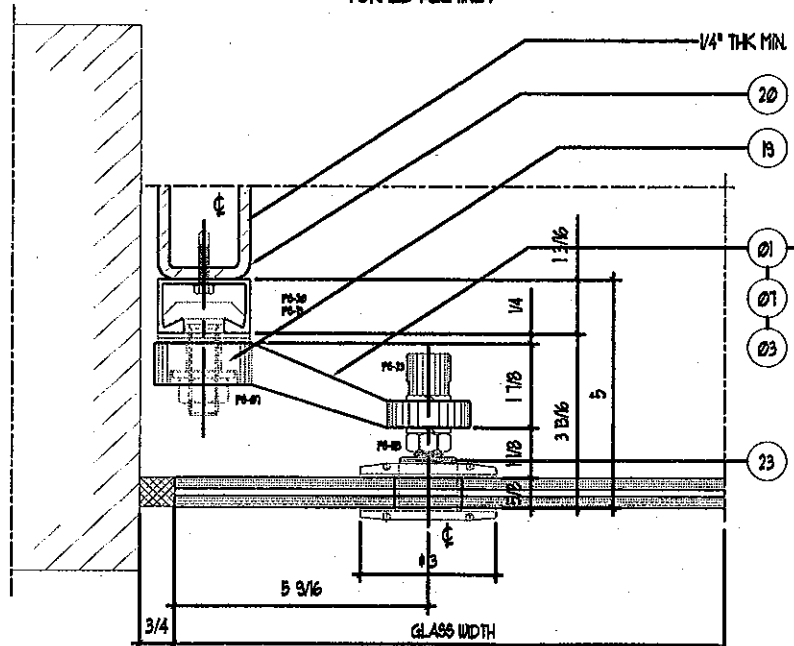
05
D2

STAINLESS STEEL OPTION



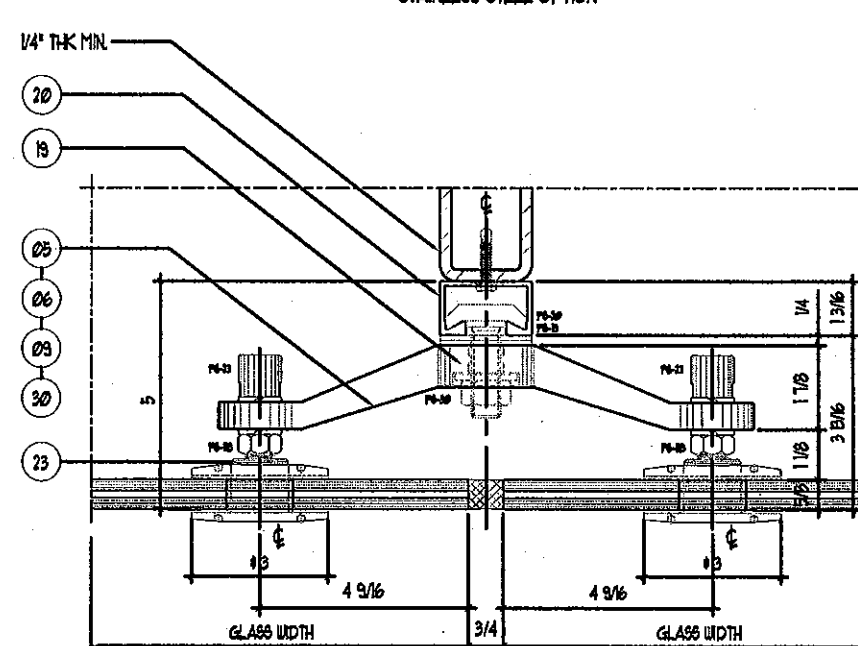
04
D2

STAINLESS STEEL OPTION



04
D2

HALFEN CHANNEL OPTION



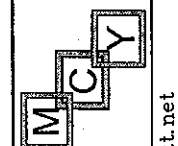
05
D2

HALFEN CHANNEL OPTION

Approved as complying with the Florida Building Code
 Date 03/10/2011
 NOA# 10-1013.11
 Miami Dade Product Control
 By *[Signature]*
 YIPING WANG, P.E.
 FLORIDA REGISTRATION
 PE #55983
 C.A.N. 28677
 FEB 04 2011

MIAMI DADE COUNTY

| NO. | DATE | DESCRIPTION |
|-----|------|-------------|
| | | |
| | | |
| | | |



MCY ENGINEERING, INC.
 GLAZING CONSULTANTS

9110 SW SUNSET DRIVE.
 MIAMI, FL 33173
 P: 305.271.0117
 F: 786.573.5063
 www.MCYEngineering.com
 MCY.Engineering@Att.net

POINT SUPPORT GLASS SYSTEM (L.M.I.)
 NR ARCHITECTURAL PRODUCTS

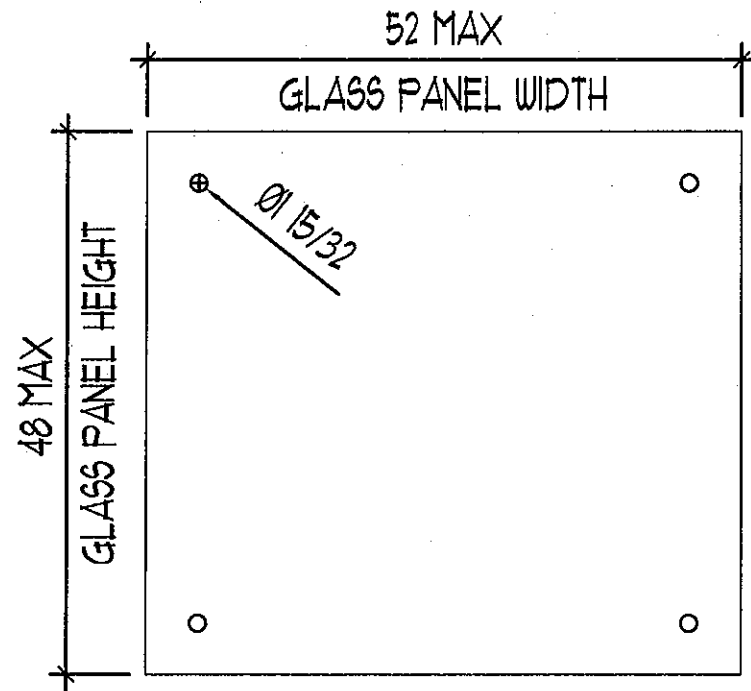
4348 WESTROADS DRIVE
 WEST PALM BEACH, FLORIDA 33407
 P: (561) 844-1121 F: (561) 844-6131

| | |
|---------|----------|
| DATE | 09-30-10 |
| SCALE | 3":1" |
| DRAWN | ATA |
| PROJECT | 00-0000 |

DRAWING NO.
 AD10-25

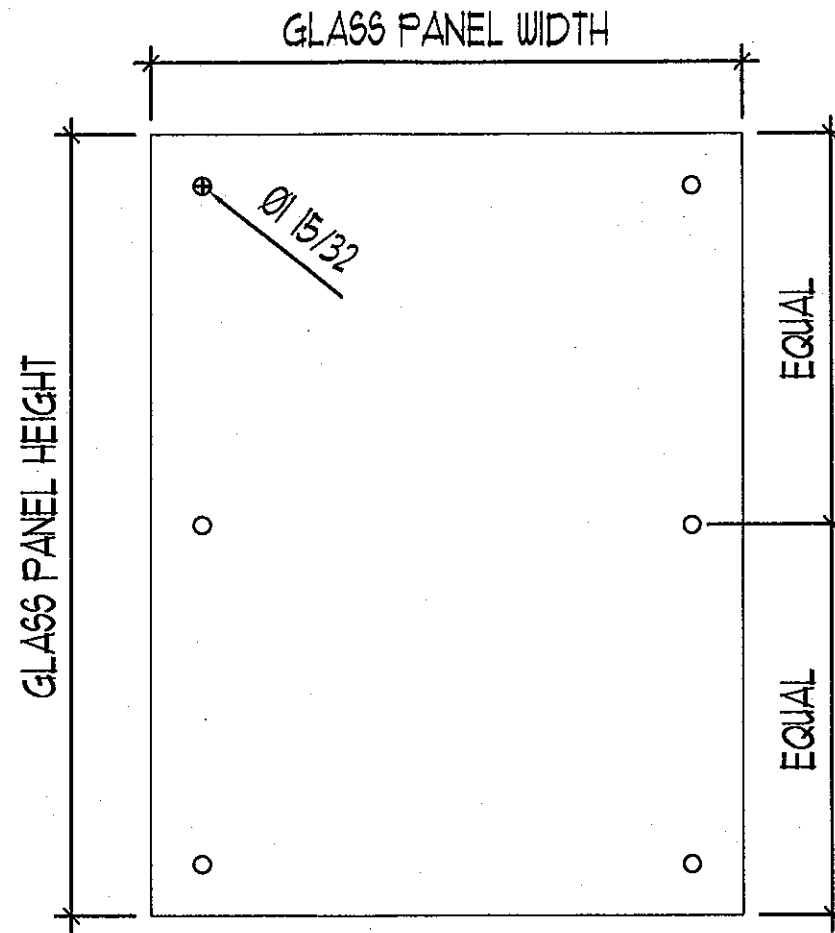
SHEET 4 OF 10

GLASS CONFIG.: FOUR (4) POINT SUPPORT



TYPICAL GLASS ELEVATION

GLASS CONFIG.: SIX (6) POINT SUPPORT



TYPICAL GLASS ELEVATION

SIX (6) POINT SUPPORT GLASS DESIGN LOAD CHART

| WIDTH-IN | HEIGHT-IN | DP (PSF) |
|----------|-----------|----------|
| 41-1/2" | 60" | 128.5 |
| 36" | 62" | 128.5 |
| 42" | 62" | 125.0 |

Approved as complying with the Florida Building Code
 Date 03/10/2011
 NOA# 10-1013.11
 Miami Dade Product Control

By *[Signature]*

MIAMI DADE COUNTY

YIPING WANG, P.E.
 FLORIDA REGISTRATION
 PE #55983
 C.A.N. 28677

[Signature]

FEB 04 2011

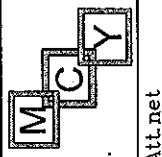
| | |
|---------|----------|
| DATE | 09-30-10 |
| SCALE | 3/4"=1' |
| DRAWN | ATA |
| PROJECT | 00-0000 |

DRAWING NO.
AD10-25

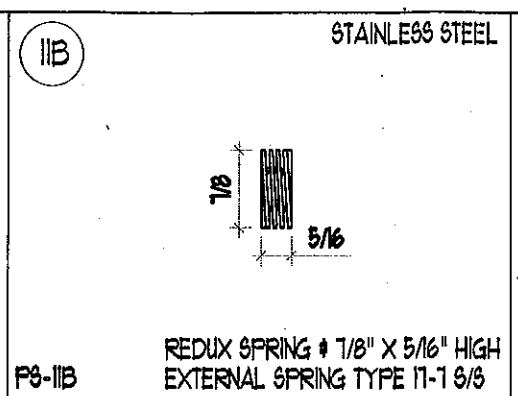
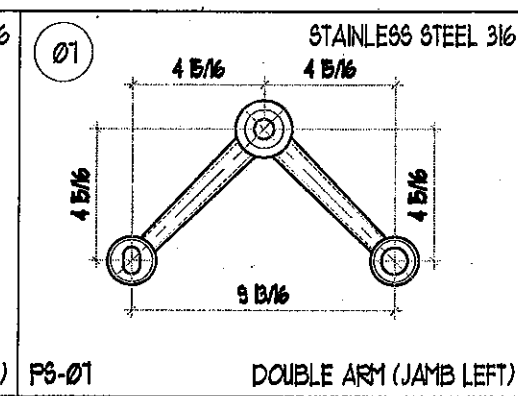
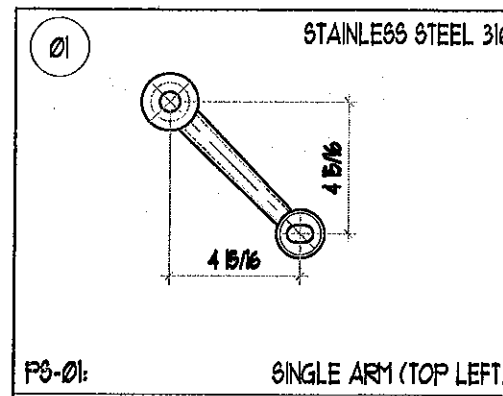
SHEET 5 OF 10

POINT SUPPORT GLASS SYSTEM (L.M.I.)
 NR ARCHITECTURAL PRODUCTS
 4348 WESTROADS DRIVE
 WEST PALM BEACH, FLORIDA 33407
 P: (561) 844-1121 F: (561) 844-6131

MCY ENGINEERING, INC.
 GLAZING CONSULTANTS
 9110 SW SUNSET DRIVE.
 MIAMI, FL. 33173
 P: 305.271.0117
 F: 786.573.5063
 www.MCYEngineering.com
 MCY.Engineering@Att.net



| NO. | DATE | DESCRIPTION |
|-----|------|-------------|
| | | |
| | | |
| | | |
| | | |



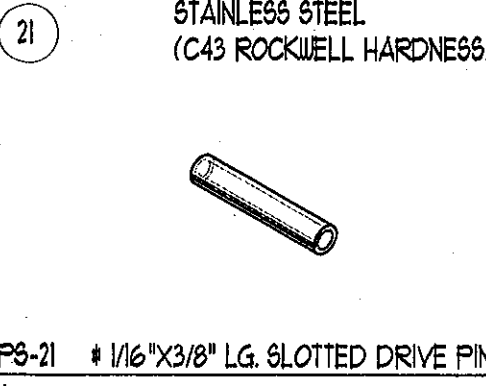
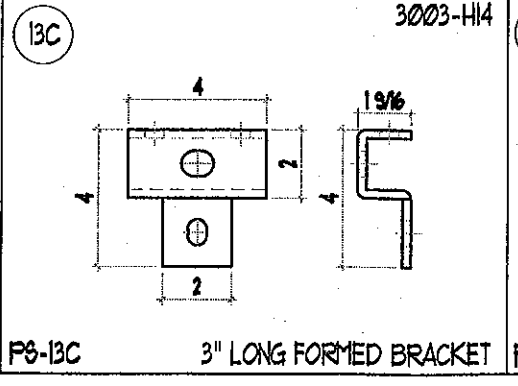
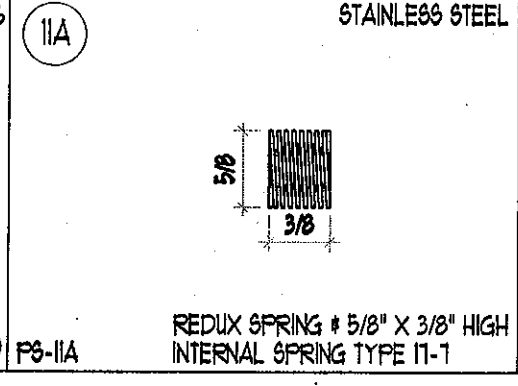
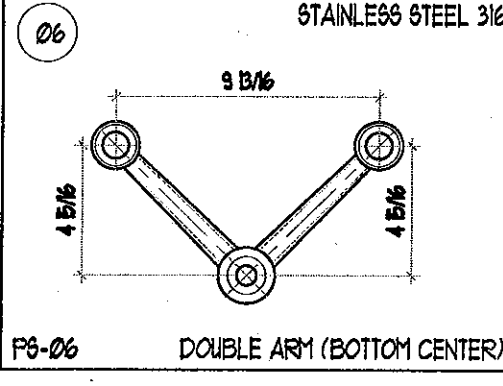
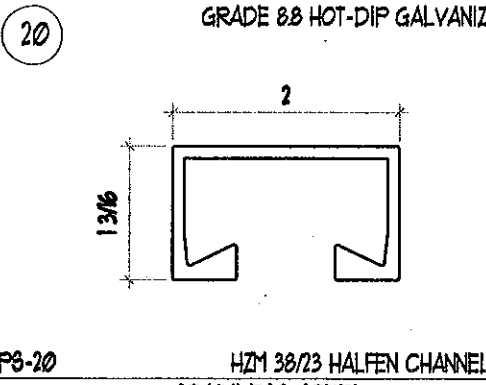
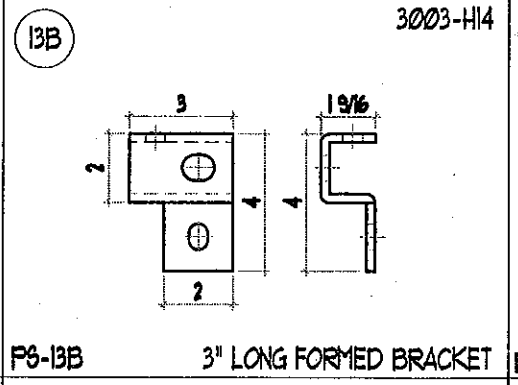
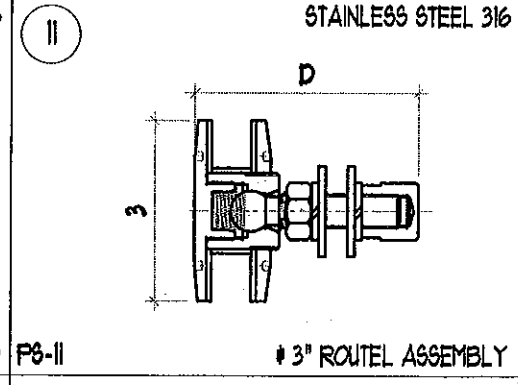
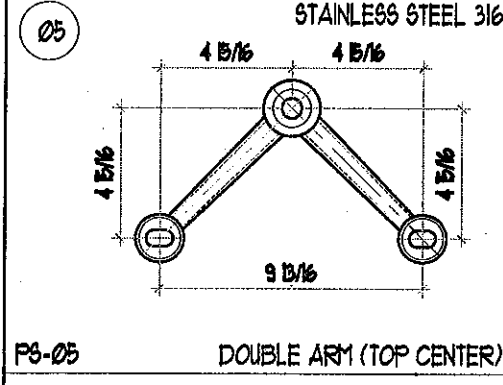
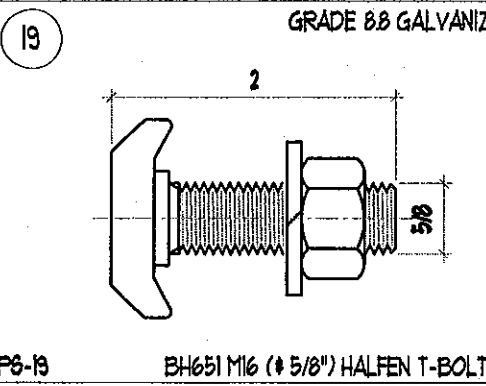
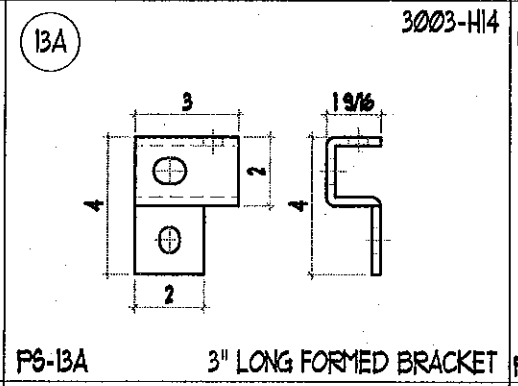
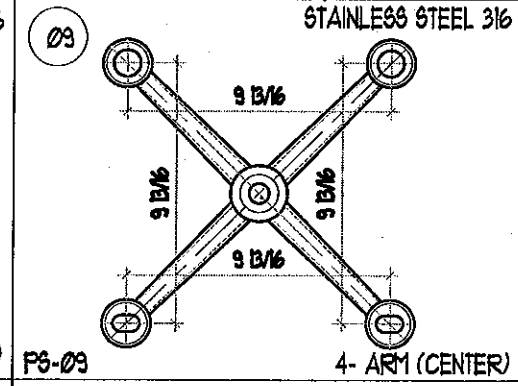
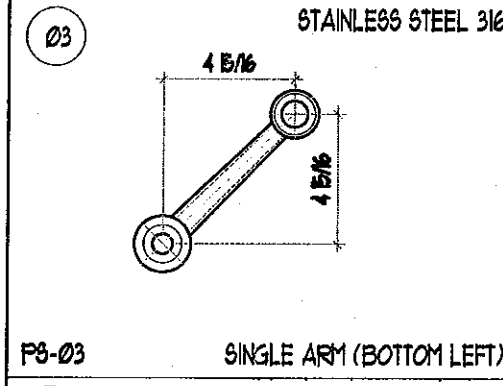
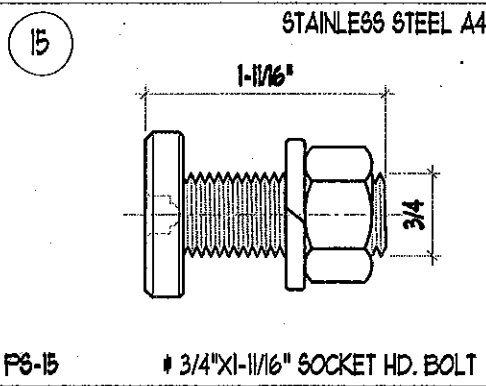
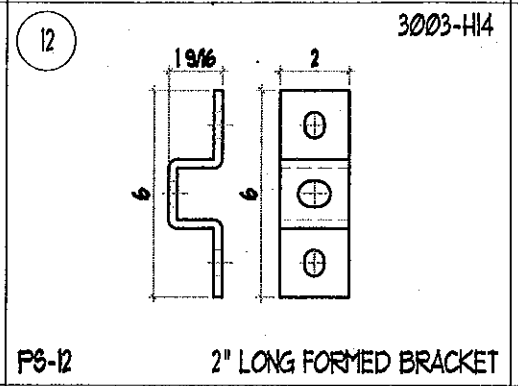
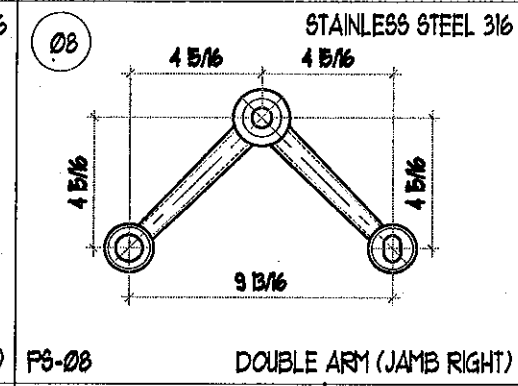
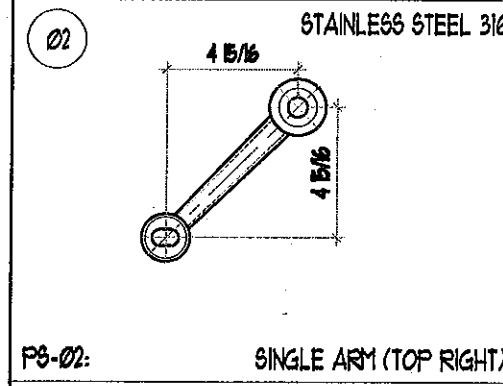
BILL OF MATERIALS:

| ITEM # | PART # | DESCRIPTION | MATERIAL |
|--------|--------|------------------------------------------------------------|-----------------------------------------|
| Ø1 | P8-01 | TOP LEFT 1-ARM SPIDER | STAINLESS STEEL 316 |
| Ø2 | P8-02 | TOP RIGHT 1-ARM SPIDER | STAINLESS STEEL 316 |
| Ø3 | P8-03 | BOTTOM LEFT 1-ARM SPIDER | STAINLESS STEEL 316 |
| Ø4 | P8-04 | BOTTOM RIGHT 1-ARM SPIDER | STAINLESS STEEL 316 |
| Ø5 | P8-05 | TOP CENTER 2-ARM SPIDER | STAINLESS STEEL 316 |
| Ø6 | P8-06 | BOTTOM CENTER 2-ARM SPIDER | STAINLESS STEEL 316 |
| Ø7 | P8-07 | LEFT JAMB 2-ARM SPIDER | STAINLESS STEEL 316 |
| Ø8 | P8-08 | RIGHT JAMB 2-ARM SPIDER | STAINLESS STEEL 316 |
| Ø9 | P8-09 | CENTER 4-ARM SPIDER | STAINLESS STEEL 316 |
| 11 | P8-11 | # 3" SPIDER ROUTEL | STAINLESS STEEL 316 |
| 11A | P8-11A | REDUX SPRING # 5/8" X 3/8" HIGH INTERNAL SPRING TYPE 11-1 | STAINLESS STEEL |
| 11B | P8-11B | REDUX SPRING # 1/8" X 5/16" HIGH EXTERNAL SPRING TYPE 11-1 | STAINLESS STEEL |
| 12 | P8-12 | 1/4" THK-2"X6" FORMED BRACKET | 3003-H14 ALUMINUM |
| 13A | P8-13A | 1/4" THK-3"X4" FORMED BRACKET | 3003-H14 ALUMINUM |
| 13B | P8-13B | 1/4" THK-3"X4" FORMED BRACKET | 3003-H14 ALUMINUM |
| 13C | P8-13C | 1/4" THK-3"X4" FORMED BRACKET | 3003-H14 ALUMINUM |
| 14 | P8-14 | 1/8" THK-ALU-LOCKING PLATE | 3003-H14 ALUMINUM |
| 15 | P8-15 | # 3/4"X1-1/16" SOCKET HD. BOLT | STAINLESS STEEL A4 |
| 19 | P8-19 | BH651 M16 (# 5/8") HALFEN T-BOLT | GRADE 88 GALVANIZE |
| 20 | P8-20 | H2M 38/23 HALFEN CHANNEL | STAINLESS STEEL (C43 ROCKWELL HARDNESS) |
| 21 | P8-21 | # 1/16"X3/8" LG. SLOTTED DRIVE PIN | MIAMI DADE COUNTY |

REVISIONS

| NO. | DATE | DESCRIPTION |
|-----|------|-------------|
| | | |

MCY ENGINEERING, INC.
GLAZING CONSULTANTS
9110 SW SUNSET DRIVE, P: 305.271.0117
MIAMI, FL 33173 F: 786.573.5083
www.MCYEngineering.com MCY.Engineering@Att.net



Approved as complying with the Florida Building Code
Date: 03/10/2011
NOA# 10-1013.11
Miami Dade Product Control
By: [Signature]

YIPING WANG, P.E.
FLORIDA REGISTRATION
PE #55983
C.A.N. 28677

FEB 04 2011

DATE: 09-30-10
SCALE: 3/4"=1'
DRAWN: ATA
PROJECT: 00-0000

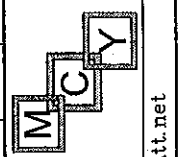
DRAWING NO. AD10-25
SHEET 6 OF 10

POINT SUPPORT GLASS SYSTEM (L.M.I.)
NR ARCHITECTURAL PRODUCTS
4348 WESTROADS DRIVE
WEST PALM BEACH, FLORIDA 33407
P: (561) 844-1121 F: (561) 844-6131

BILL OF MATERIALS:

| ITEM # | PART # | DESCRIPTION | MATERIAL |
|--------|--------|------------------------------------------------------|-----------------------------|
| 21 | P6-21 | # 1/2" X 3/8" LG. DRIVE PIN | 5/8 (C43 ROCKWELL HARDNESS) |
| 23 | P6-23 | # 3" SPIDER ROUTEL | STAINLESS STEEL 316 |
| 24 | P6-24 | ANCHOR BASE FITTING | STAINLESS STEEL 316 |
| 25 | P6-25 | ANCHOR BASE FITTING PLATE | STAINLESS STEEL 316 |
| 26 | P6-26 | ANCHOR BASE FITTING PLATE | STAINLESS STEEL 316 |
| 27 | P6-27 | # 1/2"-13X2" SQHMB FITTING BOLT | STAINLESS STEEL 316 |
| 28 | P6-28 | # 23/32" OD X # 1/2" ID X 2 1/32" LG. SPIDER BUSHING | STAINLESS STEEL 316 |
| 29 | P6-29 | JAMB CENTER 1-ARM SPIDER | STAINLESS STEEL 316 |
| 30 | P6-30 | CENTER 2-ARM SPIDER | STAINLESS STEEL 316 |

| REVISIONS | NO. | DATE | DESCRIPTION |
|-----------|-----|------|-------------|
| | | | |
| | | | |



MCY ENGINEERING, INC.
 GLAZING CONSULTANTS
 9110 SW SUNSET DRIVE, P: 305.271.0117
 MIAMI, FL 33173 F: 786.573.5063
 www.MCYEngineering.com MCY.Engineering@Att.net

POINT SUPPORT GLASS SYSTEM (L.M.I.)
 NR ARCHITECTURAL PRODUCTS
 4348 WESTROADS DRIVE
 WEST PALM BEACH, FLORIDA 33407
 P: (561) 844-1121 F: (561) 844-6131

Approved as complying with the Florida Building Code
 Date 03/10/2011
 NOA# 10-1013.11
 Miami Dade Product Control
 By *[Signature]*
 MIAMI DADE COUNTY

YIPING WANG, P.E.
 FLORIDA REGISTRATION
 PE #55983
 C.A.N. 28677
[Signature]
FEB 04 2011

| | |
|-------------|----------|
| DATE | 09-30-10 |
| SCALE | 3/4"=1' |
| DRAWN | ATA |
| PROJECT | 00-0000 |
| DRAWING NO. | AD10-25 |
| SHEET | 7 OF 10 |

23 STAINLESS STEEL 316

P6-23 # 3" ROUTEL ASSEMBLY

28 STAINLESS STEEL

P6-28 # 23/32" OD X # 1/2" ID X 2 1/32" LONG SPIDER BUSHING

24 STAINLESS STEEL 316

P6-24 ANCHOR BASE FITTING

29 STAINLESS STEEL 316

P6-29 SINGLE ARM (JAMB CENTER)

25 STAINLESS STEEL 316

P6-25 ANCHOR BASE FITTING PLATE

30 STAINLESS STEEL 316

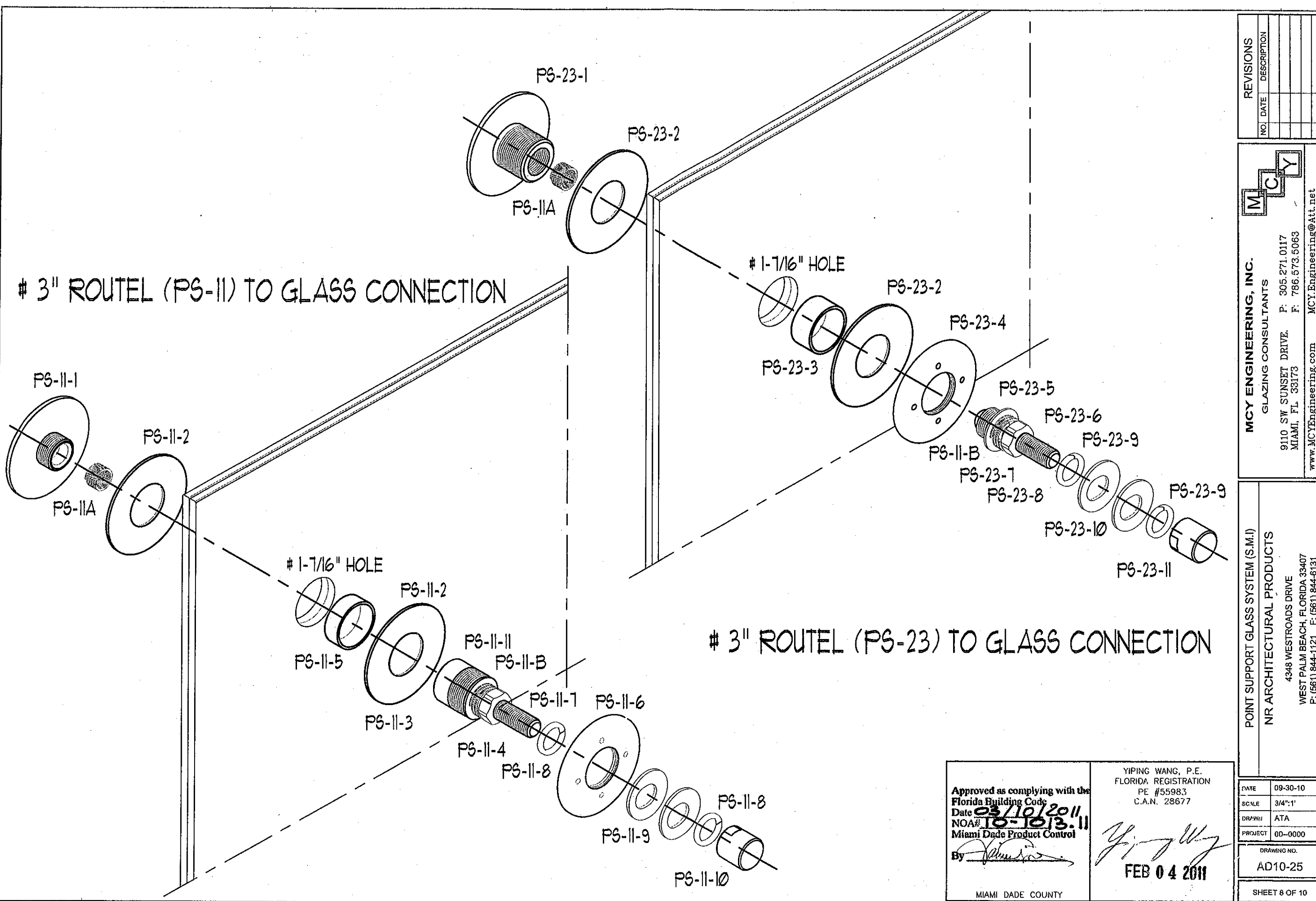
P6-30 DOUBLE ARM (CENTER)

26 STAINLESS STEEL 316

P6-26 ANCHOR BASE FITTING PLATE

27 STAINLESS STEEL 316

P6-27 # 1/2"-13X2" SQHMB BASE FITTING BOLT



3" ROUTEL (PS-II) TO GLASS CONNECTION

3" ROUTEL (PS-23) TO GLASS CONNECTION

Approved as complying with the
 Florida Building Code
 Date 03/10/2011
 NOA# 10-1013.11
 Miami Dade Product Control
 By [Signature]
 MIAMI DADE COUNTY

YIPING WANG, P.E.
 FLORIDA REGISTRATION
 PE #55983
 C.A.N. 28677
[Signature]
 FEB 04 2011

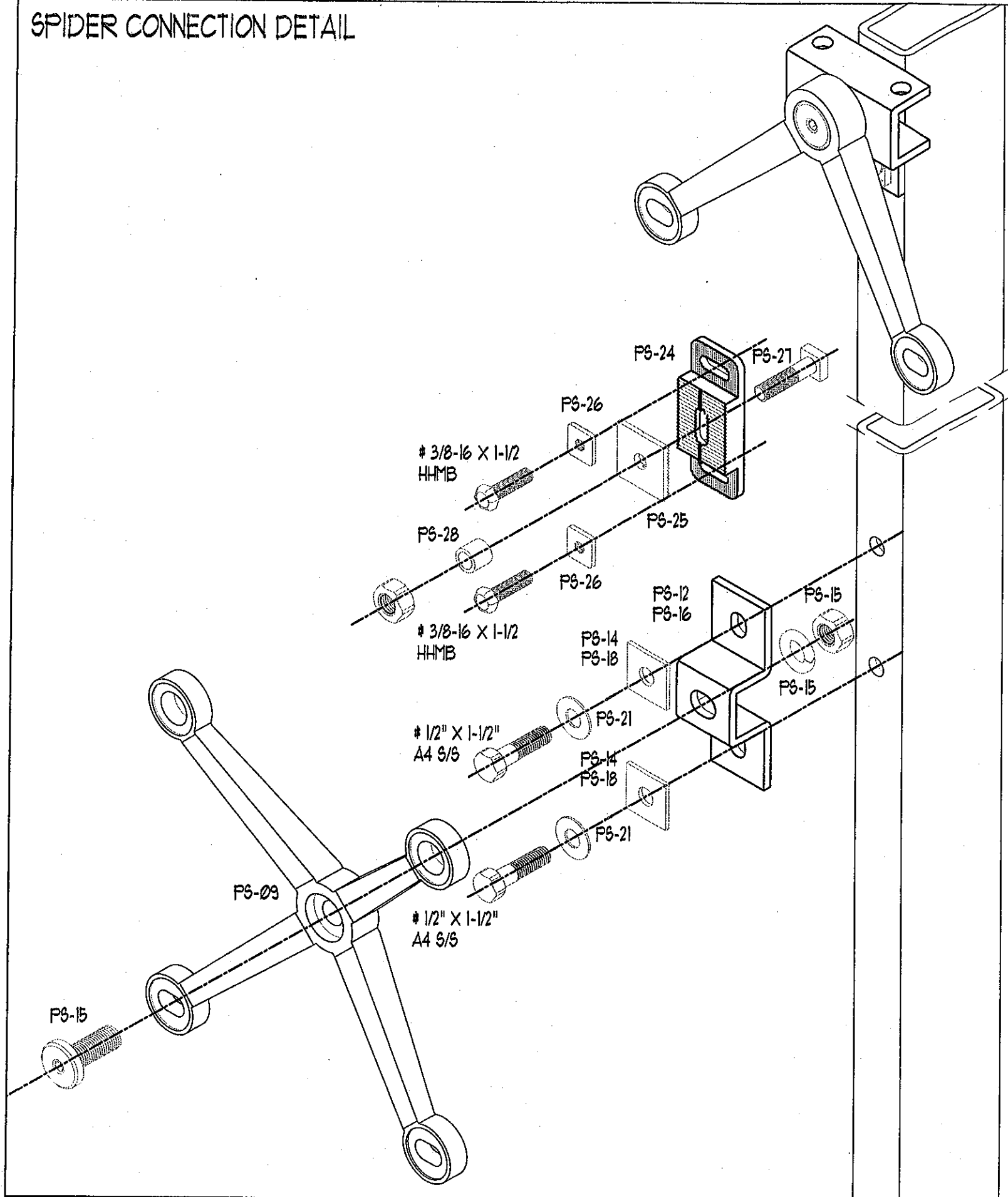
| REVISIONS | |
|-----------|-------------|
| NO. | DESCRIPTION |
| | |
| | |
| | |
| | |
| | |

| | |
|------------------------------|-------------------------|
| MCY | |
| MCY ENGINEERING, INC. | |
| GLAZING CONSULTANTS | |
| 9110 SW SUNSET DRIVE. | P: 305.271.0117 |
| MIAMI, FL 33173 | F: 786.673.5063 |
| www.MCYEngineering.com | MCY.Engineering@Att.net |

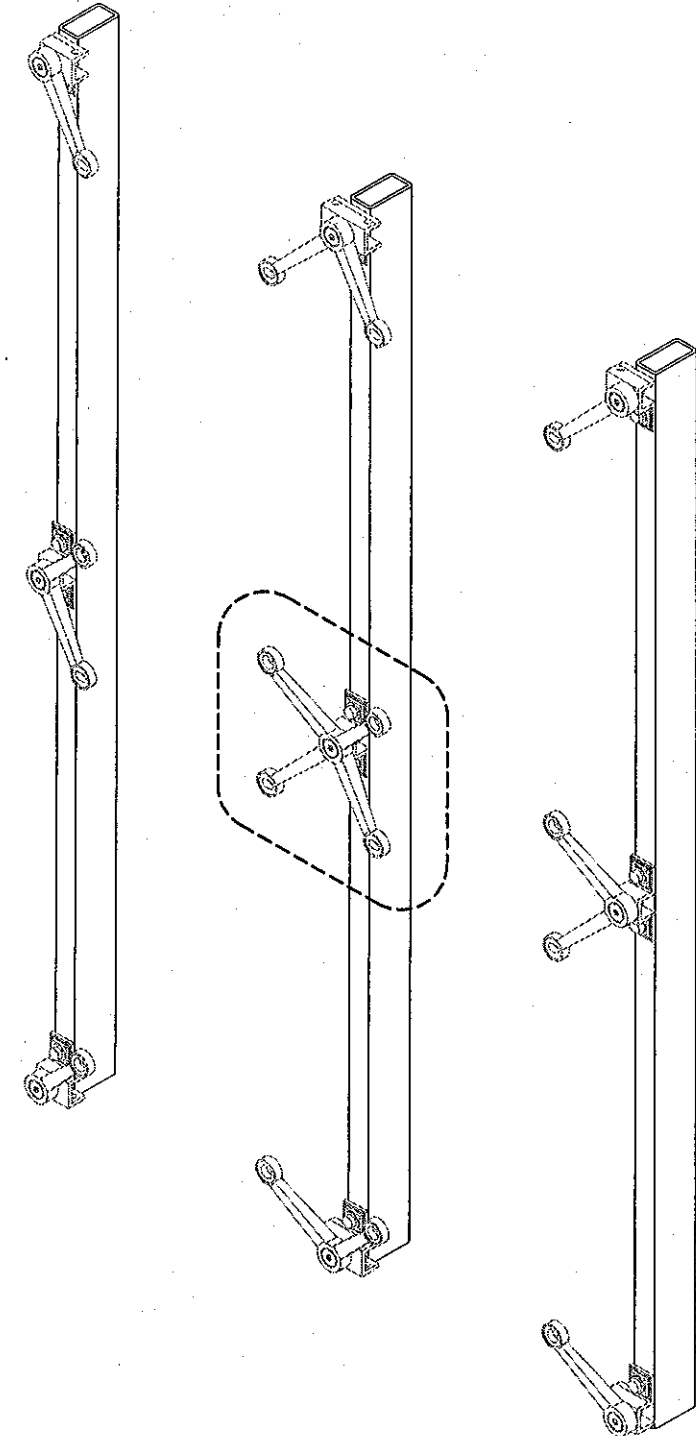
| |
|-------------------------------------|
| POINT SUPPORT GLASS SYSTEM (S.M.I.) |
| NR ARCHITECTURAL PRODUCTS |
| 4348 WESTROADS DRIVE |
| WEST PALM BEACH, FLORIDA 33407 |
| P: (561) 844-1121 F: (561) 844-6131 |

| | |
|-------------|----------|
| DATE | 09-30-10 |
| SCALE | 3/4"=1' |
| DRAWN | ATA |
| PROJECT | 00-0000 |
| DRAWING NO. | AD10-25 |
| SHEET | 8 OF 10 |

SPIDER CONNECTION DETAIL



SPIDER TO SUBSTRATE CONNECTION



Approved as complying with the Florida Building Code
 Date 03-10-2011
 NOA# 10-1013-11
 Miami Dade Product Control
 By *[Signature]*

YIPING WANG, P.E.
 FLORIDA REGISTRATION
 PE #55983
 C.A.N. 28677

[Signature]

FEB 04 2011

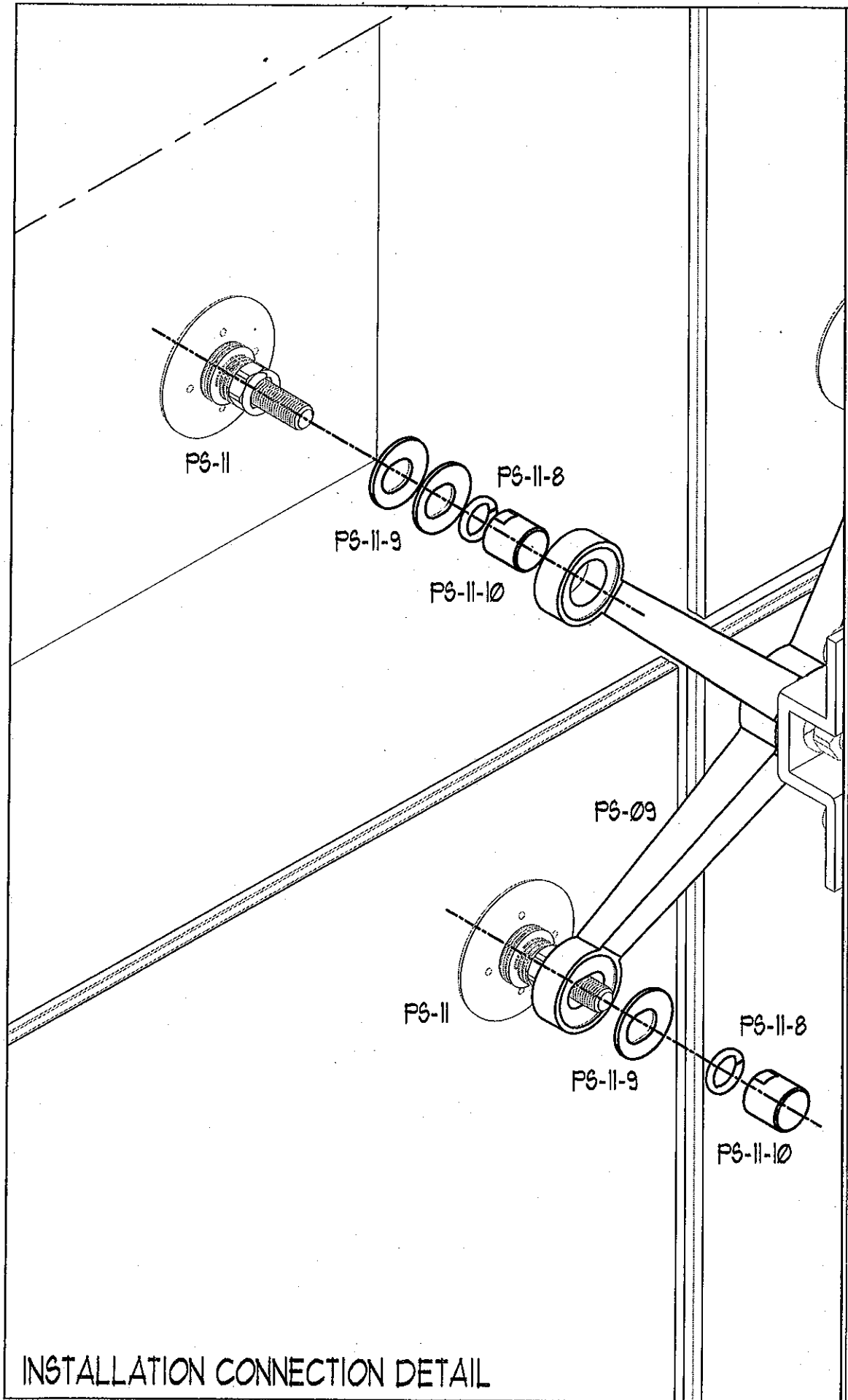
| REVISIONS | |
|-----------|-------------|
| NO. | DESCRIPTION |
| | |
| | |
| | |
| | |
| | |

| | |
|------------------------------|-------------------------|
| MCY | |
| MCY ENGINEERING, INC. | |
| GLAZING CONSULTANTS | |
| 9110 SW SUNSET DRIVE. | P: 305.271.0117 |
| MIAMI, FL 33173 | F: 786.573.5063 |
| www.MCYEngineering.com | MCY.Engineering@Att.net |

| |
|-------------------------------------|
| POINT SUPPORT GLASS SYSTEM (L.M.I.) |
| NR ARCHITECTURAL PRODUCTS |
| 4348 WESTROADS DRIVE |
| WEST PALM BEACH, FLORIDA 33407 |
| P: (561) 844-1121 F: (561) 844-6131 |

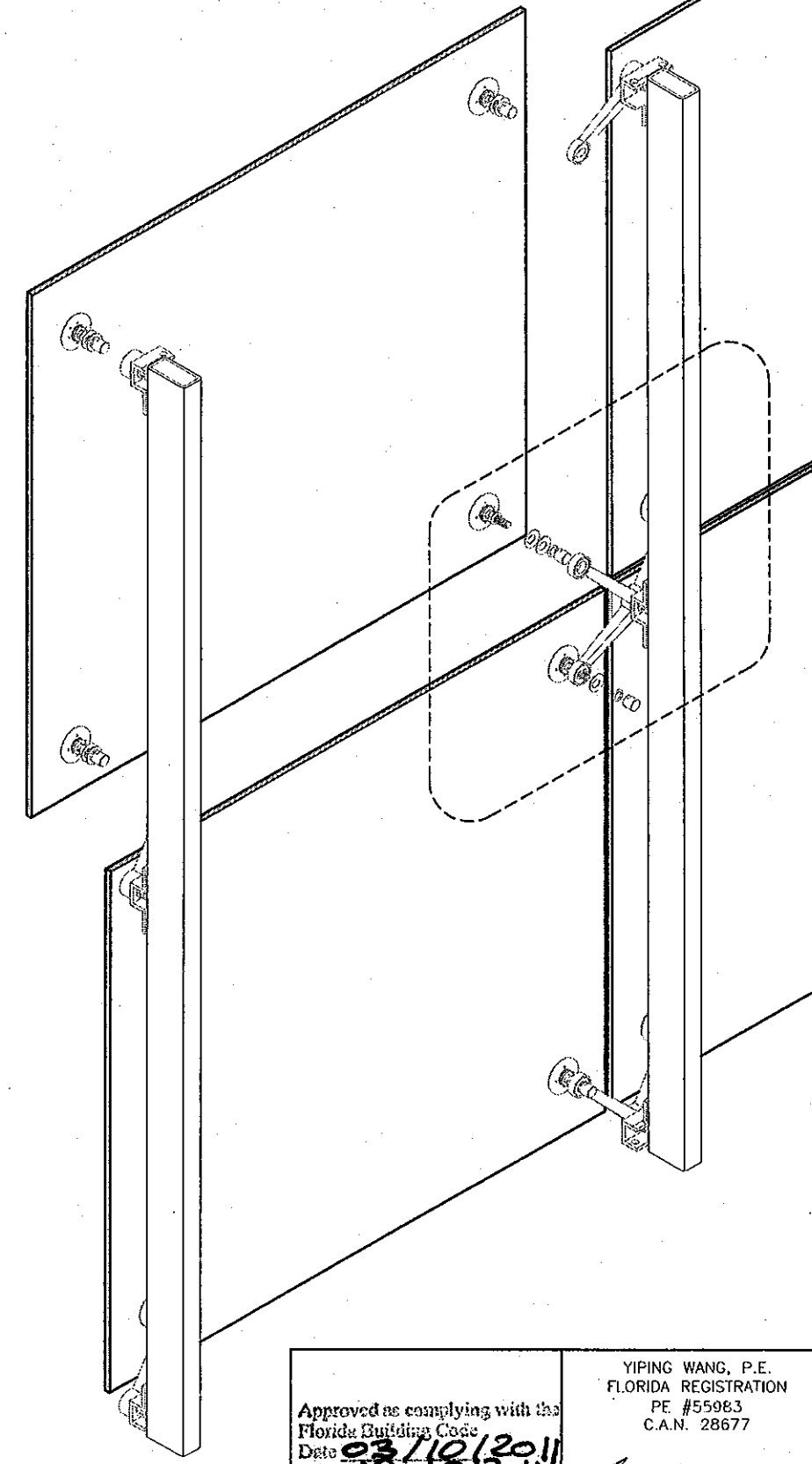
| | |
|---------|----------|
| DATE | 09-30-10 |
| SCALE | 3/4"=1' |
| DRAWN | ATA |
| PROJECT | 00-0000 |

| | |
|---------------|---------|
| DRAWING NO. | AD10-25 |
| SHEET 9 OF 10 | |



INSTALLATION CONNECTION DETAIL

GLASS INSTALLATION



| | |
|-----------------------------------------------------------------------------------------------------------------------------------------------------------------|------------------------------------------------------------------------|
| Approved as complying with the Florida Building Code Date 03/10/2011 NOA# 10-1013.11 Miami Dade Product Control By <i>[Signature]</i> | YIPING WANG, P.E. FLORIDA REGISTRATION PE #55983 C.A.N. 28677 |
| | FEB 04 2011 <i>[Signature]</i> |
| MIAMI DADE COUNTY | DATE 09-30-10 SCALE 3/4"=1' DRAWN ATA PROJECT 00-0000 |
| DRAWING NO. AD10-25 | SHEET 10 OF 10 |

| MCY MCY ENGINEERING, INC. GLAZING CONSULTANTS 9110 SW SUNSET DRIVE. P: 305.271.0117 MIAMI, FL 33173 F: 786.573.5063 www.MCYEngineering.com MCY.Engineering@Att.net | | | | | | | | | | | | | |
|---------------------------------------------------------------------------------------------------------------------------------------------------------------------------------------------------------------------------------------------------------------------------|------|-------------|------|-------------|--|--|--|--|--|--|--|--|--|
| POINT SUPPORT GLASS SYSTEM (L.M.I.) NR ARCHITECTURAL PRODUCTS 4348 WESTROADS DRIVE WEST PALM BEACH, FLORIDA 33407 P: (561) 844-1121 F: (561) 844-6131 | | | | | | | | | | | | | |
| REVISIONS <table border="1"> <thead> <tr> <th>NO.</th> <th>DATE</th> <th>DESCRIPTION</th> </tr> </thead> <tbody> <tr> <td> </td> <td> </td> <td> </td> </tr> <tr> <td> </td> <td> </td> <td> </td> </tr> <tr> <td> </td> <td> </td> <td> </td> </tr> </tbody> </table> | | NO. | DATE | DESCRIPTION | | | | | | | | | |
| NO. | DATE | DESCRIPTION | | | | | | | | | | | |
| | | | | | | | | | | | | | |
| | | | | | | | | | | | | | |
| | | | | | | | | | | | | | |