



**DEPARTMENT OF PERMITTING, ENVIRONMENT, AND REGULATORY AFFAIRS (PERA)  
BOARD AND CODE ADMINISTRATION DIVISION  
NOTICE OF ACCEPTANCE (NOA)**

**MIAMI-DADE COUNTY  
PRODUCT CONTROL SECTION**  
11805 SW 26 Street, Room 208  
Miami, Florida 33175-2474  
T (786) 315-2590 F (786) 315-2599  
[www.miamidade.gov/pera/](http://www.miamidade.gov/pera/)

**NR Architectural Products**  
4348 Westroads Drive  
West Palm Beach, FL 33407

**SCOPE:**

This NOA is being issued under the applicable rules and regulations governing the use of construction materials. The documentation submitted has been reviewed and accepted by Miami-Dade County PERA -Product Control Section to be used in Miami Dade County and other areas where allowed by the Authority Having Jurisdiction (AHJ).

This NOA shall not be valid after the expiration date stated below. The Miami-Dade County Product Control Section (In Miami Dade County) and/or the AHJ (in areas other than Miami Dade County) reserve the right to have this product or material tested for quality assurance purposes. If this product or material fails to perform in the accepted manner, the manufacturer will incur the expense of such testing and the AHJ may immediately revoke, modify, or suspend the use of such product or material within their jurisdiction. PERA reserves the right to revoke this acceptance, if it is determined by Miami-Dade County Product Control Section that this product or material fails to meet the requirements of the applicable building code.

This product is approved as described herein, and has been designed to comply with the Florida Building Code, including the High Velocity Hurricane Zone.

**DESCRIPTION: Series "6001" Aluminum Sliding Glass Doors – L.M.I.**

**APPROVAL DOCUMENT:** Drawing No. AD12-03, titled "Series 6001 Alum Sliding Glass Doors – LMI", sheets 1 through 7 of 7, dated MAR 08, 2012, prepared by MCY Engineering, Inc., signed and sealed by Yiping Wang, P. E., bearing the Miami-Dade County Product Control Revision stamp with the Notice of Acceptance number and expiration date by the Miami-Dade County Product Control Section.

**MISSILE IMPACT RATING: Large and Small Missile Impact Resistant**

**LABELING:** Each unit shall bear a permanent label with the manufacturer's name or logo, city, state and series and following statement: "Miami-Dade County Product Control Approved", noted herein.

**RENEWAL** of this NOA shall be considered after a renewal application has been filed and there has been no change in the applicable building code negatively affecting the performance of this product.

**TERMINATION** of this NOA will occur after the expiration date or if there has been a revision or change in the materials, use, and/or manufacture of the product or process. Misuse of this NOA as an endorsement of any product, for sales, advertising or any other purposes shall automatically terminate this NOA. Failure to comply with any section of this NOA shall be cause for termination and removal of NOA.

**ADVERTISEMENT:** The NOA number preceded by the words Miami-Dade County, Florida, and followed by the expiration date may be displayed in advertising literature. If any portion of the NOA is displayed, then it shall be done in its entirety.

**INSPECTION:** A copy of this entire NOA shall be provided to the user by the manufacturer or its distributors and shall be available for inspection at the job site at the request of the Building Official.

This NOA revises & renews NOA # 09-0407.05 and consists of this page 1 and evidence pages E-1, as well as approval document mentioned above.

The submitted documentation was reviewed by **Jaime D. Gascon, P.E.**



*J. Gascon*  
*8/3/12*

NOA No 12-0416.02  
Expiration Date: April 03, 2018  
Approval Date: August 09, 2012  
Page 1

**NOTICE OF ACCEPTANCE: EVIDENCE SUBMITTED**

**A. DRAWINGS**

1. Manufacturer's die drawings and sections (submitted under file # **09-0407.05**)
2. Drawing No. **AD12-03**, titled "Series 6001 Alum Sliding Glass Doors – LMI", sheets 1 through 7 of 7, dated MAR 08, 2012, prepared by MCY Engineering, Inc., signed and sealed by Yiping Wang, P.E.

**B. TESTS (submitted under file # 09-0407.05)**

1. Test reports on:
  - 1) Air Infiltration Test, per FBC, TAS 202-94
  - 2) Uniform Static Air Pressure Test, Loading per FBC TAS 202-94
  - 3) Water Resistance Test, per FBC, TAS 202-94
  - 4) Large Missile Impact Test per FBC, TAS 201-94
  - 5) Cyclic Wind Pressure Loading per FBC, TAS 203-94
  - 6) Forced Entry Test, per FBC 2411 3.2.1, TAS 202-94

Along with marked-up drawings and installation diagram of an alum sliding Glass door, prepared by Hurricane Testing Laboratory, LLC, Test Report No. **HTL 0242-0517-07**, dated 10/17/07, signed and sealed by Vinu J. Abraham, P. E.

**C. CALCULATIONS (submitted under file # 09-0407.05)**

1. Anchor verification calculations and structural analysis, complying with FBC-2007, prepared by Al-Farooq Corporation, dated 11/14/07 and revised on 03/18/09, signed and sealed by late Dr. Humayoun Farooq, P. E.
2. Glazing complies w/ ASTM E-1300-02 & -04

**D. QUALITY ASSURANCE**

1. Miami Dade Department of Permitting, Environment, and Regulatory Affairs (PERA).

**E. MATERIAL CERTIFICATIONS**

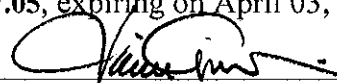
1. Notice of Acceptance No. **11-0624.02** issued to E.I. DuPont DeNemours & Co., Inc. for their "**DuPont Sentry Glass ® Interlayer**", expiring on 01/14/17.

**F. STATEMENTS**

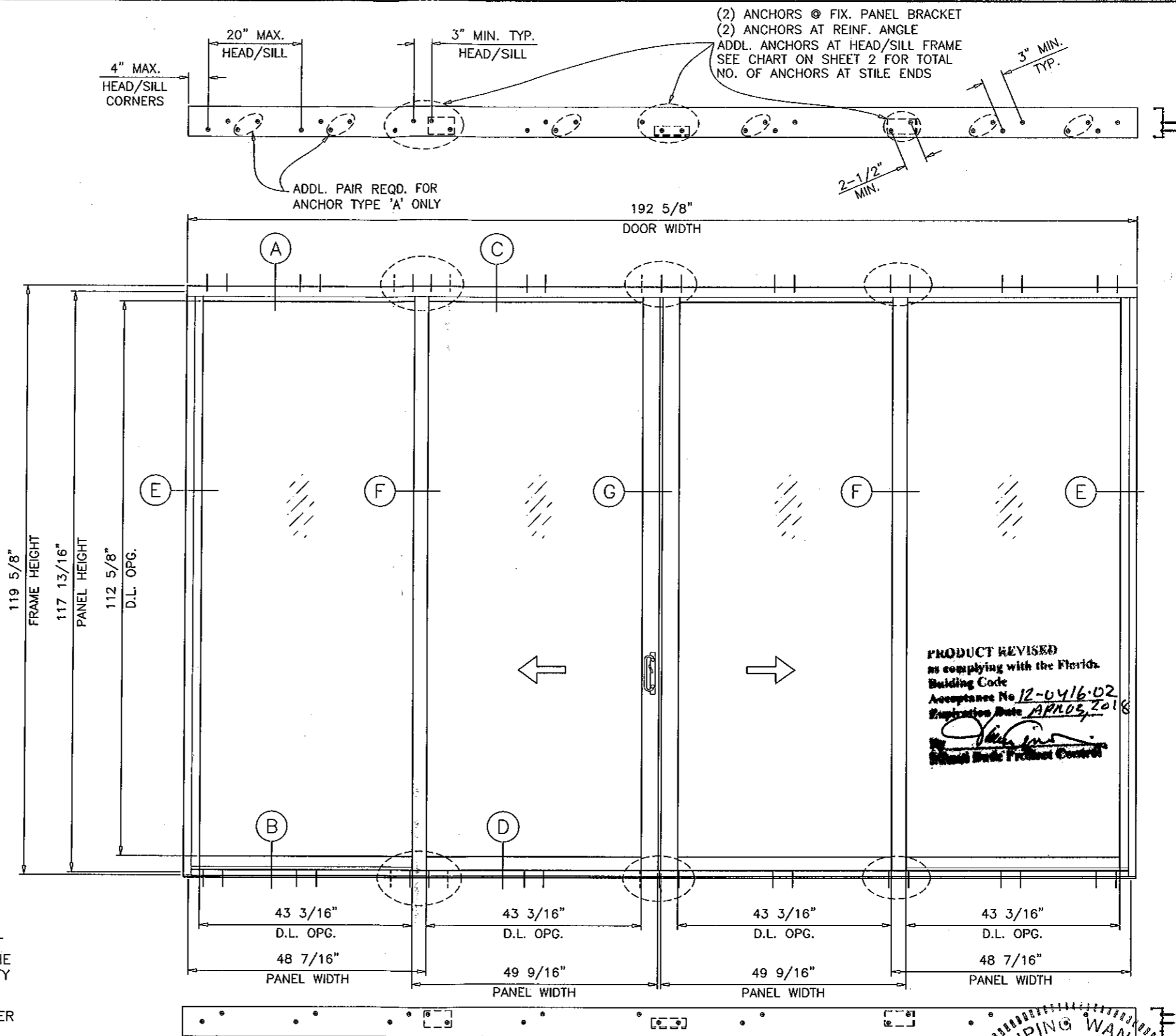
1. Statement letter of conformance to FBC 2010 and letter of no financial interest dated March 08, 2012, prepared prepared by MCY Engineering, Inc., signed and sealed by Yiping Wang, P.E.
2. Statement letter dated March 01, 2012, of Succeeding Engineer adopting another Engineer's work as her own and responsibilities per Florida Administrative Code, section 61G15-27.001, signed and sealed by Yiping Wang, P.E.
3. Statement letter of conformance to FBC 2007 and letter of no financial interest, prepared by Al Farooq Corporation, dated 02/14/09, signed and sealed by late Dr. Humayoun Farooq, P.E. (submitted under file # **09-0407.05**)
4. Lab compliance as part of the above referenced test report.

**G. OTHER**

1. This NOA **revises & renews** NOA # **09-0407.05**, expiring on April 03, 2013.



Jaime D. Gascon, P.E.  
Product Control Section Supervisor  
NOA No 12-0416.02  
Expiration Date: April 03, 2018  
Approval Date: August 09, 2012



DOORS GLAZED WITH LAMINATED GLASS RATED FOR LARGE MISSILE IMPACT AND REQUIRE NO SHUTTERS.

**SERIES-6001 ALUMINUM SLIDING GLASS DOOR**

DESIGN LOAD RATING FOR DOORS TO BE AS PER CHART SHOWN ON SHEET 2.

THIS PRODUCT HAS BEEN DESIGNED AND TESTED TO COMPLY WITH THE REQUIREMENTS OF THE FLORIDA BUILDING CODE INCLUDING HIGH VELOCITY HURRICANE ZONE (HVHZ).

WOOD BUCKS BY OTHERS, MUST BE ANCHORED PROPERLY TO TRANSFER LOADS TO THE STRUCTURE.

ANCHORS SHALL BE AS LISTED, SPACED AS SHOWN ON DETAILS, ANCHORS EMBEDMENT TO BASE MATERIAL SHALL BE BEYOND WALL DRESSING OR STUCCO.

ANCHORING OR LOADING CONDITIONS NOT SHOWN IN THESE DETAILS ARE NOT PART OF THIS APPROVAL.

A LOAD DURATION INCREASE IN ALLOWABLE STRESS IS USED IN DESIGN OF ANCHORS INTO WOOD ONLY.

MATERIALS INCLUDING BUT NOT LIMITED TO STEEL/METAL SCREWS, THAT COME INTO CONTACT WITH OTHER DISSIMILAR MATERIALS SHALL MEET THE REQUIREMENTS OF FLORIDA BUILDING CODE 2003.8.4

TYPICAL ELEVATION  
TESTED UNIT

LAMINATED GLASS  
LARGE MISSILE IMPACT

UNANCHORED JAMBS COMPLY WITH DEFLECTION OF L/180 AND ALLOWABLE STRESS LIMITATION

MAR 08 2012  
 LIPING WANG, P.E.  
 FLORIDA REGISTRATION  
 No. PE 50883  
 C.A.N. 28677  
 STATE OF FLORIDA  
 PROFESSIONAL ENGINEER

NO.	DATE	DESCRIPTION

**MCY**  
**MCY ENGINEERING, INC.**  
 GLAZING CONSULTANTS  
 8501 SW 124 AVE. STE. 205A P: 305.271.0117  
 MIAMI, FL 33183 F: 786.573.5063  
 www.MCYEngineering.com MCY.Engineering@Att.net

NRAP SERIES 6001 SLIDING GLASS DOOR (L.M.I.)  
**NR ARCHITECTURAL PRODUCTS INC.**  
 4348 WESTROADS DRIVE  
 WEST PALM BEACH, FL 33407  
 P: (561) 844 - 1121 F: (561) 844 - 6131

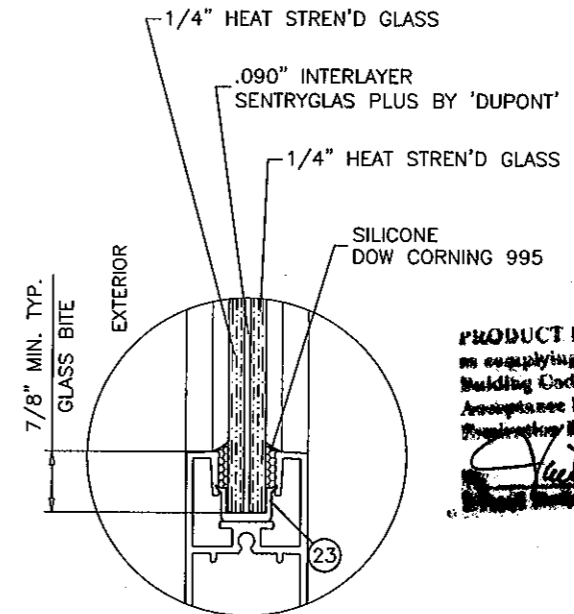
DATE	02-20-12
SCALE	AS NOTED
DRAWN	S.L.
PROJECT	12-026
DRAWING NO.	AD12-03
SHEET 1 of 7	

DESIGN LOAD CAPACITY - PSF														
PANEL WIDTH NOMINAL INCHES	DOOR HEIGHT INCHES	ANCHORS TYPE 'A'			ANCHORS TYPE 'B'			ANCHORS TYPE 'C'			ANCHORS TYPE 'D'			
		4 ANCHORS	5 ANCHORS	6 ANCHORS	2 ANCHORS	3 ANCHORS	4 ANCHORS	2 ANCHORS	3 ANCHORS	4 ANCHORS	3 ANCHORS	4 ANCHORS	5 ANCHORS	
		EXT. (+) INT. (-)	EXT. (+) INT. (-)	EXT. (+) INT. (-)	EXT. (+) INT. (-)	EXT. (+) INT. (-)	EXT. (+) INT. (-)	EXT. (+) INT. (-)	EXT. (+) INT. (-)	EXT. (+) INT. (-)	EXT. (+) INT. (-)	EXT. (+) INT. (-)	EXT. (+) INT. (-)	
36	80	100.0	100.0	100.0	100.0	100.0	100.0	100.0	100.0	100.0	100.0	100.0	100.0	
42		100.0	100.0	100.0	100.0	100.0	100.0	100.0	100.0	100.0	100.0	100.0	100.0	
48		97.3	100.0	100.0	100.0	100.0	100.0	100.0	100.0	100.0	100.0	100.0	100.0	
54		91.4	100.0	100.0	100.0	100.0	100.0	100.0	100.0	100.0	100.0	100.0	100.0	
60		87.2	100.0	100.0	100.0	100.0	100.0	100.0	100.0	100.0	100.0	100.0	100.0	
36	84	100.0	100.0	100.0	100.0	100.0	100.0	100.0	100.0	100.0	100.0	100.0	100.0	
42		98.8	100.0	100.0	100.0	100.0	100.0	100.0	100.0	100.0	100.0	100.0	100.0	
48		90.8	100.0	100.0	100.0	100.0	100.0	100.0	100.0	100.0	100.0	100.0	100.0	
54		85.0	100.0	100.0	99.8	100.0	100.0	100.0	100.0	100.0	100.0	100.0	100.0	
60		80.7	100.0	100.0	94.8	100.0	100.0	100.0	100.0	100.0	100.0	100.0	100.0	
36	90	100.0	100.0	100.0	100.0	100.0	100.0	100.0	100.0	100.0	100.0	100.0	100.0	
42		90.2	100.0	100.0	100.0	100.0	100.0	100.0	100.0	100.0	100.0	100.0	100.0	
48		82.5	100.0	100.0	97.0	100.0	100.0	100.0	100.0	100.0	100.0	100.0	100.0	
54		76.9	96.1	100.0	90.3	100.0	100.0	100.0	100.0	100.0	95.5	100.0	100.0	
60		72.6	90.8	100.0	85.4	100.0	100.0	100.0	100.0	100.0	90.2	100.0	100.0	
36	96	93.1	100.0	100.0	100.0	100.0	100.0	100.0	100.0	100.0	100.0	100.0	100.0	
42		83.0	100.0	100.0	97.6	100.0	100.0	100.0	100.0	100.0	100.0	100.0	100.0	
48		75.7	94.6	100.0	88.9	100.0	100.0	100.0	100.0	100.0	94.0	100.0	100.0	
54		70.2	87.7	100.0	82.5	100.0	100.0	100.0	100.0	100.0	87.2	100.0	100.0	
60		66.0	82.5	99.1	77.6	100.0	100.0	96.0	100.0	100.0	82.0	100.0	100.0	
36	102	86.5	100.0	100.0	100.0	100.0	100.0	100.0	100.0	100.0	100.0	100.0	100.0	
42		76.9	96.1	100.0	90.3	100.0	100.0	100.0	100.0	100.0	95.5	100.0	100.0	
48		69.8	87.3	100.0	82.1	100.0	100.0	100.0	100.0	100.0	86.8	100.0	100.0	
54		64.6	80.7	96.9	75.9	100.0	100.0	93.9	100.0	100.0	80.2	100.0	100.0	
36		108	80.7	100.0	100.0	94.8	100.0	100.0	100.0	100.0	100.0	100.0	100.0	100.0
42	71.6		89.5	100.0	84.1	100.0	100.0	100.0	100.0	100.0	88.9	100.0	100.0	
48	64.9		81.1	97.3	76.2	100.0	100.0	94.3	100.0	100.0	80.6	100.0	100.0	
36	114		75.7	94.6	100.0	88.9	100.0	100.0	100.0	100.0	100.0	94.0	100.0	100.0
42			66.9	83.7	100.0	78.7	100.0	100.0	97.3	100.0	100.0	83.2	100.0	100.0
48		60.5	75.7	90.8	71.1	100.0	100.0	88.0	100.0	100.0	75.2	100.0	100.0	
36		120	71.2	89.0	100.0	83.7	100.0	100.0	100.0	100.0	100.0	88.5	100.0	100.0
42			62.9	78.6	94.3	73.9	100.0	100.0	91.4	100.0	100.0	78.1	100.0	100.0
48	56.8		70.9	85.1	66.7	100.0	100.0	82.5	100.0	100.0	70.5	94.0	100.0	

NOTE:  
GLASS CAPACITIES ON THIS SHEET ARE  
BASED ON ASTM E1300-02/04 (3 SEC. GUSTS)  
AND FLORIDA BUILDING COMMISSION  
DECLARATORY STATEMENT DCA05-DEC-219

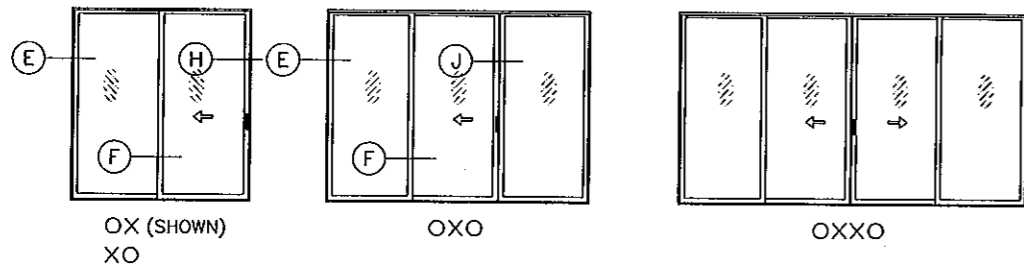
$$\text{PANEL WIDTH NOMINAL} = \frac{\text{DOOR WIDTH}}{\text{NUMBER OF PANELS}}$$

D.L. OPENING  
D.L.O. HEIGHT = PANEL HEIGHT - 5.1875"  
D.L.O. WIDTH FIX. PANEL = PANEL WIDTH - 5.250"  
D.L.O. WIDTH MOV. PANEL = PANEL WIDTH - 6.375"



PRODUCT REVISED  
in compliance with the Florida  
Building Code  
Amendment No 12-0416-02  
Effective Date 4/3/18

9/16" OVERALL LAMINATED GLASS  
**GLAZING DETAIL**



APPROVED CONFIGURATIONS

REVISIONS	DESCRIPTION
NO	DATE

**MCY ENGINEERING, INC.**  
GLAZING CONSULTANTS

8501 SW 124 AVE. STE. 205A  
MIAMI, FL 33183

F: 305.271.0117  
F: 786.573.5063

www.MCYEngineering.com  
www.MCYEngineering@Att.net

NRAP SERIES 6001 SLIDING GLASS DOOR (L.M.I.)  
NR ARCHITECTURAL PRODUCTS INC.

4348 WESTROADS DRIVE  
WEST PALM BEACH, FL 33407  
P: (561) 844-1121 F: (561) 844-6131

YIPING WANG, P.E.  
FLORIDA REGISTRATION  
PE #55983  
NO. A.S. 28677

STATE OF FLORIDA  
REGISTERED PROFESSIONAL ENGINEER

MAR 08 2012

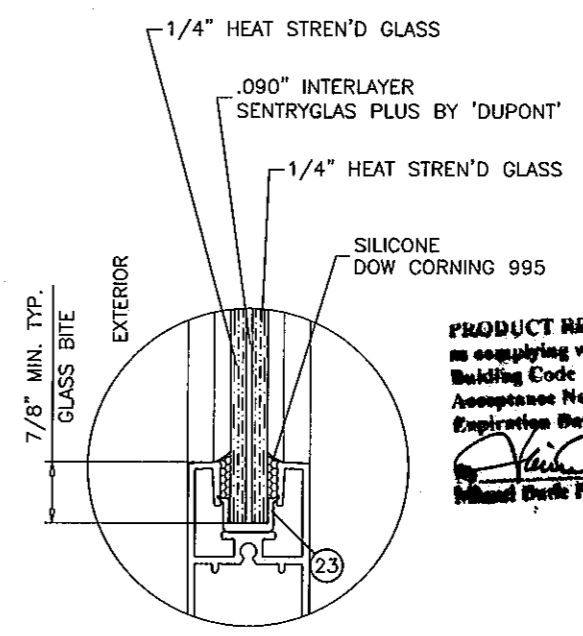
DATE	02-20-12
SCALE	AS NOTED
DRAWN	S.L.
PROJECT	12-026
DRAWING NO.	AD12-03
SHEET	2 of 7

DESIGN LOAD CAPACITY - PSF														
PANEL WIDTH NOMINAL INCHES	DOOR HEIGHT INCHES	ANCHORS TYPE 'A'			ANCHORS TYPE 'B'			ANCHORS TYPE 'C'			ANCHORS TYPE 'D'			
		4 ANCHORS	5 ANCHORS	6 ANCHORS	2 ANCHORS	3 ANCHORS	4 ANCHORS	2 ANCHORS	3 ANCHORS	4 ANCHORS	3 ANCHORS	4 ANCHORS	5 ANCHORS	
		EXT. (+) INT. (-)	EXT. (+) INT. (-)	EXT. (+) INT. (-)	EXT. (+) INT. (-)	EXT. (+) INT. (-)	EXT. (+) INT. (-)	EXT. (+) INT. (-)	EXT. (+) INT. (-)	EXT. (+) INT. (-)	EXT. (+) INT. (-)	EXT. (+) INT. (-)	EXT. (+) INT. (-)	
36	80	100.0	100.0	100.0	100.0	100.0	100.0	100.0	100.0	100.0	100.0	100.0	100.0	
42		100.0	100.0	100.0	100.0	100.0	100.0	100.0	100.0	100.0	100.0	100.0	100.0	
48		97.3	100.0	100.0	100.0	100.0	100.0	100.0	100.0	100.0	100.0	100.0	100.0	
54		91.4	100.0	100.0	100.0	100.0	100.0	100.0	100.0	100.0	100.0	100.0	100.0	
60		87.2	100.0	100.0	100.0	100.0	100.0	100.0	100.0	100.0	100.0	100.0	100.0	
36	84	100.0	100.0	100.0	100.0	100.0	100.0	100.0	100.0	100.0	100.0	100.0	100.0	
42		98.8	100.0	100.0	100.0	100.0	100.0	100.0	100.0	100.0	100.0	100.0	100.0	
48		90.8	100.0	100.0	100.0	100.0	100.0	100.0	100.0	100.0	100.0	100.0	100.0	
54		85.0	100.0	100.0	99.8	100.0	100.0	100.0	100.0	100.0	100.0	100.0	100.0	
60		80.7	100.0	100.0	94.8	100.0	100.0	100.0	100.0	100.0	100.0	100.0	100.0	
36	90	100.0	100.0	100.0	100.0	100.0	100.0	100.0	100.0	100.0	100.0	100.0	100.0	
42		90.2	100.0	100.0	100.0	100.0	100.0	100.0	100.0	100.0	100.0	100.0	100.0	
48		82.5	100.0	100.0	97.0	100.0	100.0	100.0	100.0	100.0	100.0	100.0	100.0	
54		76.9	96.1	100.0	90.3	100.0	100.0	100.0	100.0	100.0	95.5	100.0	100.0	
60		72.6	90.8	100.0	85.4	100.0	100.0	100.0	100.0	100.0	90.2	100.0	100.0	
36	96	93.1	100.0	100.0	100.0	100.0	100.0	100.0	100.0	100.0	100.0	100.0	100.0	
42		83.0	100.0	100.0	97.6	100.0	100.0	100.0	100.0	100.0	100.0	100.0	100.0	
48		75.7	94.6	100.0	88.9	100.0	100.0	100.0	100.0	100.0	94.0	100.0	100.0	
54		70.2	87.7	100.0	82.5	100.0	100.0	100.0	100.0	100.0	87.2	100.0	100.0	
60		66.0	82.5	99.1	77.6	100.0	100.0	96.0	100.0	100.0	82.0	100.0	100.0	
36	102	86.5	100.0	100.0	100.0	100.0	100.0	100.0	100.0	100.0	100.0	100.0	100.0	
42		76.9	96.1	100.0	90.3	100.0	100.0	100.0	100.0	100.0	95.5	100.0	100.0	
48		69.8	87.3	100.0	82.1	100.0	100.0	100.0	100.0	100.0	86.8	100.0	100.0	
54		64.6	80.7	96.9	75.9	100.0	100.0	93.9	100.0	100.0	80.2	100.0	100.0	
36		108	80.7	100.0	100.0	94.8	100.0	100.0	100.0	100.0	100.0	100.0	100.0	100.0
42	71.6		89.5	100.0	84.1	100.0	100.0	100.0	100.0	100.0	88.9	100.0	100.0	
48	64.9		81.1	97.3	76.2	100.0	100.0	94.3	100.0	100.0	80.6	100.0	100.0	
36	114		75.7	94.6	100.0	88.9	100.0	100.0	100.0	100.0	100.0	94.0	100.0	100.0
42			66.9	83.7	100.0	78.7	100.0	100.0	97.3	100.0	100.0	83.2	100.0	100.0
48		60.5	75.7	90.8	71.1	100.0	100.0	88.0	100.0	100.0	75.2	100.0	100.0	
36		120	71.2	89.0	100.0	83.7	100.0	100.0	100.0	100.0	100.0	88.5	100.0	100.0
42			62.9	78.6	94.3	73.9	100.0	100.0	91.4	100.0	100.0	78.1	100.0	100.0
48	56.8		70.9	85.1	66.7	100.0	100.0	82.5	100.0	100.0	70.5	94.0	100.0	

NOTE:  
GLASS CAPACITIES ON THIS SHEET ARE  
BASED ON ASTM E1300-02/04 (3 SEC. GUSTS)  
AND FLORIDA BUILDING COMMISSION  
DECLARATORY STATEMENT DCA05-DEC-219

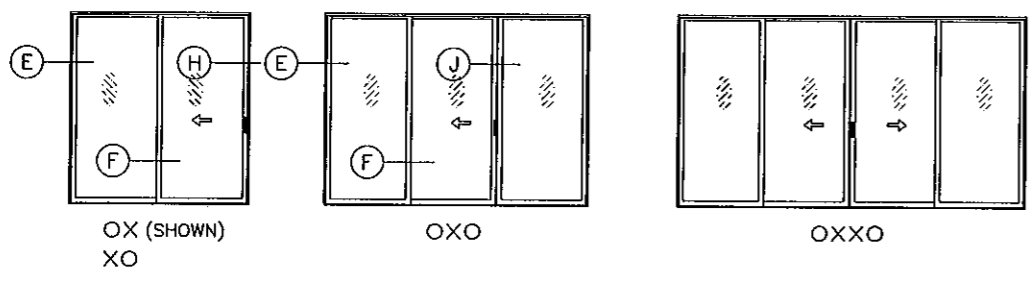
$$\text{PANEL WIDTH NOMINAL} = \frac{\text{DOOR WIDTH}}{\text{NUMBER OF PANELS}}$$

D.L. OPENING  
D.L.O. HEIGHT = PANEL HEIGHT - 5.1875"  
D.L.O. WIDTH FIX. PANEL = PANEL WIDTH - 5.250"  
D.L.O. WIDTH MOV. PANEL = PANEL WIDTH - 6.375"



PRODUCT REVISED  
to comply with the Florida  
Building Code  
Acceptance No. 12-0416-02  
Expiration Date 4/3/18

9/16" OVERALL LAMINATED GLASS  
**GLAZING DETAIL**



**APPROVED CONFIGURATIONS**

TWO TRACK FRAME DOOR CONFIGURATIONS OF MORE THAN FOUR PANELS USING STILE COMBINATIONS SHOWN IN THESE DETAILS MAY ALSO BE APPROVED.

NO.	DATE	DESCRIPTION

**MCY ENGINEERING, INC.**  
GLAZING CONSULTANTS

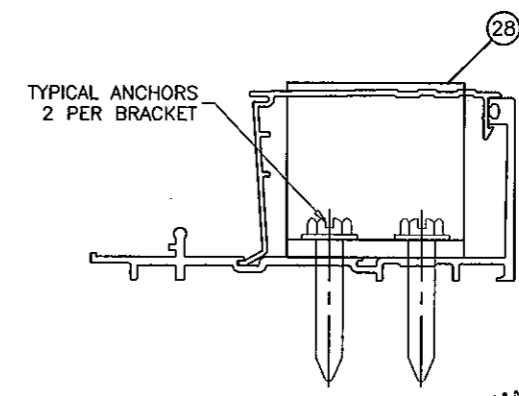
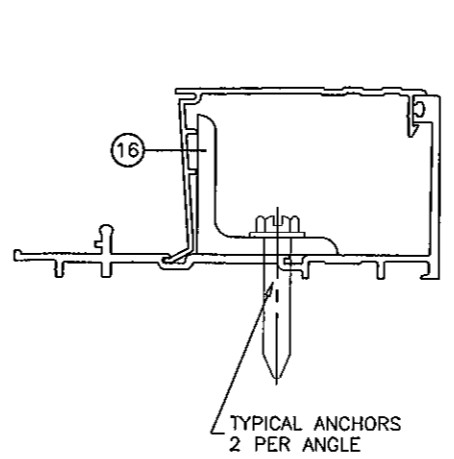
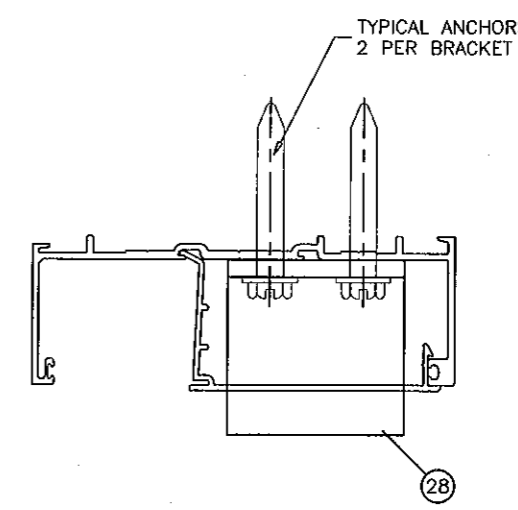
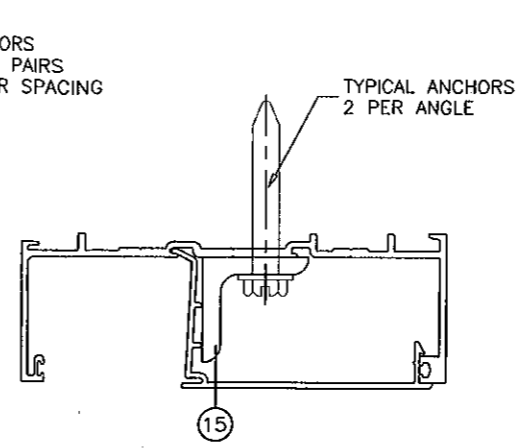
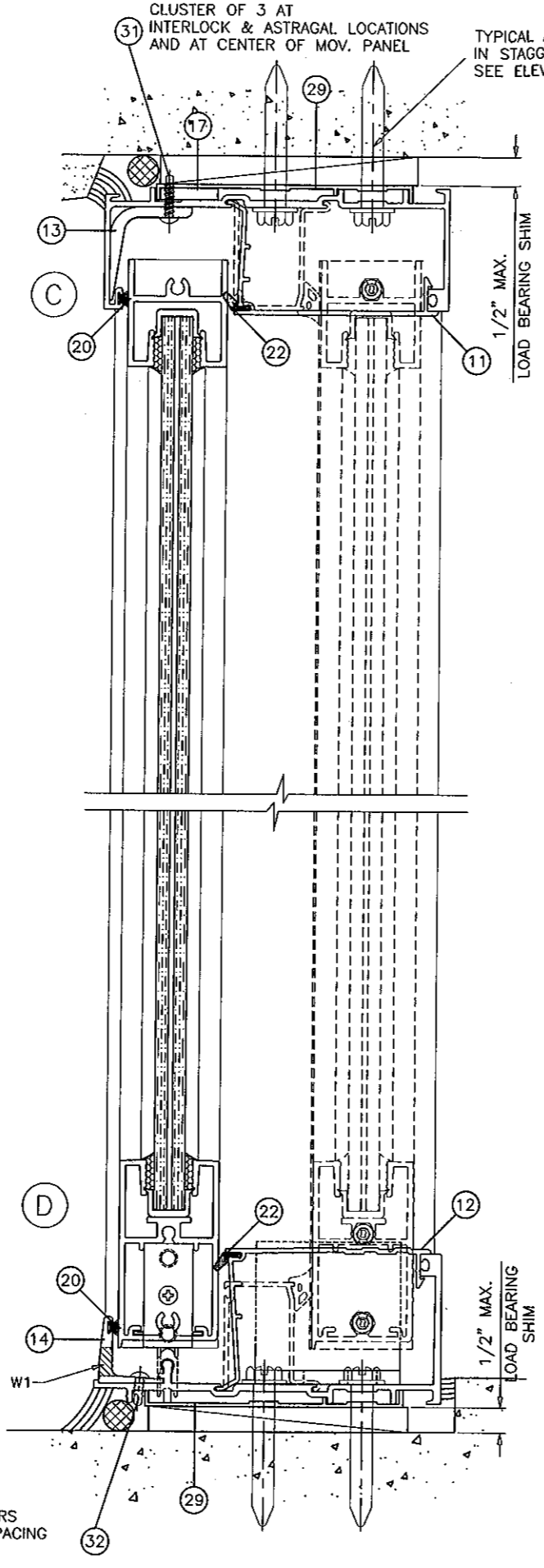
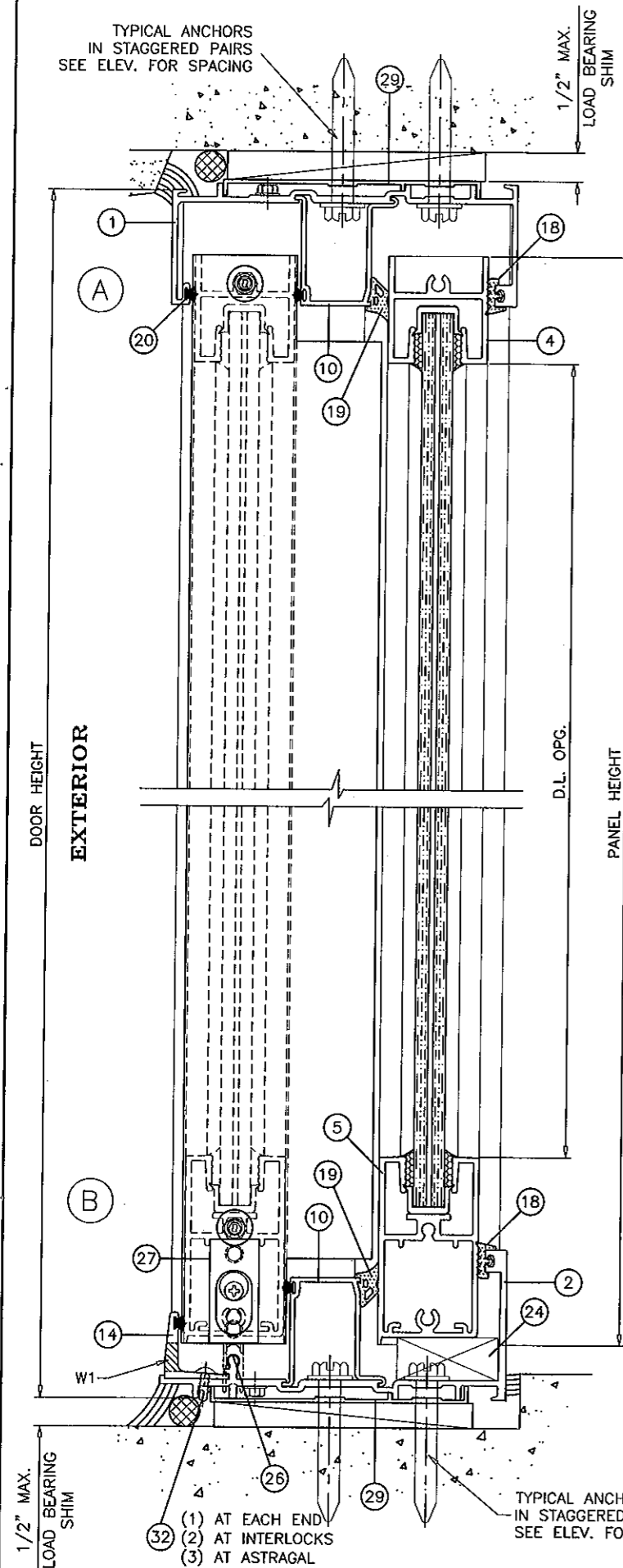
8501 SW 124 AVE. STE. 205A  
MIAMI, FL 33183  
P: 305.271.0117  
F: 786.573.5063  
www.MCYEngineering.com  
MCY.Engineering@Att.net

NRAP SERIES 6001 SLIDING GLASS DOOR (L.M.I.)

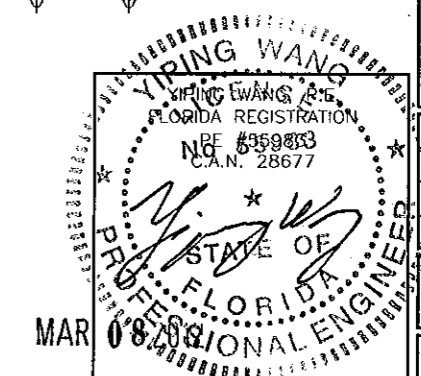
**NR ARCHITECTURAL PRODUCTS INC.**  
4348 WESTROADS DRIVE  
WEST PALM BEACH, FL 33407  
P: (561) 844-1121 F: (561) 844-6131

Professional Engineer Seal for **YIPING WANG**, State of Florida, Registration No. #55983, C.A.N. 28679. The seal is dated **MAR 28 2012**.

DATE	02-20-12
SCALE	AS NOTED
DRAWN	S.L.
PROJECT	12-028
DRAWING NO.	AD12-03
SHEET	2 of 7



**PRODUCT REVISED**  
 in complying with the Florida  
 Building Code  
 Acceptance No. 12-0416-02  
 Expiration Date 4/3/18  
 [Signature]  
 Robert Durr, Project Engineer



NO.	DATE	DESCRIPTION

**MCY**

**MCY ENGINEERING, INC.**  
 GLAZING CONSULTANTS

8501 SW 124 AVE. STE. 205A  
 MIAMI, FL 33183

P: 305.271.0117  
 F: 786.573.5063

www.MCYEngineering.com  
 MCY.Engineering@Att.net

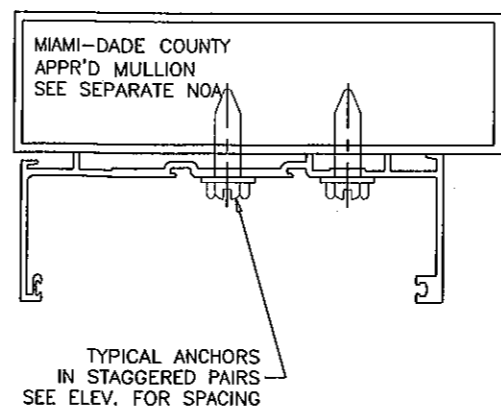
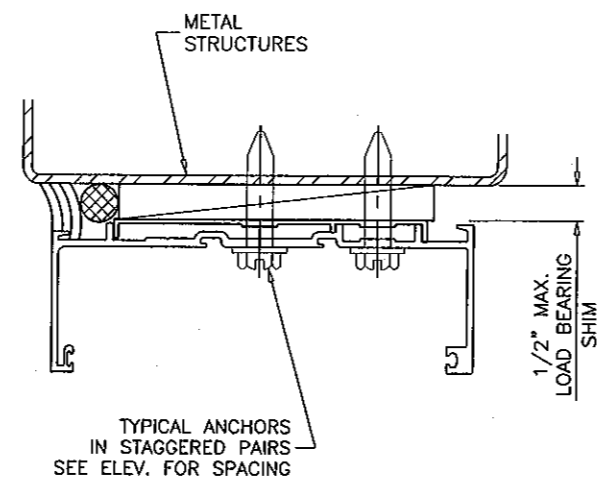
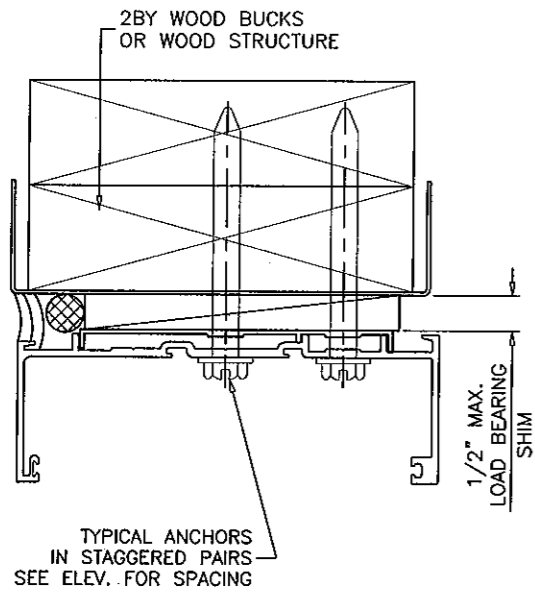
NRAP SERIES 6001 SLIDING GLASS DOOR (L.M.I.)

**NR ARCHITECTURAL PRODUCTS INC.**

4348 WESTROADS DRIVE  
 WEST PALM BEACH, FL 33407

P: (561) 844 - 1121 F: (561) 844 - 6131

DATE	02-20-12
SCALE	AS NOTED
DRAWN	S.L.
PROJECT	12-028
DRAWING NO.	AD12-03
SHEET 3 of 7	



WOOD BUCKS AND METAL STRUCTURES NOT BY N.R. WDW. MUST SUPPORT LOADS IMPOSED BY GLAZING SYSTEM AND TRANSFER THEM TO THE BUILDING STRUCTURE.

**TYPICAL ANCHORS:** SEE ELEV. FOR SPACING

- TYPE 'A'- 3/8" DIA. LAG SCREWS (Fy = 45 KSI)  
 INTO WOOD STRUCTURES  
 WITH 2-1/4" MIN. PENETRATION INTO WOOD
- TYPE 'B'- 3/8" DIA. POWERS WEDGE-BOLT ANCHOR  
 DIRECTLY INTO CONCRETE (fc' = 3000 PSI MIN.)  
 WITH 1-1/2" MIN. EMBED INTO CONC.
- TYPE 'C'- 3/8" DIA. SCREWS GRADE 5  
 INTO METAL STRUCTURES  
 STEEL : 1/4" THK. MIN. (Fy = 36 KSI MIN.)  
 ALUMINUM : 1/4" THK. MIN. (6063-T5 MIN.)  
 (STEEL IN CONTACT WITH ALUMINUM TO BE PLATED OR PAINTED)
- TYPE 'D'- 5/16" DIA. TAPCON BY 'ITW' (Fu = 120 KSI, Fy = 92 KSI)  
 INTO WOOD STRUCTURES  
 WITH 2-1/4" MIN. PENETRATION INTO WOOD  
**ANCHOR EDGE DISTANCES**  
 INTO CONCRETE AND MASONRY = 3" MIN.  
 INTO WOOD STRUCTURE = 1-1/2" MIN.  
 INTO METAL STRUCTURE = 1" MIN.

**SEALANTS:**

ALL FRAME CORNERS AND JOINTS SEALED WITH DOW-795 OR TREMCO SPECTREM 2 SILICONE SEALANT.

**WEEPHOLES:**

- W1 = 1-1/2" X 1/2" WEEP SLOTS
  - (1) AT CENTER OF EACH PANEL
  - (1) AT EACH SIDE OF INTERLOCK
  - (1) AT ASTRAGAL STILE

**PRODUCT REVIEWED**  
 in compliance with the Florida Building Code  
 Amendment No. 12-0416-02  
 Expiration Date 4/3/18  
*[Signature]*  
 State Seal: Professional Engineer

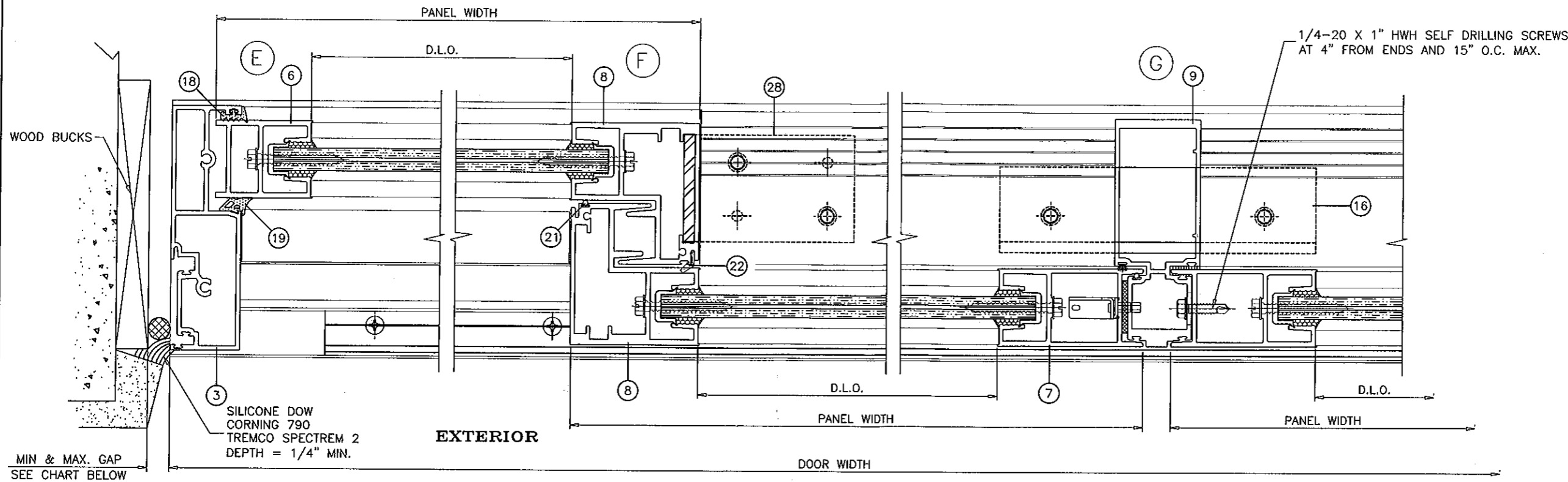
**YIPING WANG**  
 YIPING WANG, P.E.  
 FLORIDA REGISTRATION  
 No. #55983  
 C.A.N. 28677  
 PROFESSIONAL ENGINEER  
 STATE OF FLORIDA  
 MAR 08 2014

NO.	DATE	REVISIONS DESCRIPTION

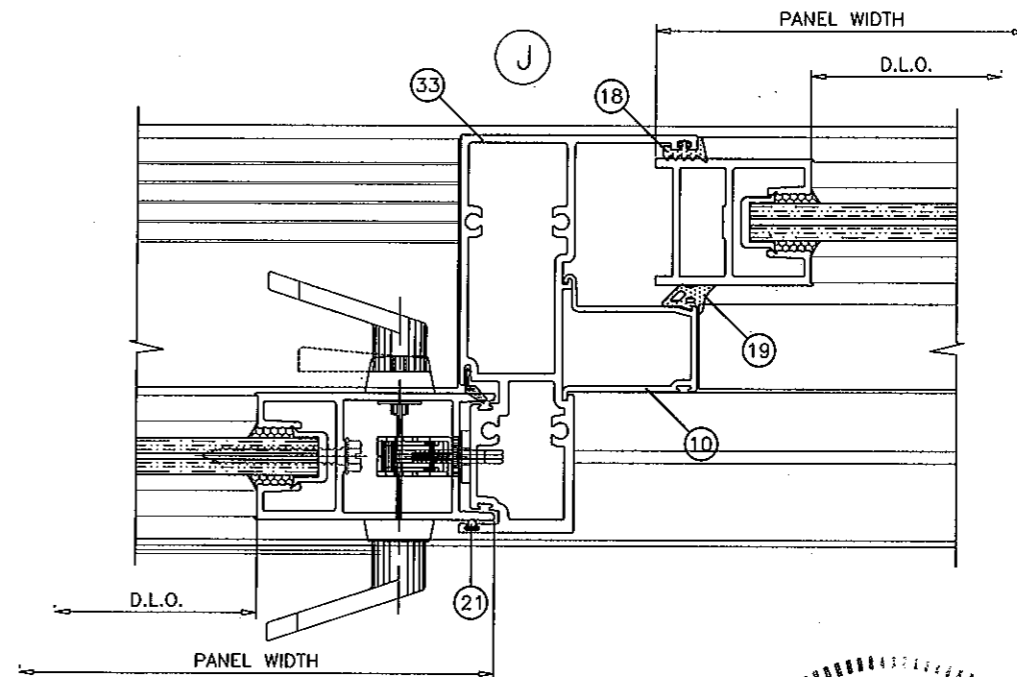
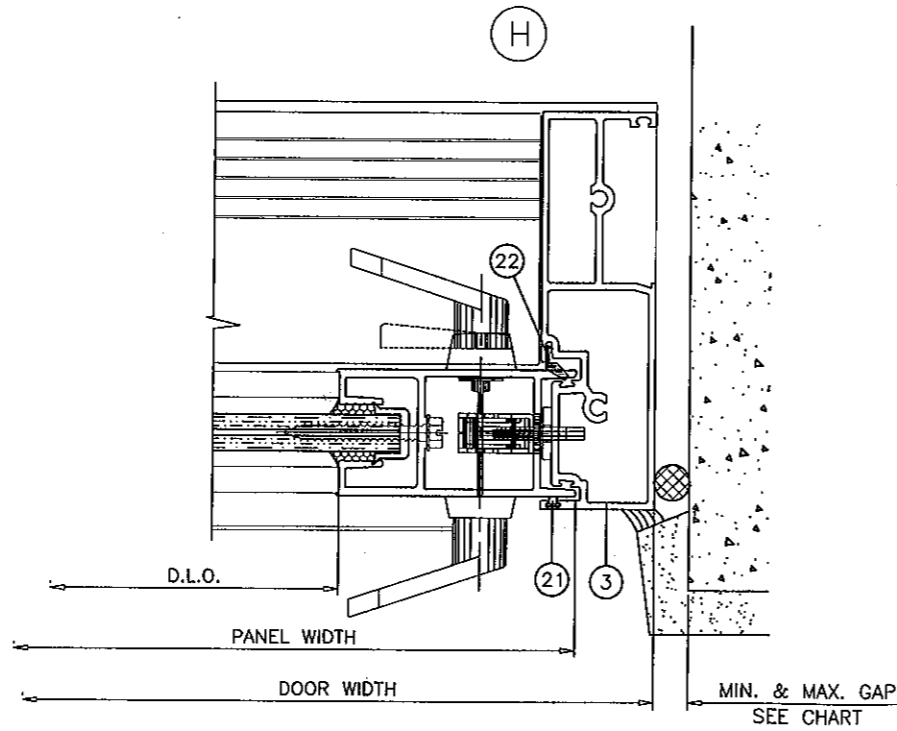
**MCY ENGINEERING, INC.**  
 GLAZING CONSULTANTS  
 8501 SW 124 AVE. STE. 205A  
 MIAMI, FL 33183  
 P: 305.271.0117  
 F: 786.573.5063  
 www.MCYEngineering.com  
 MCY.Engineering@Att.net

NRAP SERIES 6001 SLIDING GLASS DOOR (L.M.I.)  
 NR ARCHITECTURAL PRODUCTS INC.  
 4348 WESTROADS DRIVE  
 WEST PALM BEACH, FL 33407  
 P: (561) 844 - 1121 F: (561) 844 - 6131

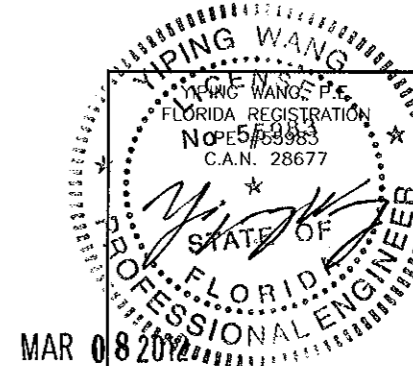
DATE	02-20-12
SCALE	AS NOTED
DRAWN	S.L.
PROJECT	12-028
DRAWING NO.	AD12--03
SHEET	4 of 7



MAX. FRAME HEIGHT	GAP	
	MIN.	MAX.
114"	3/8"	1/2"
119 5/8"	1/2"	3/4"



**PRODUCT REVISED**  
 as complying with the Florida  
 Building Code  
 Acceptance No. 12-0416.02  
 Expiration Date 4/3/18  
 By *[Signature]*  
 Miami Dade Product Control



NO.	DATE	DESCRIPTION

**MCY**  
**MCY ENGINEERING, INC.**  
 GLAZING CONSULTANTS  
 8501 SW 124 AVE. STE. 205A P: 305.271.0117  
 MIAMI, FL 33183 F: 786.573.5063  
 www.MCYEngineering.com MCY.Engineering@Att.net

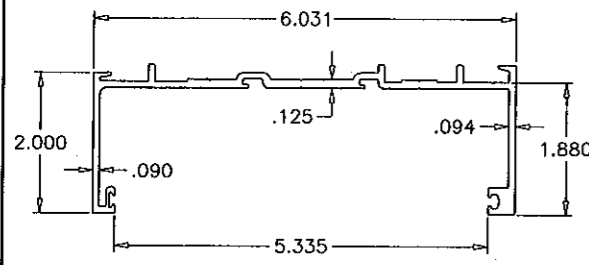
NRAP SERIES 6001 SLIDING GLASS DOOR (L.M.I.)  
**NR ARCHITECTURAL PRODUCTS INC.**  
 4348 WESTROADS DRIVE  
 WEST PALM BEACH, FL 33407  
 P: (561) 844-1121 F: (561) 844-6131

DATE	02-20-12
SCALE	AS NOTED
DRAWN	S.I.
PROJECT	12-028

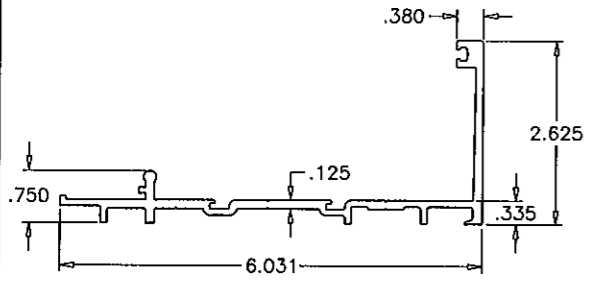
DRAWING NO. AD12-03

SHEET 5 of 7

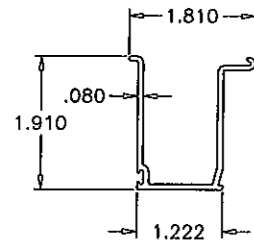




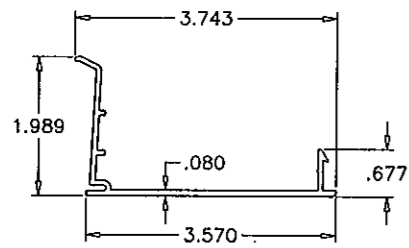
① FRAME HEAD



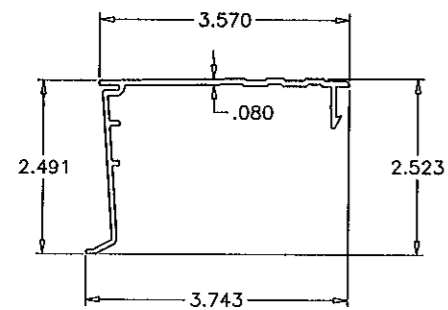
② FRAME SILL



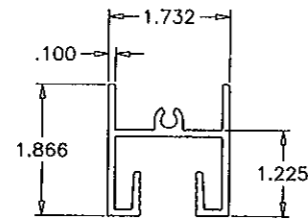
⑩ FIX. PANEL STOP



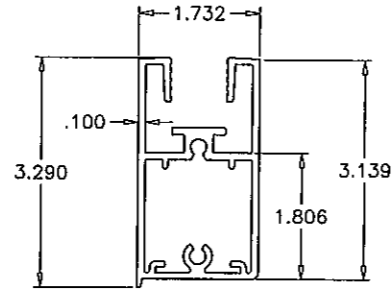
⑪ HEAD TRIM



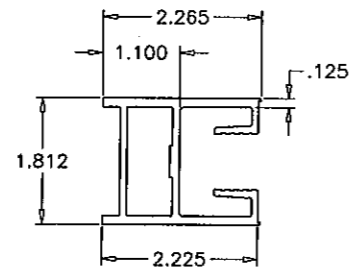
⑫ SILL THRESHOLD TRIM



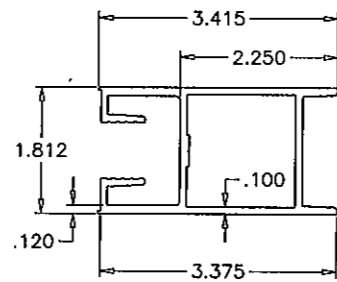
④ PANEL TOP RAIL



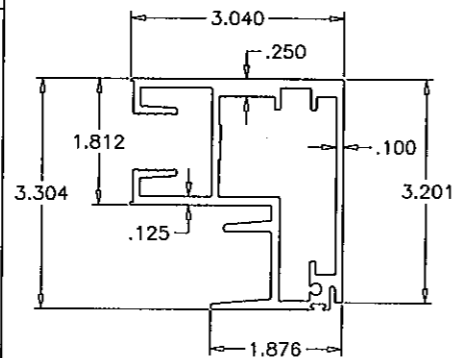
⑤ PANEL BOTTOM RAIL



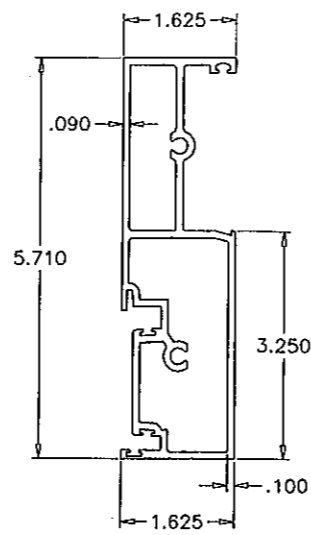
⑥ FIX. PANEL JAMB STILE



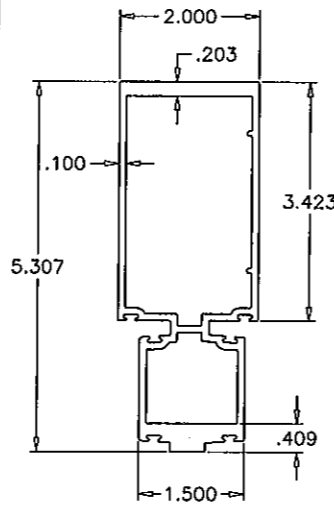
⑦ OPERATING PANEL JAMB STILE



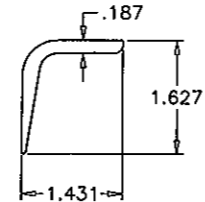
⑧ INTERLOCK STILE



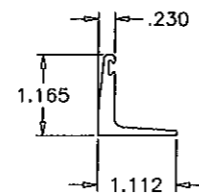
③ FRAME JAMB



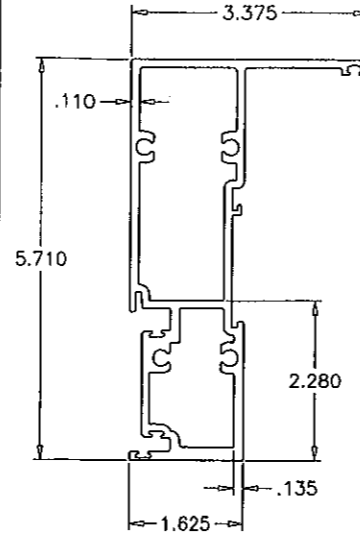
⑨ ASTRAGAL



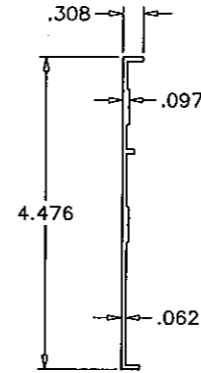
⑬ HEAD ANTI-BLOWOUT CLIP



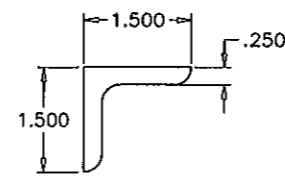
⑭ SILL ANTI-BLOWOUT CLIP



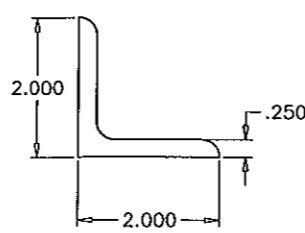
③③ OXO LOCK STILE



②⑨ SHEAR CLIP



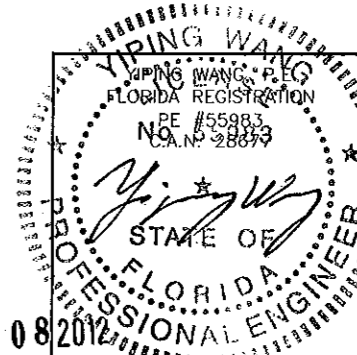
⑮ HEAD ANGLE



⑯ SILL ANGLE

PRODUCT REVISED  
in compliance with the Florida  
Building Code  
Acceptance No. 12-0416'02  
Expiration Date 4/3/18  
By *[Signature]*  
Miami Dade Product Control

MAR 08 2012

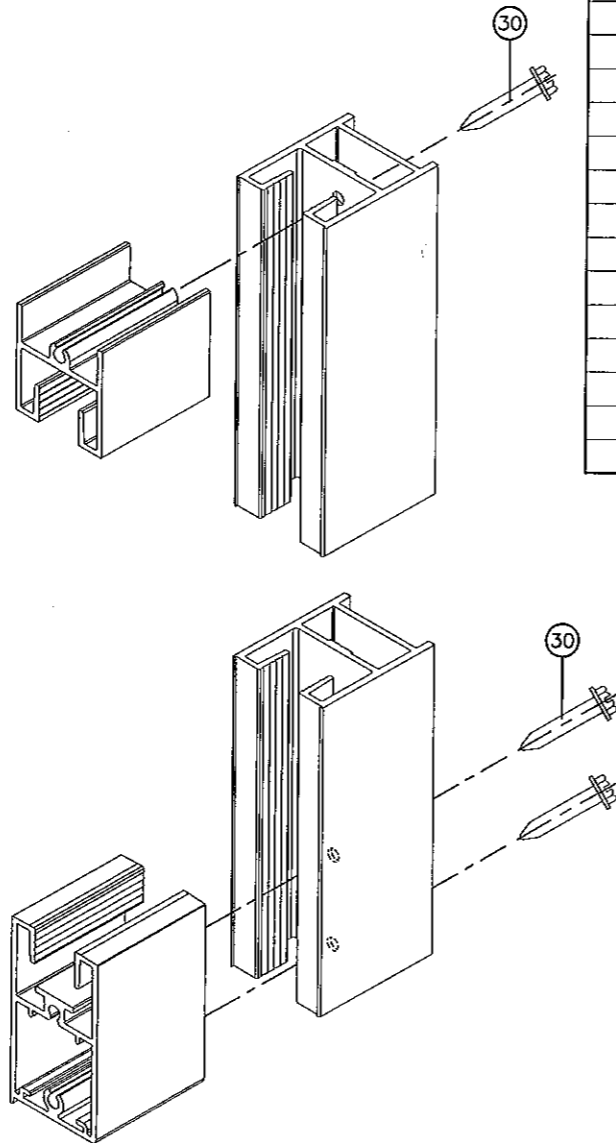
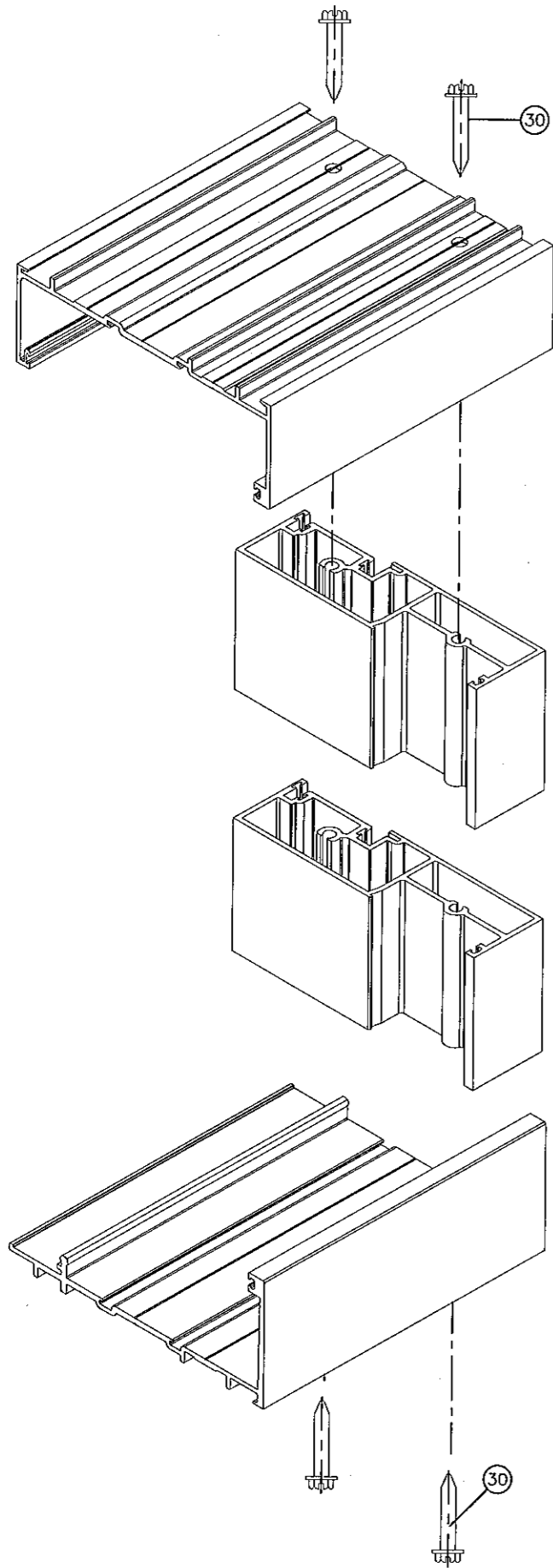


NO.	DATE	DESCRIPTION

**MCY ENGINEERING, INC.**  
GLAZING CONSULTANTS  
8501 SW 124 AVE. STE. 205A  
MIAMI, FL 33183  
P: 305.271.0117  
F: 786.573.5063  
www.MCYEngineering.com  
www.MCYEngineering@Att.net

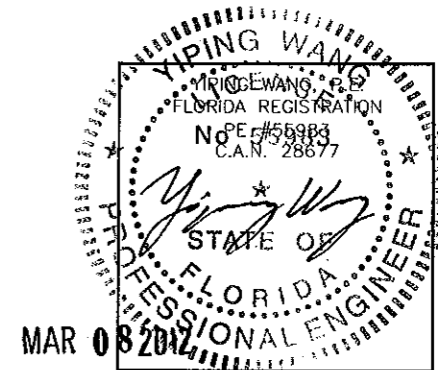
NRAP SERIES 6001 SLIDING GLASS DOOR (L.M.I.)  
NR ARCHITECTURAL PRODUCTS INC.  
4348 WESTROADS DRIVE  
WEST PALM BEACH, FL 33407  
P: (561) 844 - 1121 F: (561) 844 - 6131

DATE	02-20-12
SCALE	AS NOTED
DRAWN	S.L.
PROJECT	12-028
DRAWING NO.	AD12-03
SHEET	6 of 7



ITEM #	PART #	QUANTITY	DESCRIPTION	MATERIAL	MANF./SUPPLIER/REMARKS
1	SD-001	1	FRAME HEAD	6005-T5	-
2	SD-002	1	FRAME SILL	6005-T5	-
3	SD-003	1	FRAME JAMB	6005-T5	-
4	SD-006	2/ PANEL	TOP RAIL	6005-T5	-
5	SD-007	2/ PANEL	BOTTOM RAIL	6005-T5	-
6	SD-008	AS REQD.	FIX. PANEL JAMB STILE	6005-T5	-
7	SD-010	AS REQD.	OPERATING PANEL JAMB STILE	6005-T5	-
8	SD-009	AS REQD.	INTERLOCK STILE	6005-T5	-
9	SD-005	AS REQD.	ASTRAGAL STILE	6005-T5	-
10	SD-011	AS REQD.	FIX. PANEL STOP	6005-T5	-
11	SD-013	-	HEAD TRIM	6005-T5	-
12	SD-012	-	SILL THRESHOLD TRIM	6005-T5	-
13	SD-014	1	HEAD ANTI-BLOWOUT CLIP	6005-T5	AT MOV. PANELS ONLY
14	SD-015	1	SILL ANTI-BLOWOUT CLIP	6005-T5	LENGTH = FRAME WIDTH - 9"
15	NR-A1	-	HEAD REINF. ANGLE	STEEL	7-3/8" LONG
16	NR-A2	-	SILL REINF. ANGLE	STEEL	7-3/8" LONG
17	NR-A3	-	BACK UP PLATE	ALUM	1 X 4 X 1/4"
18	NR-GB	AS REQD.	PRESET GASKET	EPDM SPONGE	TR-15094E
19	NR-G9	AS REQD.	WEDGE GASKET	EPDM 70 DURO	TR-0436E
20	NR-G10	AS REQD.	FINPILE W'STRIPPING (.187W X .260H)	-	-
21	NR-G11	AS REQD.	BULB GASKET	VINYL	Q200T190 Q-LON
22	NR-G12	AS REQD.	FINGER GASKET	-	QEZD 250 Q-LON
23	NR-G14	AS REQD.	GLAZING GASKET (TRIMMED)	70 DURO	TR-15971W
24	NR-G15	AS REQD.	FIX. PANEL SETTING BLOCK	EPDM 80 DURO	4" LONG
25	NR-G16	AS REQD.	DOOR STOP	-	-
26	NR-A4	-	TRACK COVER	ST/ST	-
27	NR-A5	2/ MOV. PANEL	DUAL TANDEM ROLLER ASSEMBLY	ST/ST	DELTA
28	NR-A6	-	FIX. PANEL ANGLE BRACKET	ALUM	3 X 4 X 1/4" X 2-1/2" LONG
29	NR-A7	AS REQD.	SHEAR CLIP CONTINUOUS	6005-T5	-
30	NR-F4	AS REQD.	FRAME/PANEL ASSEMBLY SCREWS	-	1/4-20 X 1-1/2" HWH TC
31	NR-F5	-	HEAD ANTI-BLOWOUT CLIP FASTENERS	-	1/4-20 X 3/4" HWH MS
32	NR-F6	-	SILL ANTI-BLOWOUT CLIP FASTENERS	-	#12 X 1/4" X 1/2" PHP SMS
33	SD-004	AS REQD.	OXO PANEL LOCK STILE	6005-T5	-
34	-	AS REQD.	MULTI POINT LOCK	ST. STEEL	AMESBURY

PRODUCT REVIEWED  
 in compliance with the Florida  
 Building Code  
 Acceptance No. 12-0416-02  
 Expiration Date 4/3/18  
 [Signature]  
 Miami-Dade Product Control



REVISIONS	
NO.	DATE

**MCY**  
**MCY ENGINEERING, INC.**  
 GLAZING CONSULTANTS  
 8501 SW 124 AVE. STE. 205A  
 MIAMI, FL 33183  
 P: 305.271.0117  
 F: 786.573.5063  
 www.MCYEngineering.com  
 MCY.Engineering@Att.net

NRAP SERIES 6001 SLIDING GLASS DOOR (L.M.I.)  
 NR ARCHITECTURAL PRODUCTS INC.  
 4348 WESTROADS DRIVE  
 WEST PALM BEACH, FL 33407  
 P: (561) 844 - 1121 F: (561) 844 - 6131

DATE	02-20-12
SCALE	AS NOTED
DRAWN	S.L.
PROJECT	12-028
DRAWING NO. AD12-03	
SHEET 7 of 7	

NR Architectural Products  
4348 Westroads Drive  
West Palm Beach, FL 33407

**SCOPE:**

This NOA is being issued under the applicable rules and regulations governing the use of construction materials. The documentation submitted has been reviewed and accepted by Miami-Dade County PERA -Product Control Section to be used in Miami Dade County and other areas where allowed by the Authority Having Jurisdiction (AHJ).

This NOA shall not be valid after the expiration date stated below. The Miami-Dade County Product Control Section (In Miami Dade County) and/or the AHJ (in areas other than Miami Dade County) reserve the right to have this product or material tested for quality assurance purposes. If this product or material fails to perform in the accepted manner, the manufacturer will incur the expense of such testing and the AHJ may immediately revoke, modify, or suspend the use of such product or material within their jurisdiction. PERA reserves the right to revoke this acceptance, if it is determined by Miami-Dade County Product Control Section that this product or material fails to meet the requirements of the applicable building code.

This product is approved as described herein, and has been designed to comply with the Florida Building Code, including the High Velocity Hurricane Zone.

**DESCRIPTION: Series "6001" Aluminum Sliding Glass Doors – S.M.I.**

**APPROVAL DOCUMENT:** Drawing No. AD12-04, titled "Series 6001 Alum Sliding Glass Doors – SMP", sheets 1 through 7 of 7, dated MAR 08, 2012, prepared by MCY Engineering, Inc., signed and sealed by Yiping Wang, P. E., bearing the Miami-Dade County Product Control Revision stamp with the Notice of Acceptance number and expiration date by the Miami-Dade County Product Control Section.

**MISSILE IMPACT RATING: Small Missile Impact Resistant**

**LABELING:** Each unit shall bear a permanent label with the manufacturer's name or logo, city, state and series and following statement: "Miami-Dade County Product Control Approved", noted herein.

**RENEWAL** of this NOA shall be considered after a renewal application has been filed and there has been no change in the applicable building code negatively affecting the performance of this product.

**TERMINATION** of this NOA will occur after the expiration date or if there has been a revision or change in the materials, use, and/or manufacture of the product or process. Misuse of this NOA as an endorsement of any product, for sales, advertising or any other purposes shall automatically terminate this NOA. Failure to comply with any section of this NOA shall be cause for termination and removal of NOA.

**ADVERTISEMENT:** The NOA number preceded by the words Miami-Dade County, Florida, and followed by the expiration date may be displayed in advertising literature. If any portion of the NOA is displayed, then it shall be done in its entirety.

**INSPECTION:** A copy of this entire NOA shall be provided to the user by the manufacturer or its distributors and shall be available for inspection at the job site at the request of the Building Official.

This NOA revises & renews NOA # 09-0407.06 and consists of this page 1 and evidence pages E-1, as well as approval document mentioned above.

The submitted documentation was reviewed by **Jaime D. Gascon, P.E.**



*J. Gascon*  
8/3/12

**NOTICE OF ACCEPTANCE: EVIDENCE SUBMITTED**

**A. DRAWINGS**

1. Manufacturer's die drawings and sections (submitted under file # **09-0407.06**)
2. Drawing No. **AD12-04**, titled "Series 6001 Alum Sliding Glass Doors – SMI", sheets 1 through 7 of 7, dated MAR 08, 2012, prepared by MCY Engineering, Inc., signed and sealed by Yiping Wang, P.E.

**B. TESTS (submitted under file # 09-0407.06)**

1. Test reports on:
  - 1) Air Infiltration Test, per FBC, TAS 202-94
  - 2) Uniform Static Air Pressure Test, Loading per FBC TAS 202-94
  - 3) Water Resistance Test, per FBC, TAS 202-94
  - 4) Small Missile Impact Test per FBC, TAS 201-94
  - 5) Cyclic Wind Pressure Loading per FBC, TAS 203-94
  - 6) Forced Entry Test, per FBC 2411 3.2.1, TAS 202-94

Along with marked-up drawings and installation diagram of an alum sliding Glass door, prepared by Hurricane Testing Laboratory, LLC, Test Report No. **HTL 0242-0517-07 (SM140)**, dated 10/17/07, signed and sealed by Vinu J. Abraham, P. E.

**C. CALCULATIONS (submitted under file # 09-0407.06)**

1. Anchor verification calculations and structural analysis, complying with FBC-2007, prepared by Al-Farooq Corporation, dated 11/27/07 and revised on 02/25/09, signed and sealed by late Dr. Humayoun Farooq, P. E.
2. Glazing complies w/ ASTM E-1300-02 & -04

**D. QUALITY ASSURANCE**

1. Miami Dade Department of Permitting, Environment, and Regulatory Affairs (PERA).

**E. MATERIAL CERTIFICATIONS**

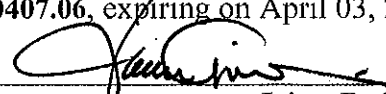
1. Notice of Acceptance No. **11-0624.01** issued to E.I. DuPont DeNemours & Co., Inc. for their "**DuPont's Butacite PVB Interlayer**", expiring on 12/11/16.
2. Notice of Acceptance No. **11-0325.05** issued to Solutia, Inc. for their "**Saflex clear & color Interlayer**", expiring on 05/21/16.
3. TREMCO's EPDM gasket (part# TR-1427) complying w/ ASTM C864, ASTM D-412, ASTM D395D and ASTM D 624.

**F. STATEMENTS**

1. Statement letter of conformance to FBC 2010 and letter of no financial interest dated March 08, 2012, prepared prepared by MCY Engineering, Inc., signed and sealed by Yiping Wang, P.E.
2. Statement letter dated March 01, 2012, of Succeeding Engineer adopting another Engineer's work as her own and responsibilities per Florida Administrative Code, section 61G15-27.001, signed and sealed by Yiping Wang, P.E.
3. Statement letter of conformance to FBC 2007 and letter of no financial interest, prepared by Al Farooq Corporation, dated 02/27/09, signed and sealed by late Dr. Humayoun Farooq, P.E. (submitted under file # **09-0407.06**)
4. Lab compliance as part of the above referenced test report.

**G. OTHER**

1. This NOA **revises & renews** NOA # **09-0407.06**, expiring on April 03, 2013.



Jaime D. Gascon, P.E.  
Product Control Section Supervisor  
NOA No 12-0416.03  
Expiration Date: April 03, 2018  
Approval Date: August 09, 2012

DOORS ARE RATED FOR SMALL MISSILE IMPACT.  
 MIAMI-DADE COUNTY APPROVED IMPACT RESISTANT SHUTTERS ARE  
 REQUIRED FOR INSTALLATIONS UP TO 30 FT. OF GRADE.  
 SHUTTERS NOT REQD. FOR INSTALLATIONS ABOVE 30 FT. OF GRADE.

**SERIES-6001 ALUMINUM SLIDING GLASS DOOR**

DESIGN LOAD RATING FOR DOORS TO BE AS PER CHART SHOWN  
 ON SHEET 2.

THIS PRODUCT HAS BEEN DESIGNED AND TESTED TO COMPLY WITH THE  
 REQUIREMENTS OF THE FLORIDA BUILDING CODE INCLUDING  
 HIGH VELOCITY HURRICANE ZONE (HVHZ).

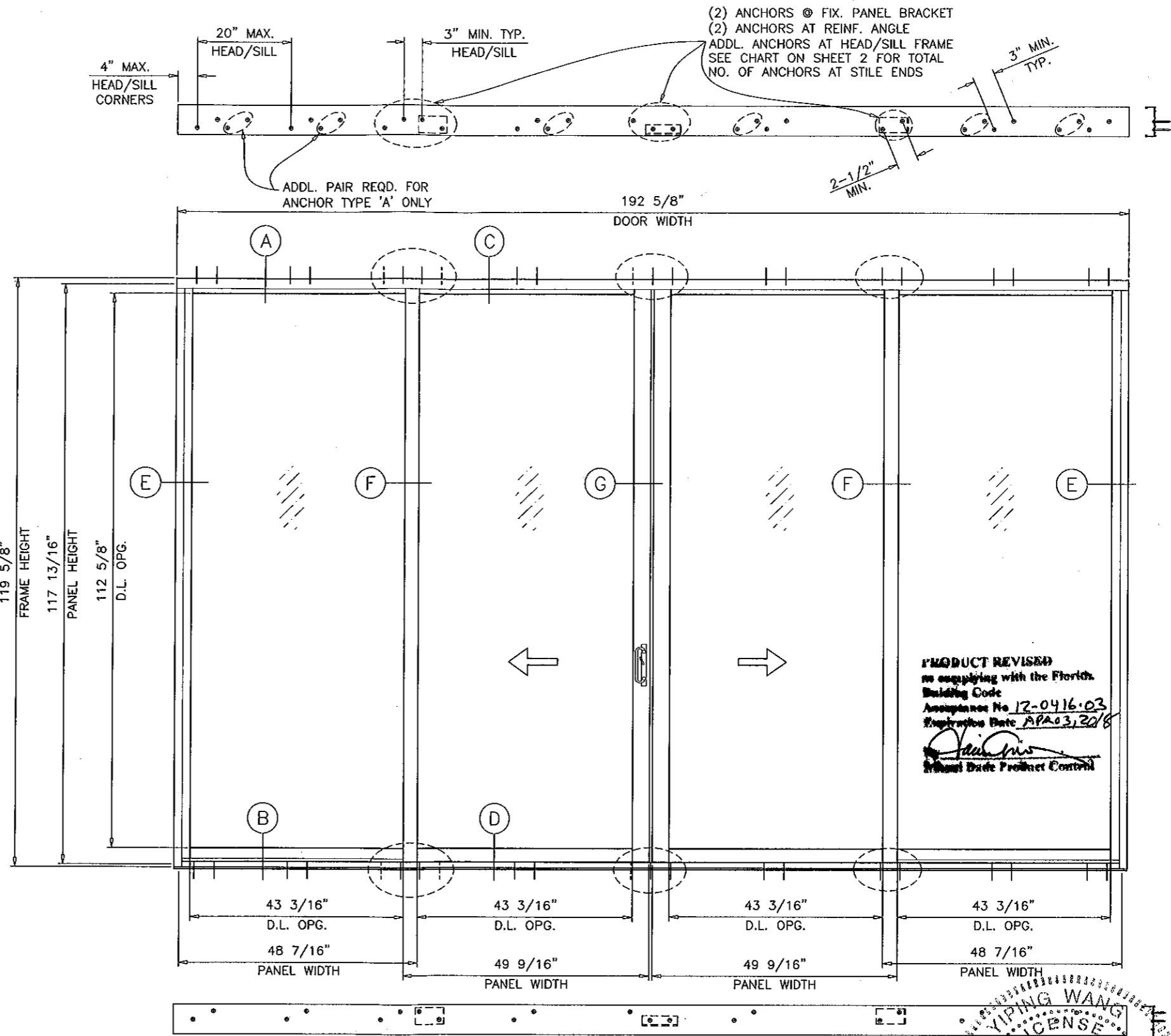
WOOD BUCKS BY OTHERS, MUST BE ANCHORED PROPERLY TO TRANSFER  
 LOADS TO THE STRUCTURE.

ANCHORS SHALL BE AS LISTED, SPACED AS SHOWN ON DETAILS, ANCHORS  
 EMBEDMENT TO BASE MATERIAL SHALL BE BEYOND WALL DRESSING OR STUCCO.

ANCHORING OR LOADING CONDITIONS NOT SHOWN IN THESE DETAILS  
 ARE NOT PART OF THIS APPROVAL.

A LOAD DURATION INCREASE IN ALLOWABLE STRESS IS USED IN DESIGN OF  
 ANCHORS INTO WOOD ONLY.

MATERIALS INCLUDING BUT NOT LIMITED TO STEEL/METAL SCREWS, THAT COME INTO  
 CONTACT WITH OTHER DISSIMILAR MATERIALS SHALL MEET THE REQUIREMENTS  
 OF FLORIDA BUILDING CODE SECTION 2003.8.4



TYPICAL ELEVATION  
 TESTED UNIT

LAMINATED GLASS  
 SMALL MISSILE IMPACT

UNANCHORED JAMBS COMPLY WITH DEFLECTION  
 OF L/180 AND ALLOWABLE STRESS LIMITATION

PRODUCT REVISED  
 to comply with the Florida  
 Building Code  
 Amendment No. 12-0416.03  
 Expiration Date: 03/2018  
*[Signature]*  
 Product Control

YIPING WANG P.E.  
 FLORIDA REGISTRATION  
 PE #55983  
 C.A.N. 28677  
 STATE OF FLORIDA  
 PROFESSIONAL ENGINEER  
 MAR 08 2012

NO.	DATE	DESCRIPTION

**MCY ENGINEERING, INC.**  
 GLAZING CONSULTANTS  
 8501 SW 124 AVE. STE. 205A  
 MIAMI, FL 33183  
 P: 305.271.0117  
 F: 786.573.5063  
 www.MCYEngineering.com  
 MCY.Engineering@Att.net

NRAP SERIES 6001 SLIDING GLASS DOOR (S.M.I.)  
 NR ARCHITECTURAL PRODUCTS INC.  
 4348 WESTROADS DRIVE  
 WEST PALM BEACH, FL 33407  
 P: (561) 844 - 1121 F: (561) 844 - 6131

DATE	02-20-12
SCALE	AS NOTED
DRAWN	S.L.
PROJECT	12-026
DRAWING NO.	AD12-04
SHEET 1 of 7	

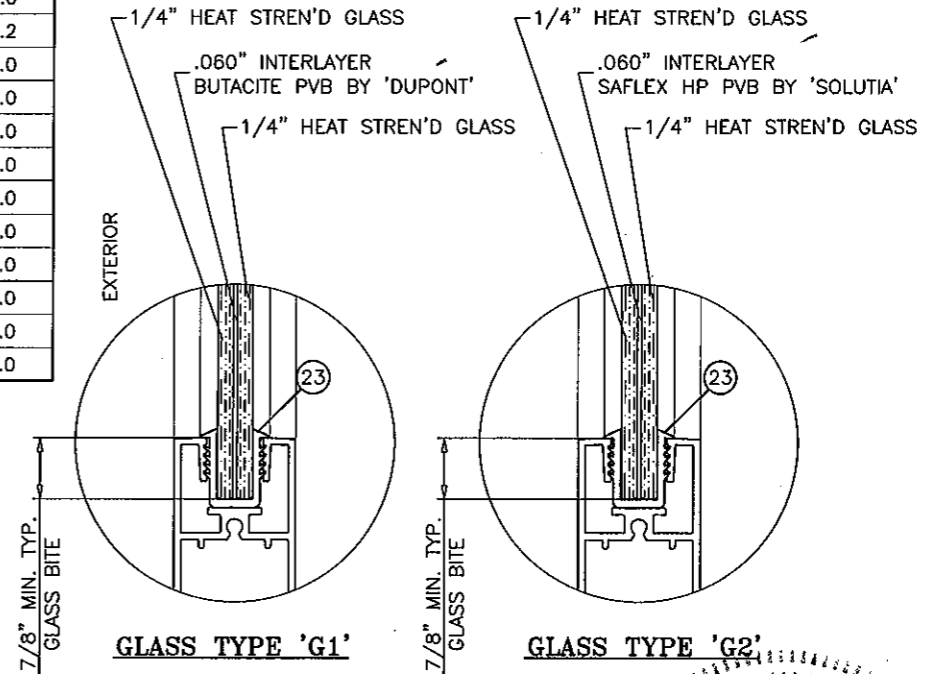
DESIGN LOAD CAPACITY - PSF

PANEL WIDTH NOMINAL INCHES	DOOR HEIGHT INCHES	ANCHORS TYPE 'A'			ANCHORS TYPE 'B'			ANCHORS TYPE 'C'			ANCHORS TYPE 'D'		
		4 ANCHORS	5 ANCHORS	6 ANCHORS	2 ANCHORS	3 ANCHORS	4 ANCHORS	2 ANCHORS	3 ANCHORS	4 ANCHORS	3 ANCHORS	4 ANCHORS	5 ANCHORS
		EXT. (+) INT. (-)	EXT. (+) INT. (-)	EXT. (+) INT. (-)	EXT. (+) INT. (-)	EXT. (+) INT. (-)	EXT. (+) INT. (-)	EXT. (+) INT. (-)	EXT. (+) INT. (-)	EXT. (+) INT. (-)	EXT. (+) INT. (-)	EXT. (+) INT. (-)	EXT. (+) INT. (-)
36	80	117.2	140.0	140.0	137.7	140.0	140.0	140.0	140.0	140.0	140.0	140.0	140.0
42		105.5	131.9	140.0	124.0	140.0	140.0	140.0	140.0	140.0	131.1	140.0	140.0
48		97.3	121.6	140.0	114.3	140.0	140.0	140.0	140.0	140.0	120.9	140.0	140.0
54		91.4	114.2	137.1	107.4	140.0	140.0	132.8	140.0	140.0	113.5	140.0	140.0
60		87.2	109.0	130.8	102.4	138.6	138.6	126.7	138.6	138.6	108.3	140.0	140.0
36	84	110.1	137.6	140.0	129.3	140.0	140.0	140.0	140.0	140.0	136.7	140.0	140.0
42		98.8	123.5	140.0	116.1	140.0	140.0	140.0	140.0	140.0	122.8	140.0	140.0
48		90.8	113.5	136.2	106.7	140.0	140.0	132.0	140.0	140.0	112.8	140.0	140.0
54		85.0	106.2	127.4	99.8	140.0	140.0	123.5	140.0	140.0	105.5	140.0	140.0
60		80.7	100.0	100.0	94.8	100.0	100.0	117.3	100.0	100.0	100.0	100.0	100.0
36	90	100.9	126.1	140.0	118.6	140.0	140.0	140.0	140.0	140.0	125.3	140.0	140.0
42		90.2	112.8	135.4	106.0	140.0	140.0	131.2	140.0	140.0	112.1	140.0	140.0
48		82.5	103.2	123.8	97.0	140.0	140.0	120.0	140.0	140.0	102.5	136.7	140.0
54		76.9	96.1	115.3	90.3	135.5	140.0	111.7	140.0	140.0	95.5	127.3	140.0
60		72.6	90.8	100.0	85.4	100.0	100.0	105.6	100.0	100.0	90.2	100.0	100.0
36	96	93.1	116.4	139.7	109.4	140.0	140.0	135.4	140.0	140.0	115.7	140.0	140.0
42		83.0	103.8	124.5	97.6	140.0	140.0	120.7	140.0	140.0	103.1	137.5	140.0
48		75.7	94.6	113.5	88.9	133.4	140.0	110.0	140.0	140.0	94.0	125.3	140.0
54		70.2	87.7	100.0	82.5	100.0	100.0	102.0	100.0	100.0	87.2	100.0	100.0
60		66.0	82.5	99.1	77.6	100.0	100.0	96.0	100.0	100.0	82.0	100.0	100.0
36	102	86.5	108.1	129.7	101.6	140.0	140.0	125.7	140.0	140.0	107.4	140.0	140.0
42		76.9	96.1	115.3	90.3	135.5	140.0	111.7	140.0	140.0	95.5	127.3	140.0
48		69.8	87.3	104.8	82.1	123.2	133.2	101.5	133.2	133.2	86.8	115.7	133.2
54		64.6	80.7	96.9	75.9	100.0	100.0	93.9	100.0	100.0	80.2	100.0	100.0
36	108	80.7	100.0	100.0	94.8	100.0	100.0	117.3	100.0	100.0	100.0	100.0	100.0
42		71.6	89.5	100.0	84.1	100.0	100.0	104.0	100.0	100.0	88.9	100.0	100.0
48		64.9	81.1	97.3	76.2	100.0	100.0	94.3	100.0	100.0	80.6	100.0	100.0
36	114	75.7	94.6	100.0	88.9	100.0	100.0	110.0	100.0	100.0	94.0	100.0	100.0
42		66.9	83.7	100.0	78.7	100.0	100.0	97.3	100.0	100.0	83.2	100.0	100.0
48		60.5	75.7	90.8	71.1	100.0	100.0	88.0	100.0	100.0	75.2	100.0	100.0
36	120	71.2	89.0	100.0	83.7	100.0	100.0	103.5	100.0	100.0	85.5	100.0	100.0
42		62.9	78.6	94.3	73.9	100.0	100.0	91.4	100.0	100.0	78.1	100.0	100.0
48		56.8	70.9	85.1	66.7	100.0	100.0	82.5	100.0	100.0	70.5	94.2	100.0

NOTE:  
GLASS CAPACITIES ON THIS SHEET ARE  
BASED ON ASTM E1300-04 (3 SEC. GUSTS)  
AND FLORIDA BUILDING COMMISSION  
DECLARATORY STATEMENT DCA05-DEC-219

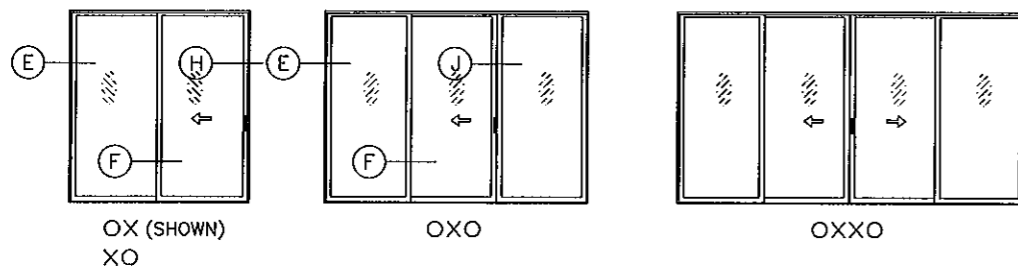
$$\text{PANEL WIDTH NOMINAL} = \frac{\text{DOOR WIDTH}}{\text{NUMBER OF PANELS}}$$

D.L. OPENING  
D.L.O. HEIGHT = PANEL HEIGHT - 5.1875"  
D.L.O. WIDTH FIX. PANEL = PANEL WIDTH - 5.250"  
D.L.O. WIDTH MOV. PANEL = PANEL WIDTH - 6.375"



GLAZING OPTIONS

9/16" OVERALL LAMINATED GLASS



APPROVED CONFIGURATIONS

PRODUCT REVISED  
in compliance with the Florida  
Building Code  
Acceptance No. 12-0416.03  
Expiration Date 4/3/18

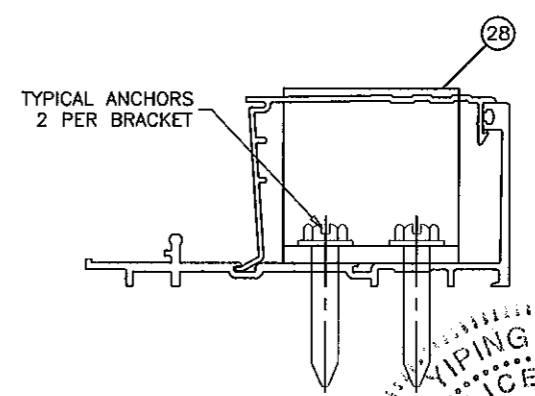
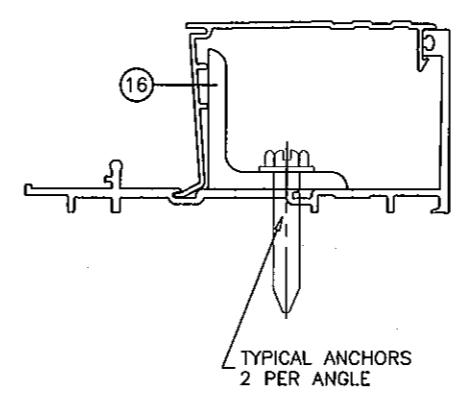
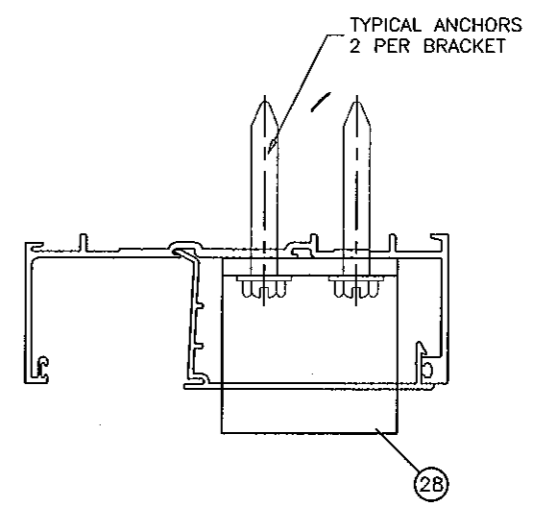
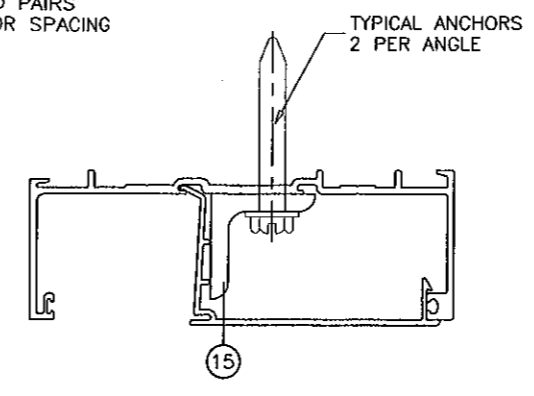
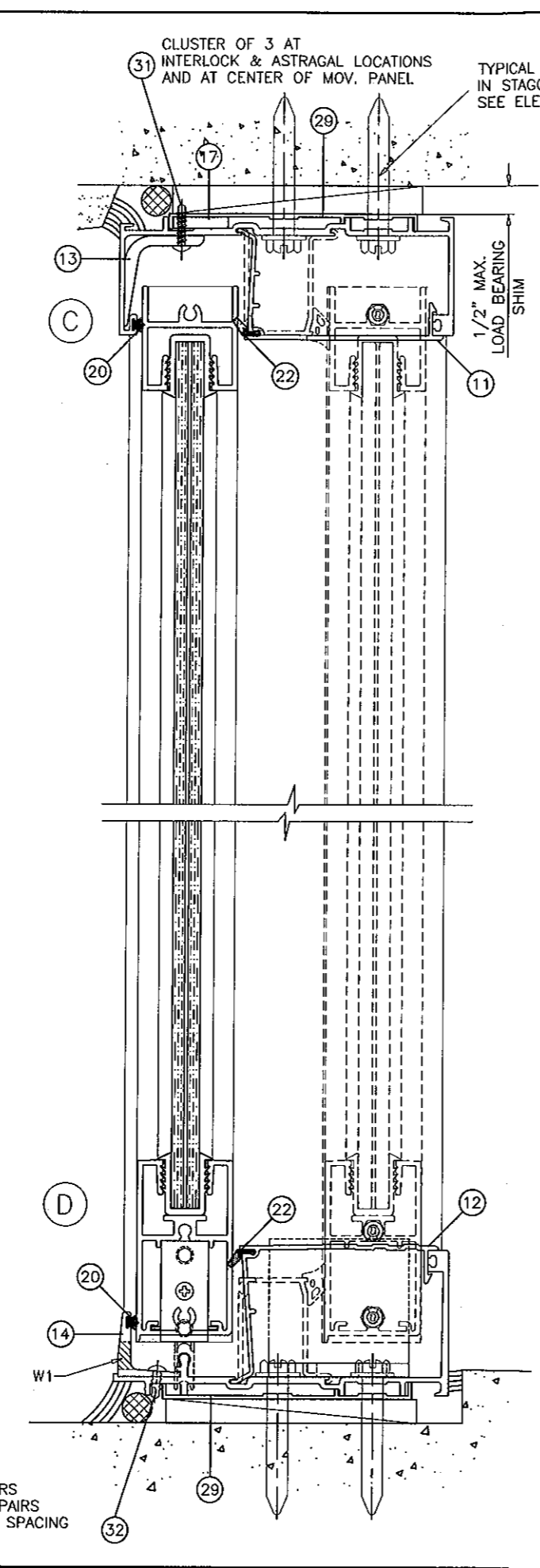
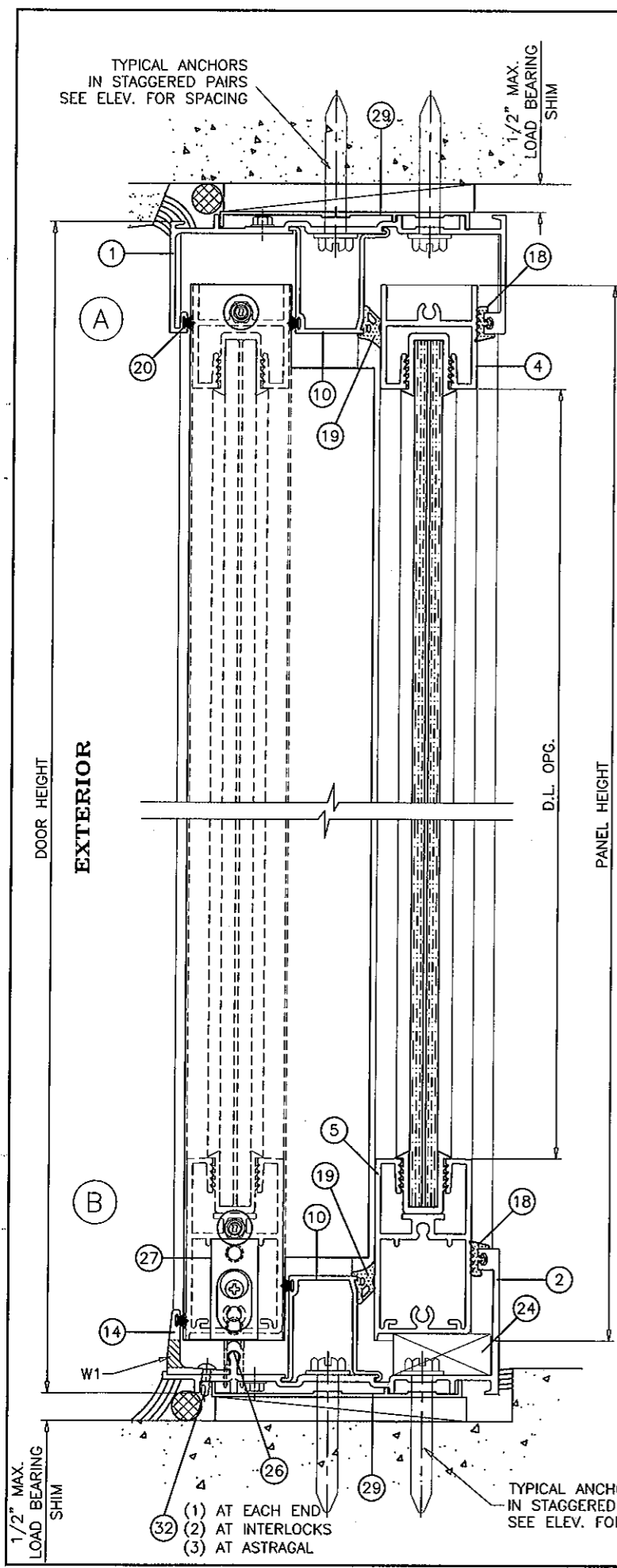
Professional Engineer Seal for Yiping Wang, P.E., License No. 55983, State of Florida. The seal is dated MAR 08 2012.

NO.	DATE	DESCRIPTION

**MCY ENGINEERING, INC.**  
GLAZING CONSULTANTS  
8501 SW 124 AVE. STE. 205A  
MIAMI, FL 33183  
P: 305.271.0117  
F: 786.573.5063  
www.MCYEngineering.com  
www.MCYEngineering@Att.net

NRAP SERIES 6001 SLIDING GLASS DOOR (S.M.I.)  
**NR ARCHITECTURAL PRODUCTS INC.**  
4348 WESTROADS DRIVE  
WEST PALM BEACH, FL 33407  
P: (561) 844 - 1121 F: (561) 844 - 6131

DATE	02-20-12
SCALE	AS NOTED
DRAWN	S.L.
PROJECT	12-028
DRAWING NO.	AD12-04
SHEET	2 of 7



PRODUCT REVISED  
 to comply with the Florida  
 Building Code  
 Acceptance No 12-0416-03  
 Expiration Date 4/31/18  
 [Signature]  
 Miami Code Product Control

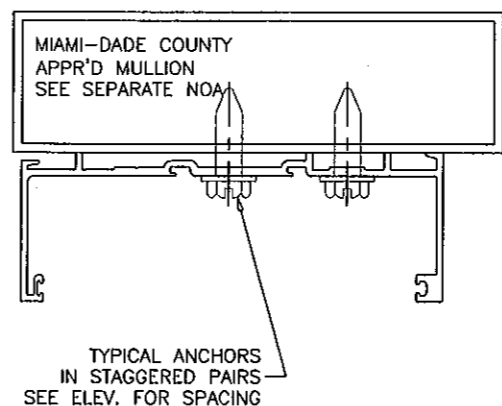
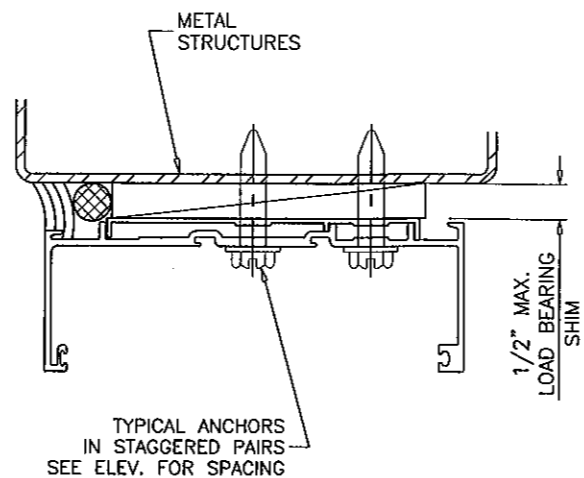
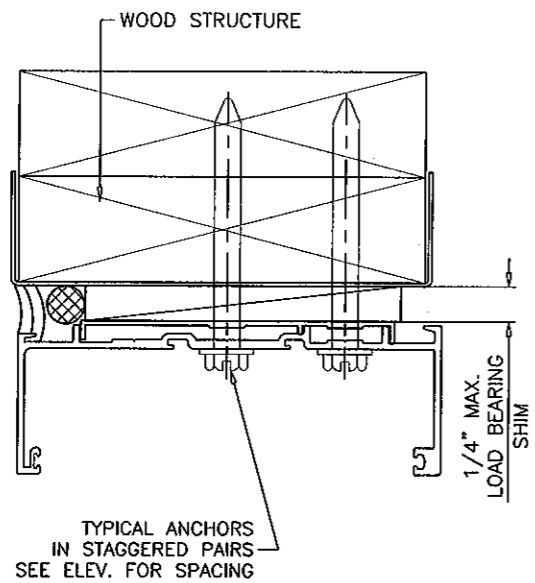
YIPING WANG  
 LICENSE  
 YIPING WANG  
 PE #55983  
 C.A.N. 28677  
 STATE OF FLORIDA  
 PROFESSIONAL ENGINEER  
 MAR 08 2012

NO.	DATE	DESCRIPTION

**MCY ENGINEERING, INC.**  
 GLAZING CONSULTANTS  
 8501 SW 124 AVE. STE. 205A  
 MIAMI, FL 33183  
 P: 305.271.0117  
 F: 786.573.5063  
 www.MCYEngineering.com  
 MCY.Engineering@Att.net

NR ARCHITECTURAL PRODUCTS INC.  
 6001 SLIDING GLASS DOOR (S.M.I.)  
 4348 WESTROADS DRIVE  
 WEST PALM BEACH, FL 33407  
 P: (561) 844 - 1121 F: (561) 844 - 6131

DATE	02-20-12
SCALE	AS NOTED
DRAWN	S.L.
PROJECT	12-028
DRAWING NO.	AD12-04
SHEET 3 of 7	



WOOD BUCKS AND METAL STRUCTURES NOT BY N.R. WDW. MUST SUPPORT LOADS IMPOSED BY GLAZING SYSTEM AND TRANSFER THEM TO THE BUILDING STRUCTURE.

**TYPICAL ANCHORS:** SEE ELEV. FOR SPACING

- TYPE 'A'- 3/8" DIA. LAG SCREWS (Fy = 45 KSI)  
INTO WOOD STRUCTURES  
WITH 2-1/4" MIN. PENETRATION INTO WOOD
- TYPE 'B'- 3/8" DIA. POWERS WEDGE-BOLT ANCHOR  
DIRECTLY INTO CONCRETE (fc' = 3000 PSI MIN.)  
WITH 1-1/2" MIN. EMBED INTO CONC.
- TYPE 'C'- 3/8" DIA. SCREWS GRADE 5  
INTO METAL STRUCTURES  
STEEL : 1/4" THK. MIN. (Fy = 36 KSI MIN.)  
ALUMINUM : 1/4" THK. MIN. (6063-T5 MIN.)  
(STEEL IN CONTACT WITH ALUMINUM TO BE PLATED OR PAINTED)
- TYPE 'D'- 5/16" DIA. TAPCON BY 'ITW' (Fu = 120 KSI, Fy = 92 KSI)  
INTO WOOD STRUCTURES  
WITH 2-1/4" MIN. PENETRATION INTO WOOD  
**ANCHOR EDGE DISTANCES**  
INTO CONCRETE = 3" MIN.  
INTO WOOD STRUCTURE = 1-1/2" MIN.  
INTO METAL STRUCTURE = 1" MIN.

**SEALANTS:**

ALL FRAME CORNERS AND JOINTS SEALED WITH DOW-795 OR TREMCO SPECTREM 2 SILICONE SEALANT.

**WEEPHOLES:**

- W1 = 1-1/2" X 1/2" WEEP SLOTS
  - (1) AT CENTER OF EACH PANEL
  - (1) AT EACH SIDE OF INTERLOCK
  - (1) AT ASTRAGAL STILE

**PRODUCT REVIEWED**  
as complying with the Florida  
Building Code  
Acceptance No. 12-0416-03  
Expiration Date 4/3/18  
*[Signature]*  
Miami Dade Product Control

YIPING WANG  
LICENSE  
YIPING WANG, P.E.  
FLORIDA REGISTRATION  
PE #55983  
C.A.N. #28677  
STATE OF  
PROFESSIONAL ENGINEER  
MAR 08 2012

NO.	DATE	DESCRIPTION

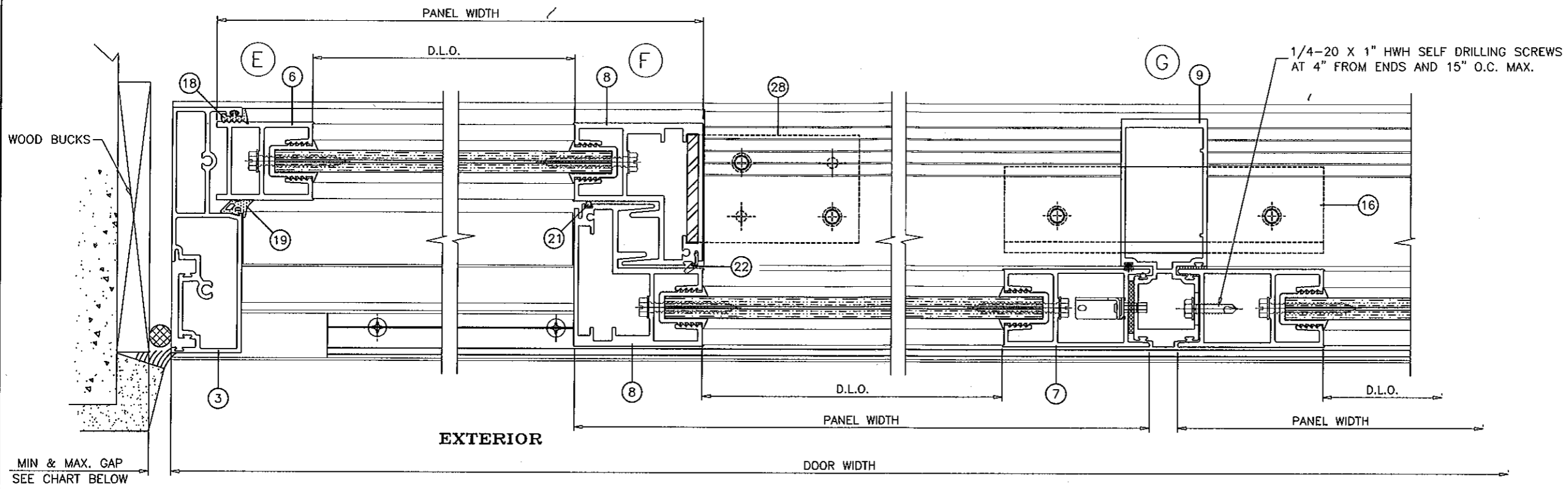
**MCY ENGINEERING, INC.**  
GLAZING CONSULTANTS  
8501 SW 124 AVE. STE. 205A P: 305.271.0117  
MIAMI, FL 33183 F: 786.573.5063  
www.MCYEngineering.com MCY.Engineering@Att.net

NRAP SERIES 6001 SLIDING GLASS DOOR (S.M.I.)  
NR ARCHITECTURAL PRODUCTS INC.  
4348 WESTROADS DRIVE  
WEST PALM BEACH, FL 33407  
P: (561) 844-1121 F: (561) 844-6131

DATE	02-20-12
SCALE	AS NOTED
DRAWN	S.L.
PROJECT	12-028

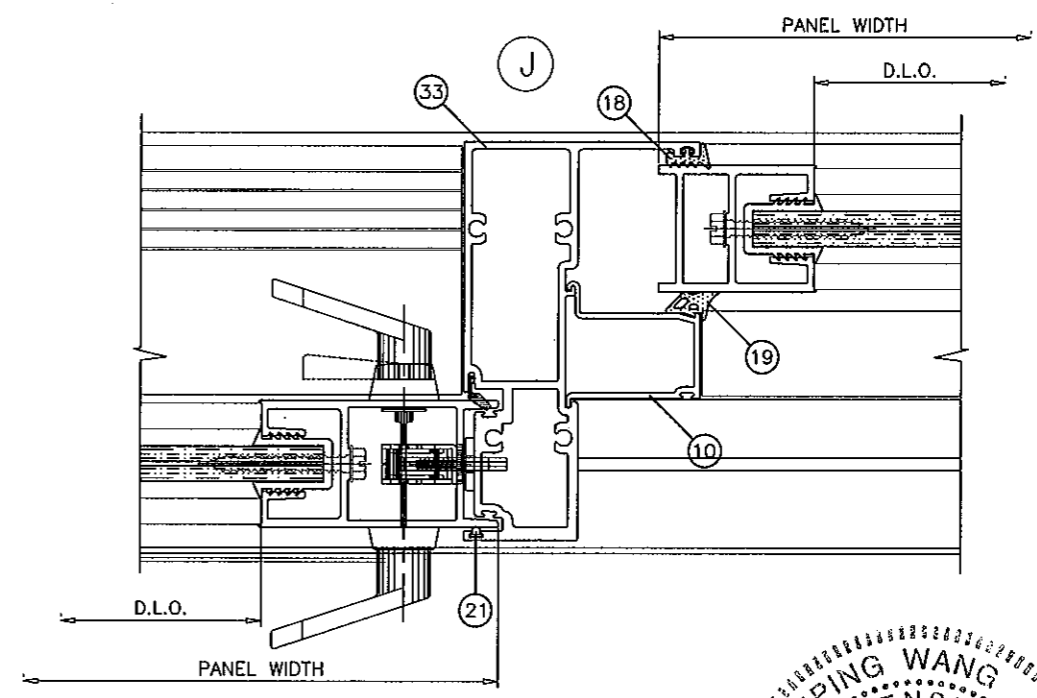
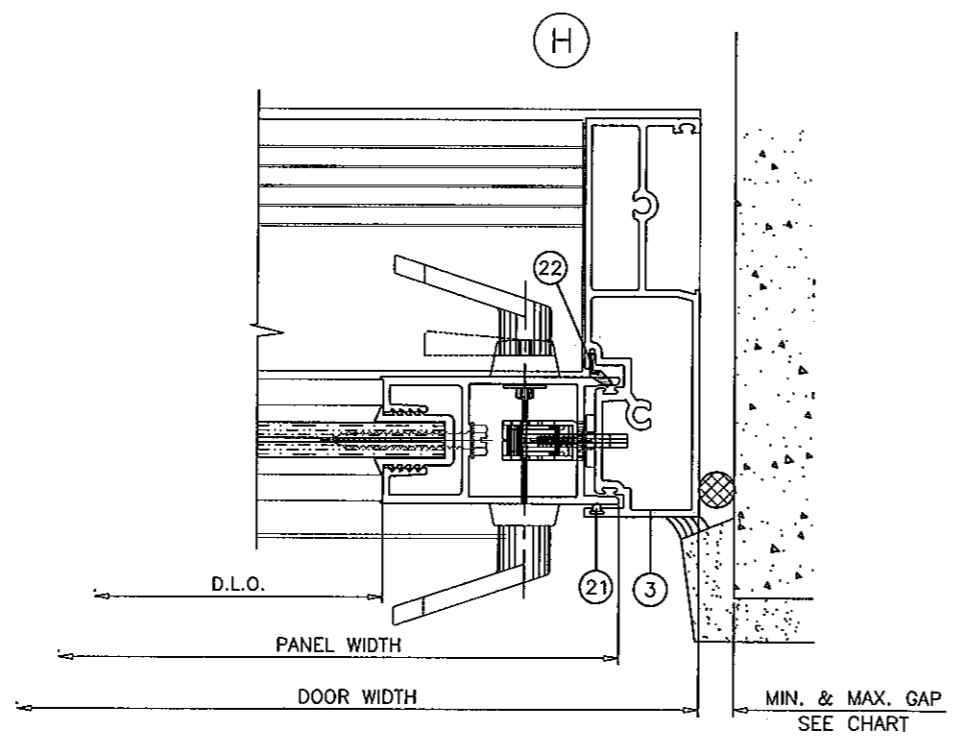
DRAWING NO.  
AD12-04  
SHEET 4 of 7



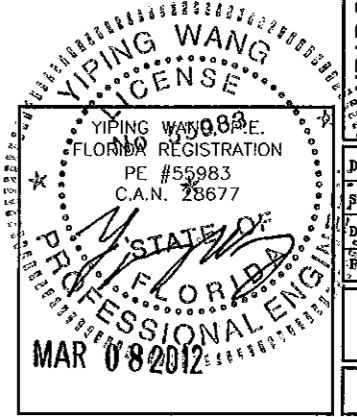


MIN & MAX. GAP  
SEE CHART BELOW

MAX. FRAME HEIGHT	GAP	
	MIN.	MAX.
114"	3/8"	1/2"
119 5/8"	1/2"	3/4"



**PRODUCT REVISED**  
to comply with the Florida  
Building Code  
Adoption No 12-0416-03  
Effective Date 4/3/18  
*[Signature]*  
Product Control



NO.	DATE	DESCRIPTION

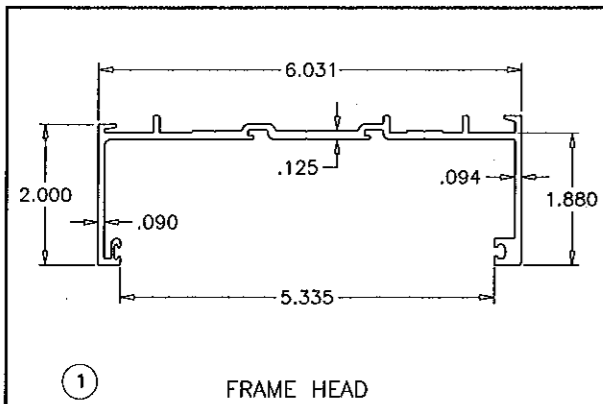
**MCY**  
**MCY ENGINEERING, INC.**  
GLAZING CONSULTANTS  
8501 SW 124 AVE. STE. 205A  
MIAMI, FL 33183  
P: 305.271.0117  
F: 786.573.5063  
www.MCYEngineering.com  
MCYEngineering@Att.net

**NR ARCHITECTURAL PRODUCTS INC.**  
6001 SLIDING GLASS DOOR (S.M.I.)  
4348 WESTROADS DRIVE  
WEST PALM BEACH, FL 33407  
P: (561) 844-1121 F: (561) 844-6131

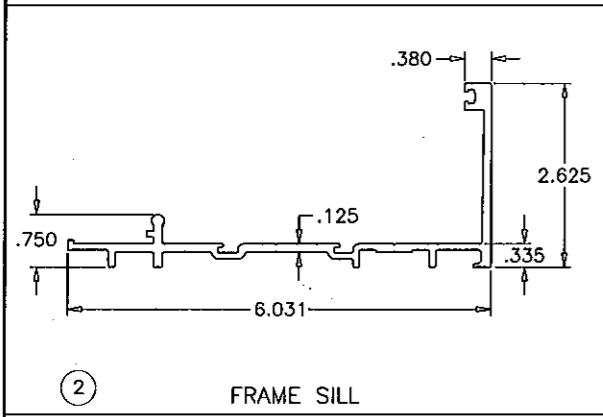
DATE	02-20-12
SCALE	AS NOTED
DRAWN	S.L.
PROJECT	12-026

DRAWING NO.  
AD12-04

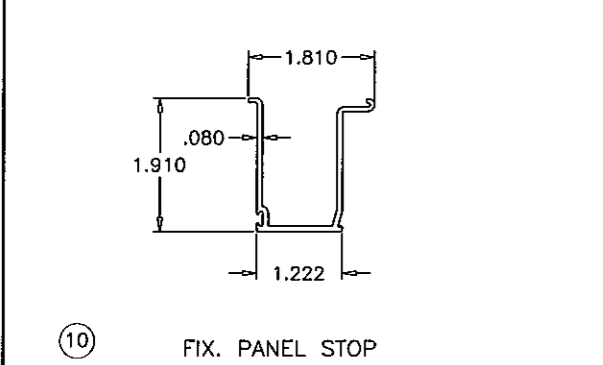
SHEET 5 of 7



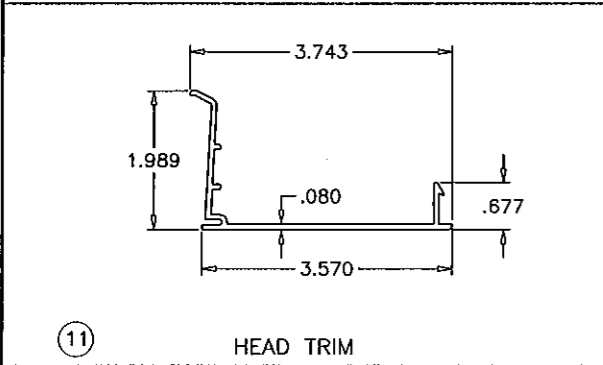
① FRAME HEAD



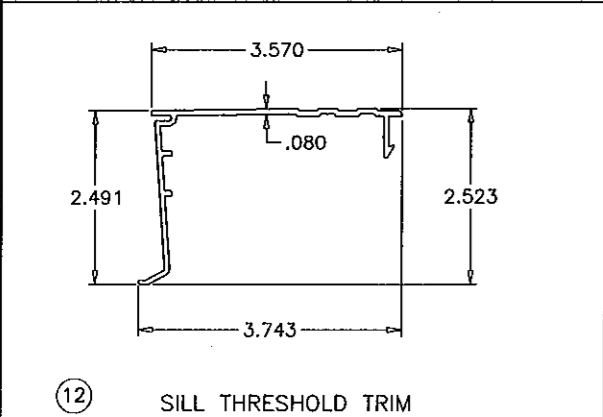
② FRAME SILL



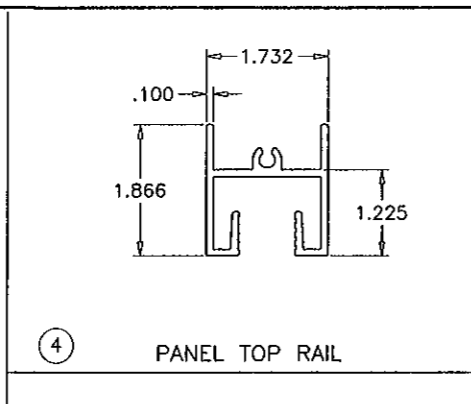
⑩ FIX. PANEL STOP



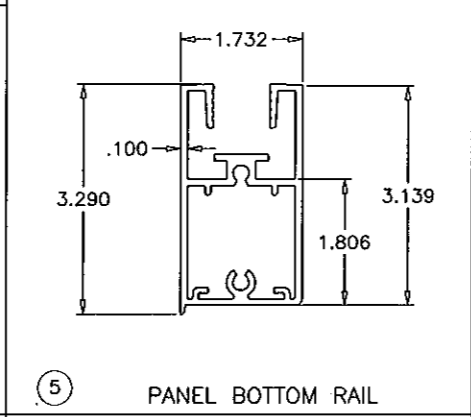
⑪ HEAD TRIM



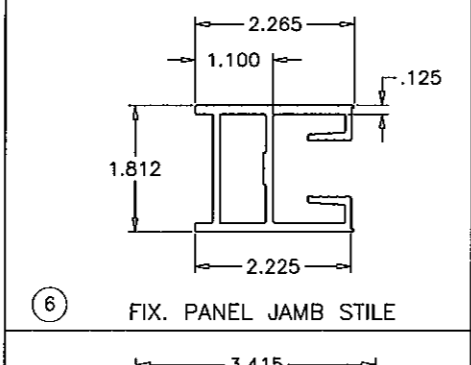
⑫ SILL THRESHOLD TRIM



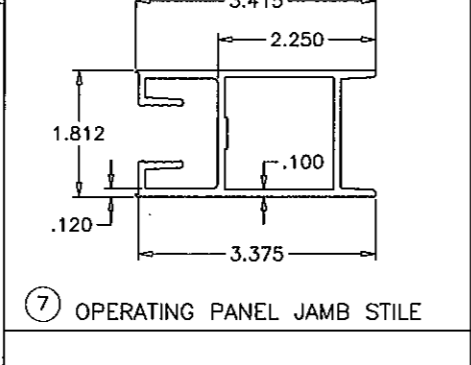
④ PANEL TOP RAIL



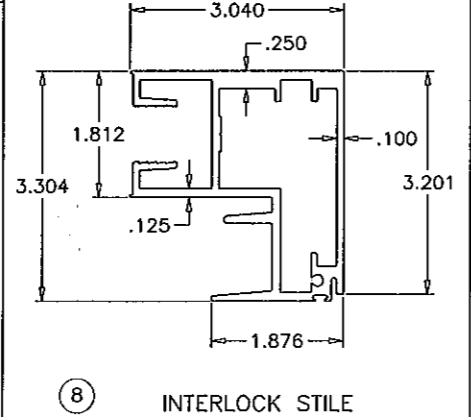
⑤ PANEL BOTTOM RAIL



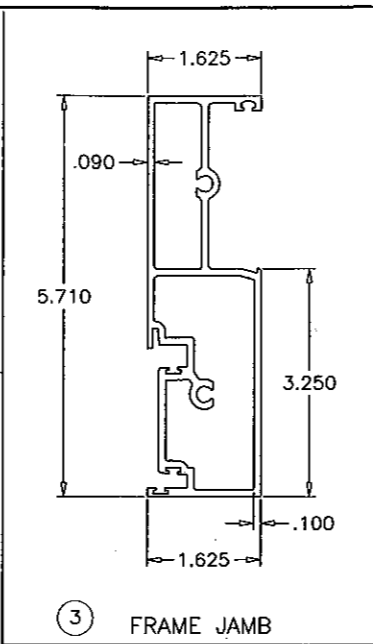
⑥ FIX. PANEL JAMB STILE



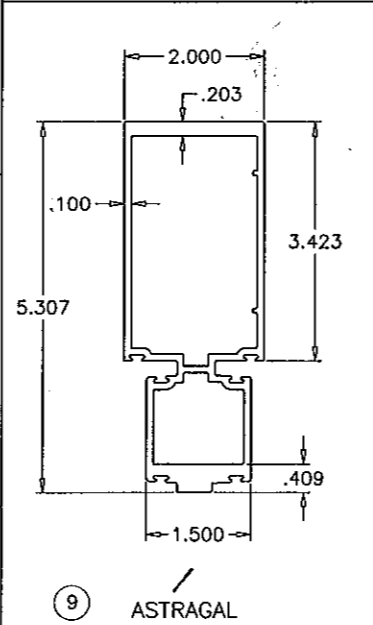
⑦ OPERATING PANEL JAMB STILE



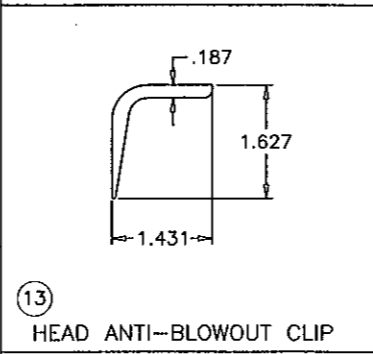
⑧ INTERLOCK STILE



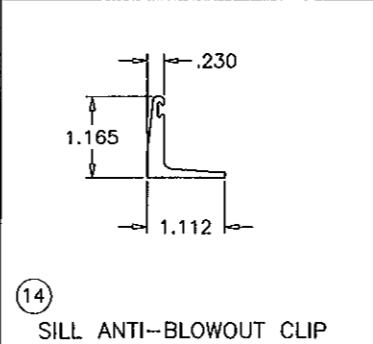
③ FRAME JAMB



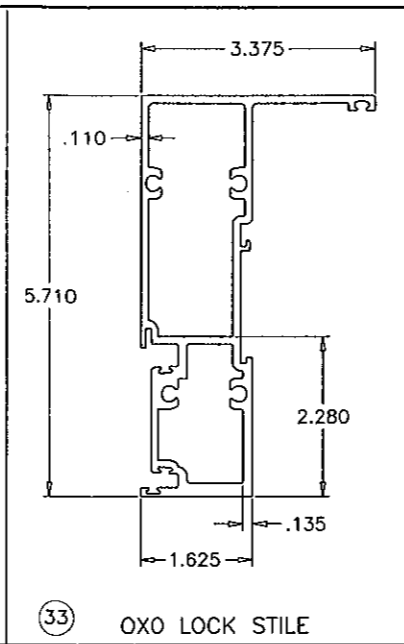
⑨ ASTRAGAL



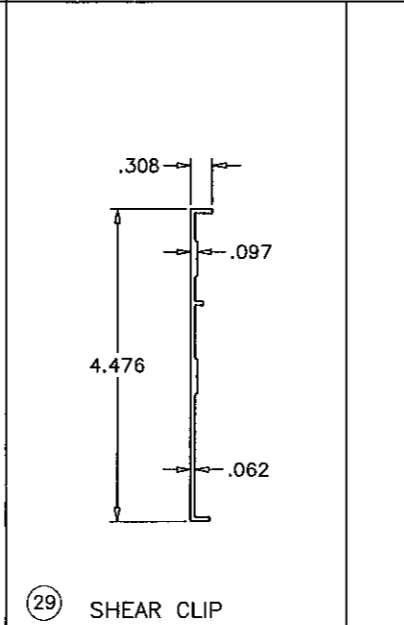
⑬ HEAD ANTI-BLOWOUT CLIP



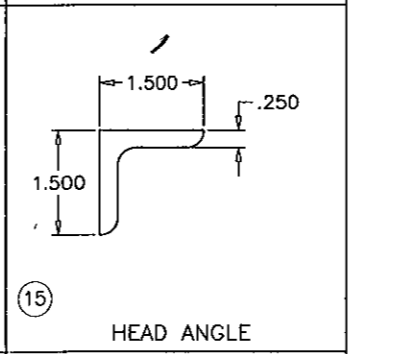
⑭ SILL ANTI-BLOWOUT CLIP



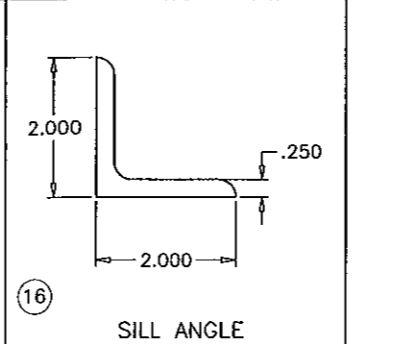
③③ OXO LOCK STILE



②⑨ SHEAR CLIP

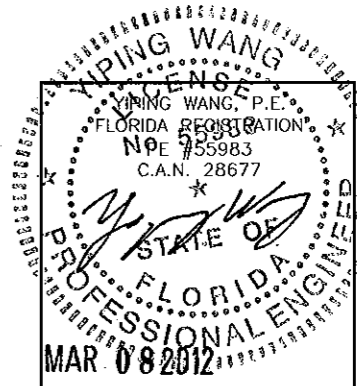


⑮ HEAD ANGLE



⑮ SILL ANGLE

PRODUCT REVISED  
 in compliance with the Florida  
 Building Code  
 Amendment No. 12-0416-03  
 Effective Date 4/3/18  
 By: [Signature]  
 Manual Date Product Control

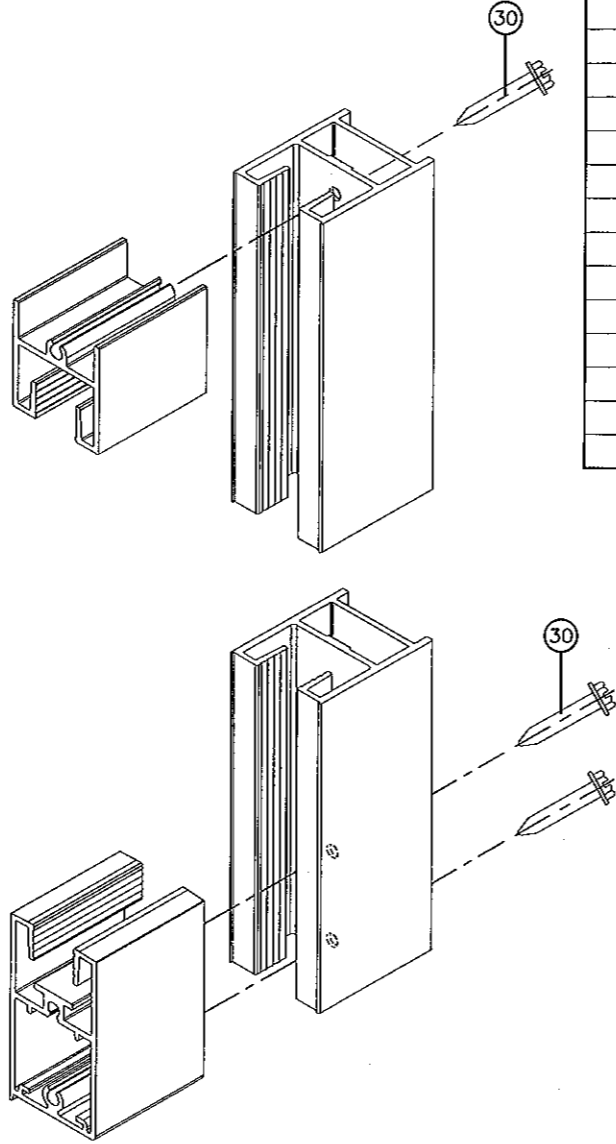
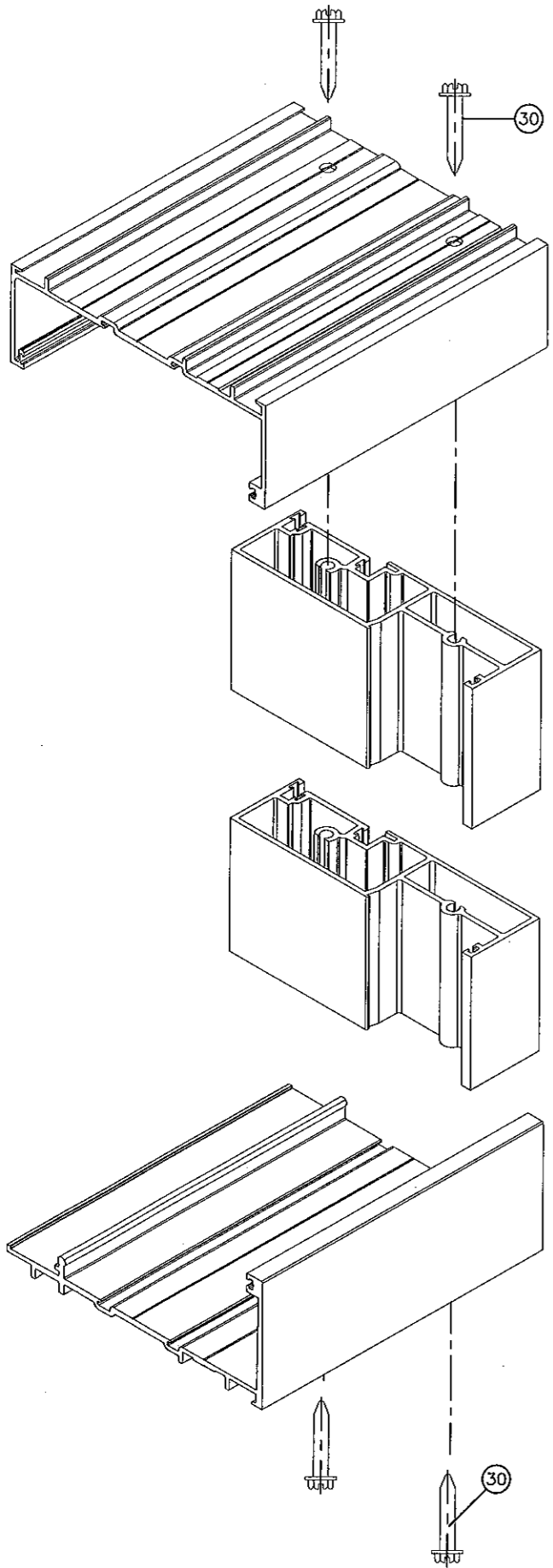


NO.	DATE	REVISIONS DESCRIPTION

**MCY ENGINEERING, INC.**  
 GLAZING CONSULTANTS  
 8501 SW 124 AVE. STE. 205A  
 MIAMI, FL 33183  
 P: 305.271.0117  
 F: 786.573.5063  
 www.MCYEngineering.com  
 MCY.Engineering@Att.net

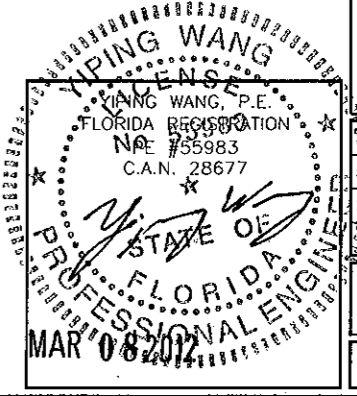
NRAP SERIES 6001 SLIDING GLASS DOOR (S.M.I.)  
 NR ARCHITECTURAL PRODUCTS INC.  
 4348 WESTROADS DRIVE  
 WEST PALM BEACH, FL 33407  
 P: (561) 844 - 1121 F: (561) 844 - 6131

DATE	02-20-12
SCALE	AS NOTED
DRAWN	S.L.
PROJECT	12-026
DRAWING NO. AD12-04	
SHEET 6 of 7	



ITEM #	PART #	QUANTITY	DESCRIPTION	MATERIAL	MANF./SUPPLIER/REMARKS
1	SD-001	1	FRAME HEAD	6005-T5	-
2	SD-002	1	FRAME SILL	6005-T5	-
3	SD-003	1	FRAME JAMB	6005-T5	-
4	SD-006	2/ PANEL	TOP RAIL	6005-T5	-
5	SD-007	2/ PANEL	BOTTOM RAIL	6005-T5	-
6	SD-008	AS REQD.	FIX. PANEL JAMB STILE	6005-T5	-
7	SD-010	AS REQD.	OPERATING PANEL JAMB STILE	6005-T5	-
8	SD-009	AS REQD.	INTERLOCK STILE	6005-T5	-
9	SD-005	AS REQD.	ASTRAGAL STILE	6005-T5	-
10	SD-011	AS REQD.	FIX. PANEL STOP	6005-T5	-
11	SD-013	-	HEAD TRIM	6005-T5	-
12	SD-012	-	SILL THRESHOLD TRIM	6005-T5	-
13	SD-014	1	HEAD ANTI-BLOWOUT CLIP	6005-T5	AT MOV. PANELS ONLY
14	SD-015	1	SILL ANTI-BLOWOUT CLIP	6005-T5	LENGTH = FRAME WIDTH - 9"
15	NR-A1	-	HEAD REINF. ANGLE	STEEL	7-3/8" LONG
16	NR-A2	-	SILL REINF. ANGLE	STEEL	7-3/8" LONG
17	NR-A3	-	BACK UP PLATE	ALUM	1 X 4 X 1/4"
18	NR-G8	AS REQD.	PRESET GASKET	EPDM SPONGE	TR-15094E
19	NR-G9	AS REQD.	WEDGE GASKET	EPDM 70 DURO	TR-0436E
20	NR-G10	AS REQD.	FINPILE W'STRIPPING (.187W X .260H)	-	-
21	NR-G11	AS REQD.	BULB GASKET	VINYL	Q200T190 Q-LON
22	NR-G12	AS REQD.	FINGER GASKET	-	QEZD 250 Q-LON
23	NR-G13	AS REQD.	GLAZING GASKET	80 DURO	TR-15292W
24	NR-G15	AS REQD.	FIX. PANEL SETTING BLOCK	EPDM 80 DURO	4" LONG
25	NR-G16	AS REQD.	DOOR STOP	-	-
26	NR-A4	-	TRACK COVER	ST/ST	-
27	NR-A5	2/ MOV. PANEL	DUAL TANDEM ROLLER ASSEMBLY	ST/ST	DELTA
28	NR-A6	-	FIX. PANEL ANGLE BRACKET	ALUM	3 X 4 X 1/4" X 2-1/2" LONG
29	NR-A7	AS REQD.	SHEAR CLIP CONTINUOUS	6005-T5	-
30	NR-F4	AS REQD.	FRAME/PANEL ASSEMBLY SCREWS	-	1/4-20 X 1-1/2" HWH TC
31	NR-F5	-	HEAD ANTI-BLOWOUT CLIP FASTENERS	-	1/4-20 X 3/4" HWH MS
32	NR-F6	-	SILL ANTI-BLOWOUT CLIP FASTENERS	-	#12 X 1/4" X 1/2" PHP SMS
33	SD-004	AS REQD.	OXO PANEL LOCK STILE	6005-T5/	-
34	-	AS REQD.	MULTI POINT LOCK	ST. STEEL	AMESBURY

PRODUCT REVISED  
 as complying with the Florida  
 Building Code  
 Acceptance No 12-0416-03  
 Expiration Date APR 03, 2018  
  
 Philip Wang, P.E.  
 Manual Build Product Control



REVISIONS	
NO.	DATE
DESCRIPTION	
 <b>MCY ENGINEERING, INC.</b> GLAZING CONSULTANTS 8501 SW 124 AVE. STE. 205A MIAMI, FL 33183 P: 305.271.0117 F: 786.573.5063 www.MCYEngineering.com MCY.Engineering@Att.net	
<b>NRAP SERIES 6001 SLIDING GLASS DOOR (S.M.I.)</b> <b>NR ARCHITECTURAL PRODUCTS INC.</b> 4348 WESTROADS DRIVE WEST PALM BEACH, FL 33407 P: (561) 844-1121 F: (561) 844-6131	
DATE	02-20-12
SCALE	AS NOTED
DRAWN	S.L.
PROJECT	12-026
DRAWING NO. AD12-04	
SHEET 7 of 7	